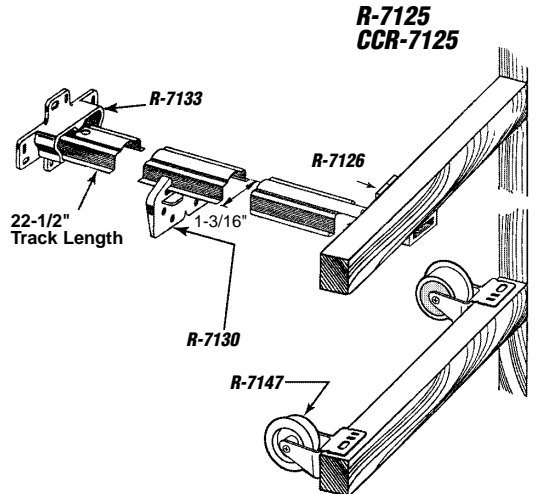


The following pages offer  
a comprehensive selection of:

## Drawer and Cabinet HARDWARE



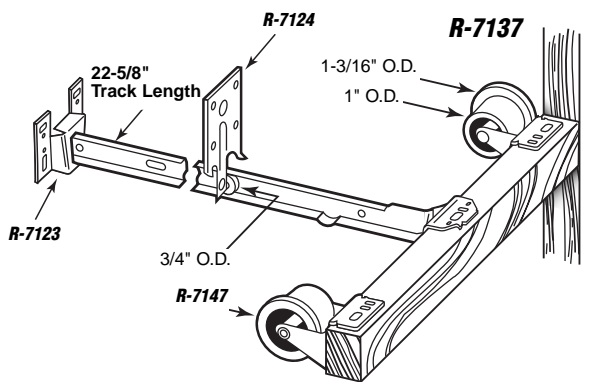
### R-7125 CCR-7125 (30 per display box)

#### Rolled Edge Drawer Track Kit

**Contents:** 1 track; 1 front plate; 1 back plate; 1 drawer guide; 2 front rollers; 1 set of installation fasteners.

**Description:** Rolled edge **galvanized steel** track; **polyethylene** guides; **nylon** front rollers; components designed for superior strength and smooth operation; may be used for top or bottom mount installations.

**Note:** 22-1/2" long track may be cut down to fit shorter drawer applications.



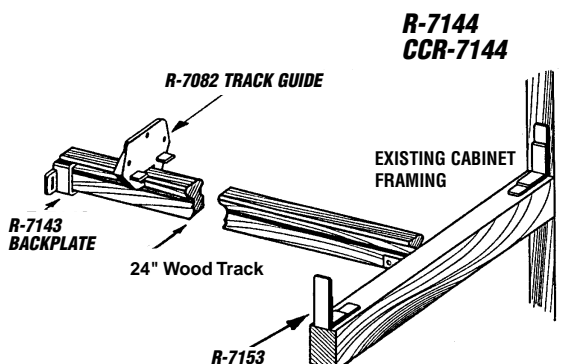
### R-7137

#### Monorail Drawer Track Kit

**Contents:** 1 track; 1 roller guide; 1 rear mount bracket; 1 left hand roller; 1 right hand roller; 1 set of installation fasteners.

**Description:** **Galvanized steel** track and rear support bracket; **nylon** rollers; 75 lb. test rated; requires 1-1/4" clearance for installation; may be top or bottom mounted.

**Note:** 22-5/8" long track may be cut down to fit shorter drawer applications.



### R-7144 CCR-7144 (30 per display box)

#### Wood Drawer Track Kit

**Contents:** 1 wood track; 1 drawer guide; 1 back plate; 2 "L" angles; 2 side saddles; 1 set of installation fasteners.

**Description:** **Wood** track; **polyethylene** guides and side saddles; **steel** angle brackets support front end of track; designed to replace most wood track systems; may be used for top or bottom mount installations; restores smooth operation to track mounted drawers.

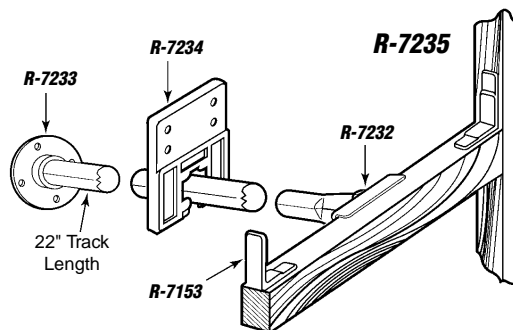
**Note:** 24" long track may be cut down to fit shorter drawer applications.

## R-7235

### Tubular Drawer Track Kit

**Contents:** 1 track; 1 front plate; 1 back plate; 1 drawer guide; 2 side saddles; 1 set of installation hardware.

**Description:** White powder coated cylindrical track; white polyethylene guide and side saddles; plastic support brackets; stop notch prevents drawer from being accidentally pulled out.



**R-7210** (16" Length)

**R-7211** (18" Length)

**R-7212** (20" Length)

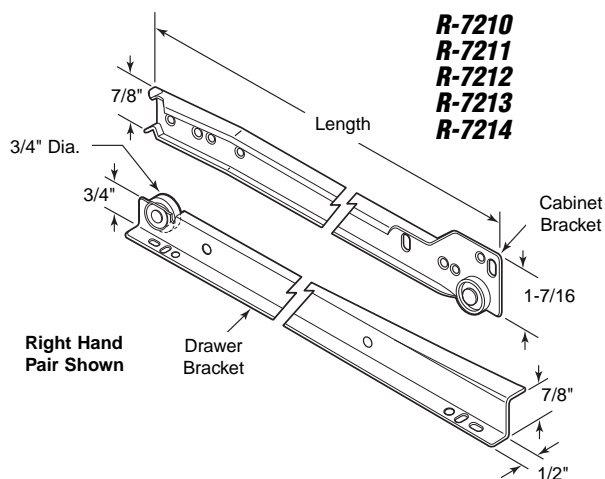
**R-7213** (22" Length)

**R-7214** (24" Length)

### Drawer Slide Kit

**Contents:** 1 left hand pair; 1 right hand pair; 1 set of installation hardware.

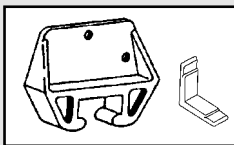
**Description:** Powder coated steel tracks with nylon rollers; positive stop in closed position; double stop in extended position locks drawer open; self-closing 2-1/2" from end; rollers are captive on one side to reduce side play; drawer lifts out for easy removal.



**R-7082** (Carded)

**CCSC-7156** (100 bulk)

**CCBP-7156** (50 bulk)



### Drawer Track Guide Kit

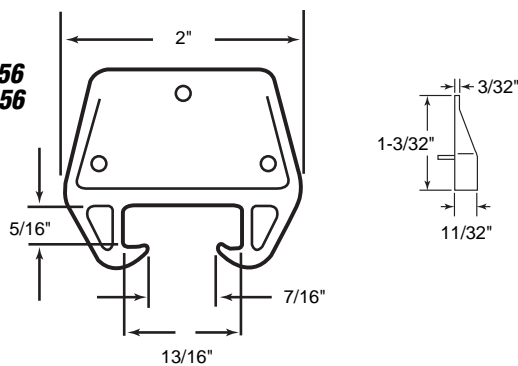
**Contents: Carded** - 1 guide; 2 side saddles; 1 set of installation fasteners.

**Bulk** - Guides only in display box.

**Description:** Red polyethylene guide and white polyethylene side saddles; restores smooth operation of track mounted drawers.

**Note:** Fits a 9/32" x 3/4" track.

**R-7082**  
**CCSC-7156**  
**CCBP-7156**



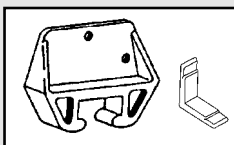
## R-7223

### Drawer Track Guide Kit

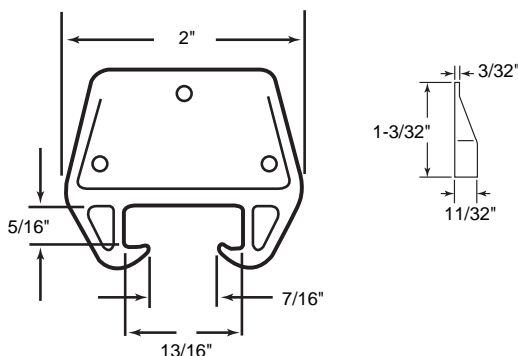
**Contents: Carded** - 2 guides; 4 side saddles; 2 sets of installation fasteners.

**Description:** White polyethylene guide with no back alignment tabs; white polyethylene side saddles; restores smooth operation of track mounted drawers.

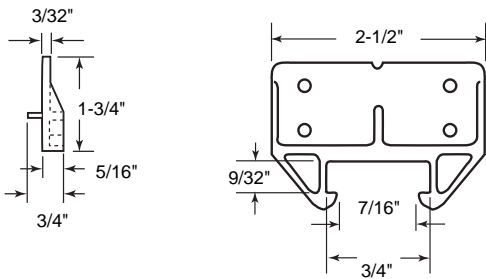
**Note:** Fits a 9/32" x 3/4" track.



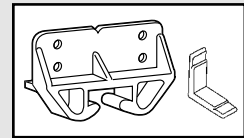
**R-7223**



**R-7083**  
**CCSC-7157**  
**CCBP-7157**



**R-7083** (Carded)  
**CCSC-7157** (100 bulk)  
**CCBP-7157** (50 bulk)



**Drawer Track Guide Kit**

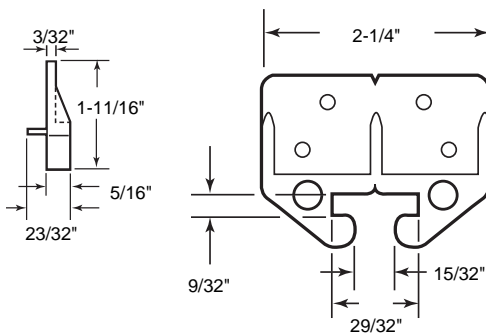
**Contents:** Carded - 1 guide; 2 side saddles; 1 set of installation fasteners.

**Bulk** - Guides only in display box.

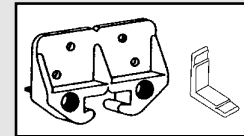
**Description:** Blue polyethylene guide and white polyethylene side saddles; restores smooth operation of track mounted drawers.

**Note:** Fits a 1/4" x 3/4" track.

**R-7084**  
**CCSC-7158**  
**CCBP-7158**



**R-7084** (Carded)  
**CCSC-7158** (100 bulk)  
**CCBP-7158** (50 bulk)



**Drawer Track Guide Kit**

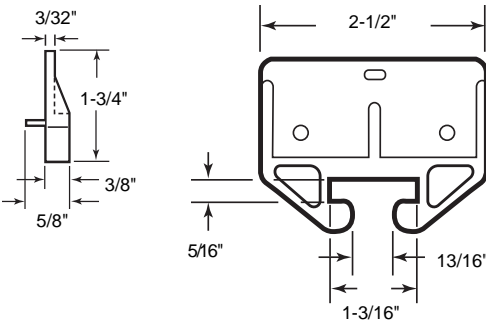
**Contents:** Carded - 1 guide; 2 side saddles; 1 set of installation fasteners.

**Bulk** - Guides only in display box.

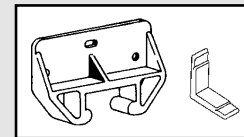
**Description:** Brown polyethylene guide and white polyethylene side saddles; restores smooth operation of track mounted drawers.

**Note:** Fits a 1/4" x 7/8" track.

**R-7085**  
**CCSC-7159**  
**CCBP-7159**



**R-7085** (Carded)  
**CCSC-7159** (100 bulk)  
**CCBP-7159** (50 bulk)



**Drawer Track Guide Kit**

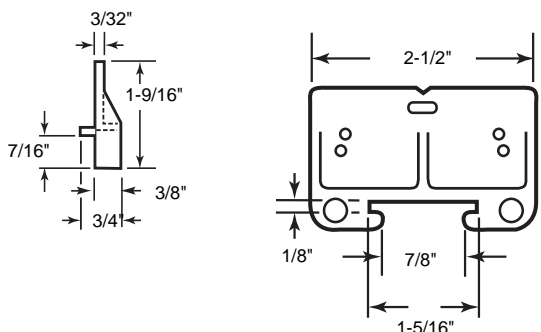
**Contents:** Carded - 1 guide; 2 side saddles; 1 set of installation fasteners.

**Bulk** - Guides only in display box.

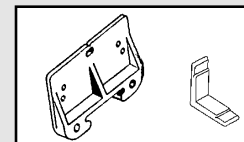
**Description:** Green polyethylene guide and white polyethylene side saddles; restores smooth operation of track mounted drawers.

**Note:** Fits a 9/32" x 1-1/8" track.

**R-7128**  
**CCSC-7192**



**R-7128** (Carded)  
**CCSC-7192** (100 bulk)



**Drawer Track Guide Kit**

**Contents:** Carded - 1 guide; 2 side saddles; 1 set of installation fasteners.

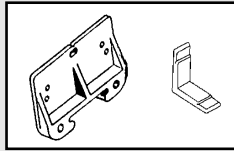
**Bulk** - Guides only in display box.

**Description:** White polyethylene guide and white polyethylene side saddles; restores smooth operation of track mounted drawers.

**Note:** Fits a 3/32" x 1-1/4" track.

# Drawer and Cabinet Hardware

**R-7130** (Carded)  
**CCSC-7168** (100 bulk)  
**CCBP-7168** (50 bulk)



## Drawer Track Guide Kit

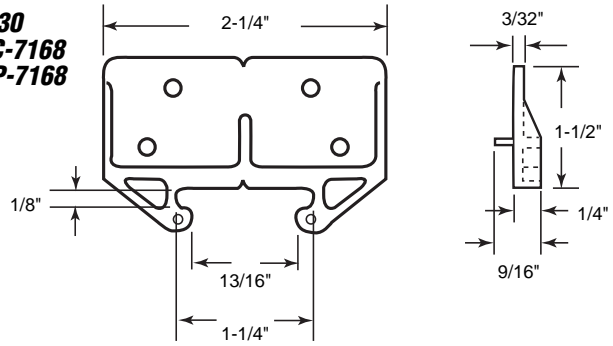
**Contents:** Carded - 1 guide; 2 side saddles; 1 set of installation fasteners.

**Bulk** - Guides only in display box.

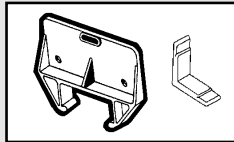
**Description:** White polyethylene guide and white polyethylene side saddles; restores smooth operation of track mounted drawers.

**Note:** Fits a 3/32" x 1-3/16" track.

**R-7130**  
**CCSC-7168**  
**CCBP-7168**



**R-7152** (Carded)  
**CCSC-7161** (100 bulk)  
**CCBP-7161** (50 bulk)



## Drawer Track Guide Kit

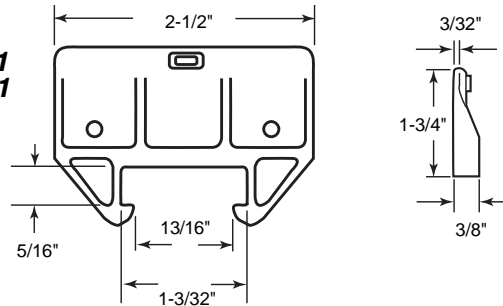
**Contents:** Carded - 1 guide; 2 side saddles; 1 set of installation fasteners.

**Bulk** - Guides only in display box.

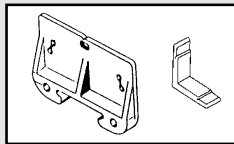
**Description:** Orange polyethylene guide and white polyethylene side saddles; restores smooth operation of track mounted drawers.

**Note:** Fits a 9/32" x 1-1/8" track.

**R-7152**  
**CCSC-7161**  
**CCBP-7161**



**R-7154** (Carded)  
**CCSC-7162** (100 bulk)  
**CCBP-7162** (50 bulk)



## Drawer Track Guide Kit

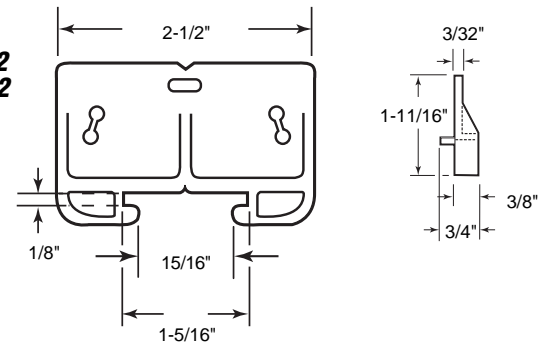
**Contents:** Carded - 1 guide; 2 side saddles; 1 set of installation fasteners.

**Bulk** - Guides only in display box.

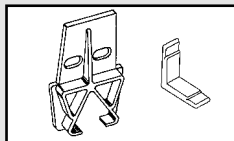
**Description:** White polyethylene guide and white polyethylene side saddles; restores smooth operation of track mounted drawers.

**Note:** Fits a 3/32" x 1-9/32" track.

**R-7154**  
**CCSC-7162**  
**CCBP-7162**



**R-7142** (Carded)  
**CCSC-7170** (100 bulk)



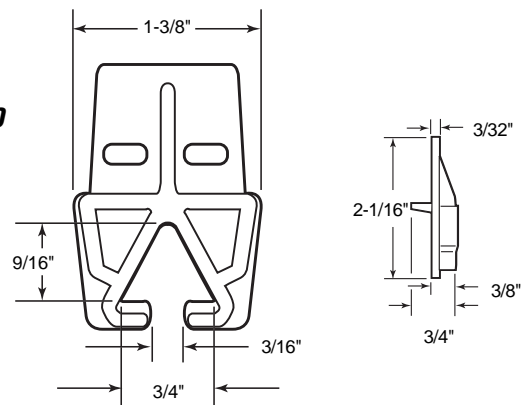
## Drawer Track Guide Kit

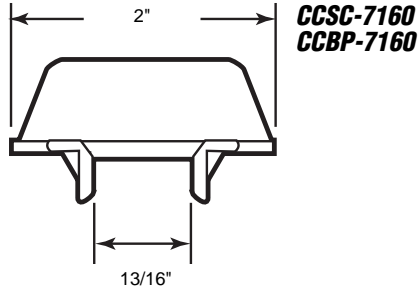
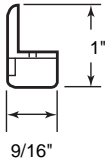
**Contents:** Carded - 1 guide; 2 side saddles; 1 set of installation fasteners.

**Bulk** - Guides only in display box.

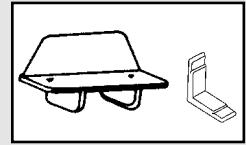
**Description:** White polyethylene guide and white polyethylene side saddles; restores smooth operation of track mounted drawers; frequently used on RV's and mobile homes.

**R-7142**  
**CCSC-7170**





**R-7086**  
**CCSC-7160**  
**CCBP-7160**



**R-7086** (Carded)  
**CCSC-7160** (100 bulk)  
**CCBP-7160** (50 bulk)

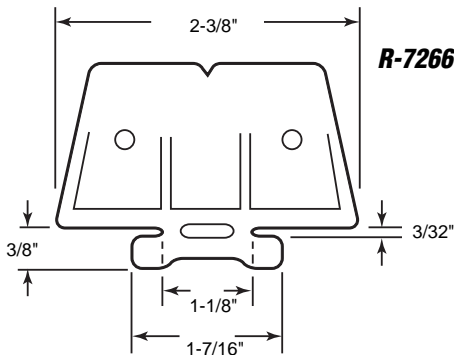
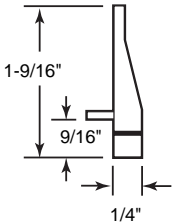
### Drawer Track Guide Kit

**Contents:** Carded - 1 guide; 2 side saddles; 1 set of installation fasteners.

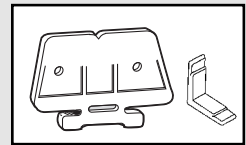
**Bulk** - Guides only in display box.

**Description:** White polyethylene guide and white polyethylene side saddles; restores smooth operation of track mounted drawers.

**Note:** Fits a 13/16" wide track.



**R-7266**



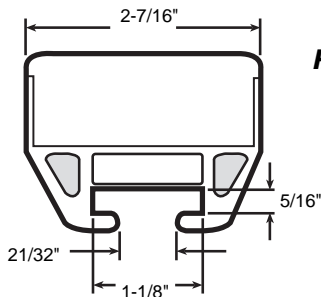
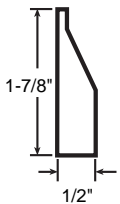
### R-7266

### Drawer Track Guide Kit

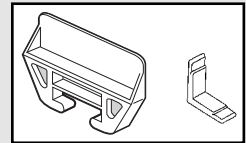
**Contents:** 2 guides; 4 side saddles; 2 sets of installation fasteners.

**Description:** White polyethylene guide and white polyethylene side saddles; restores smooth operation of track mounted drawers.

**Note:** Fits a 1-1/2" track opening.



**R-7221**



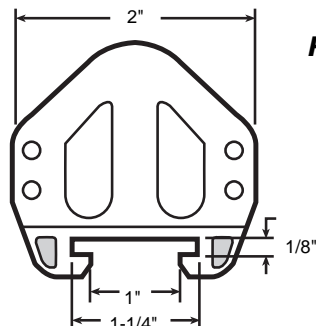
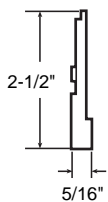
### R-7221

### Drawer Track Guide Kit

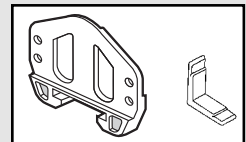
**Contents:** 2 guides; 4 side saddles; 1 set of installation fasteners.

**Description:** White polyethylene guide and white polyethylene side saddles; restores smooth operation of track mounted drawers.

**Note:** Fits a 9/32" x 1-3/32" wide track.



**R-7222**



### R-7222

### Drawer Track Guide Kit

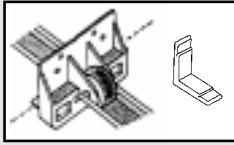
**Contents:** 2 guides; 4 side saddles; 2 sets of installation fasteners.

**Description:** White polyethylene guide and white polyethylene side saddles; restores smooth operation of track mounted drawers.

**Note:** Fits a 3/32" x 1-7/32" wide track.

## R-7217

### Drawer Track Guide Kit

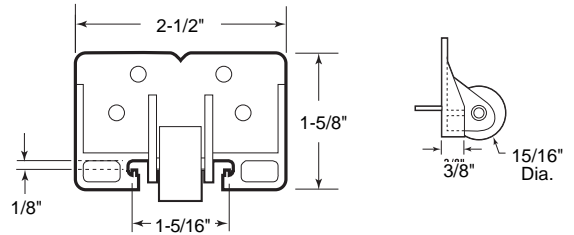


**Contents:** 2 roller assemblies; 4 side saddles; 2 sets of installation fasteners.

**Description:** White polyethylene guide with nylon roller; designed for use with rolled edge steel tracks as shown in part no. R-7125

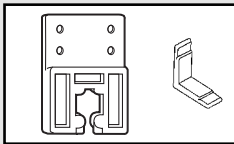
**Note:** Fits a 3/32" x 1-9/32" track.

## R-7217



## R-7234

### Drawer Track Guide Kit



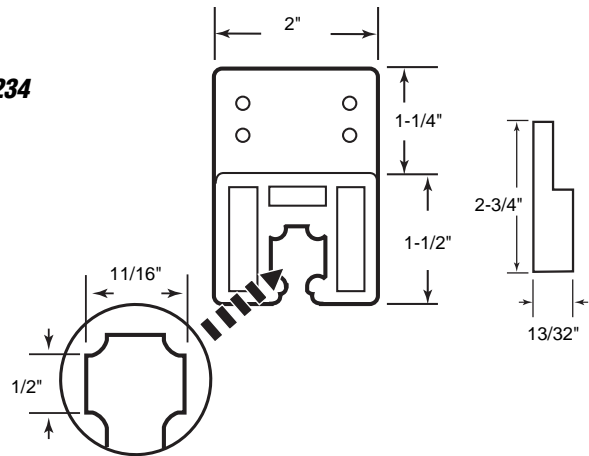
**Contents:** 2 guides; 4 side saddles; 2 sets of installation fasteners.

**Description:** White polyethylene guide with polyethylene side saddles; restores smooth operation of track mounted drawers.

**Note:** Fits a 5/8" diameter track.

You may wish to stock these related parts: R-7232, R-7233, R-7235.

## R-7234



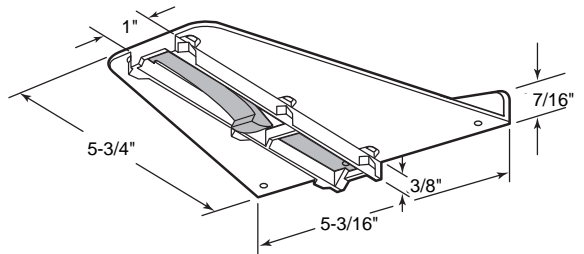
## R-7260

### Drawer Track Guide

**Contents:** 1 guide.

**Description:** White polyethylene; large bearing area for heavily loaded drawers; 6 point contact reduces lateral movement of drawer.

## R-7260



## R-7131 (Carded)

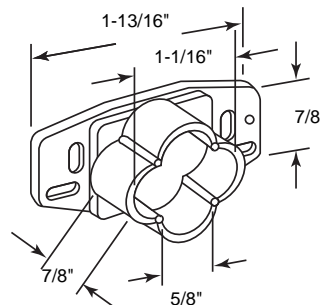
**CCSC-7195** (100 bulk)

**CCBP-7195** (50 bulk)

### Drawer Track Back Plate

**Contents:** Carded - 1 backplate; 1 set of installation screws.  
Bulk - Backplates only in display box.

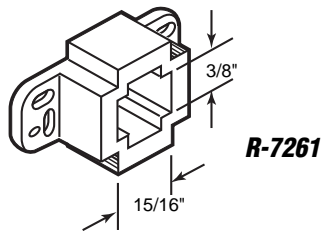
**Description:** Polyethylene backplate can be mounted either horizontally or vertically; new style; used with Amerock tri-roller drawer slide track.



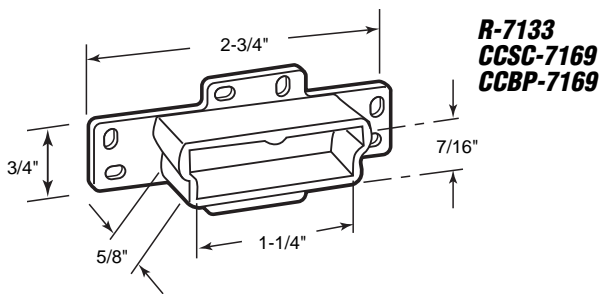
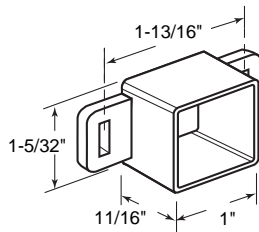
## R-7131

**CCSC-7195**

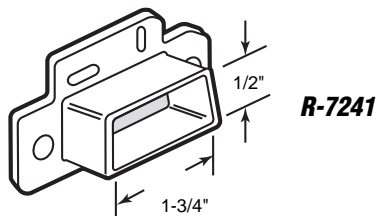
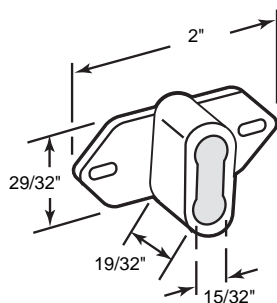
**CCBP-7195**



**R-7143**  
**CCSC-7163**  
**CCBP-7163**



**R-7146**



## R-7261

### Drawer Track Back Plate

**Contents:** 1 backplate with installation screws.

**Description:** Polyethylene backplate can be mounted either horizontally or vertically; **old style**; used with **Amerock** tri-roller drawer slide track.

## R-7143 (Carded)

**CCSC-7163** (100 bulk)

**CCBP-7163** (50 bulk)

### Drawer Track Back Plate

**Contents:** Carded - 1 backplate; 1 set of installation screws.

**Bulk** - Backplates only in display box.

**Description:** Polyethylene; 1" square cavity allows self-alignment of center mounted drawer tracks.

## R-7133 (Carded)

**CCSC-7169** (100 bulk)

**CCBP-7169** (50 bulk)

### Drawer Track Back Plate

**Contents:** Carded-1 backplate; 1 set of installation screws.

**Bulk**- Backplates only in display box.

**Description:** White polyethylene backplates can be inverted for self-adjusting application; for use on rolled edge and other center mounted tracks.

You may wish to stock these related parts: **R-7125, R-7126, R-7130.**

## R-7146

### Drawer Track Back Plate

**Contents:** 2 backplates; 2 sets of installation screws.

**Description:** White polyethylene; for use on standard "C" shaped and other center mounted tracks.

You may wish to stock these related parts: **R-7123, R-7124, R-7194.**

## R-7241

### Drawer Track Back Plate

**Contents:** 2 backplates; 2 sets of installation screws.

**Description:** White polyethylene; for use on center mounted drawer tracks.

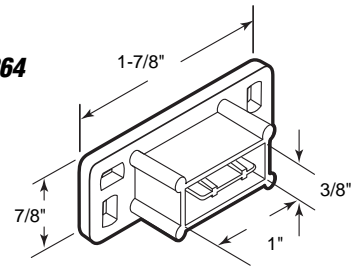
## R-7264

### Drawer Track Back Plate

**Contents:** 2 backplates; 2 sets of installation screws.

**Description:** White polyethylene; for use on center mounted drawer tracks.

**R-7264**



## R-7194

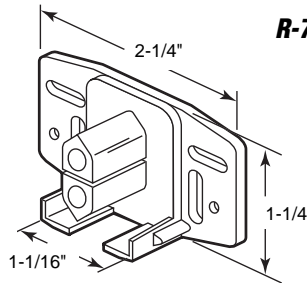
### Drawer Track Back Plate

**Contents:** 1 backplate; 1 set of installation screws.

**Description:** White polyethylene; used on "C" style center mounted tracks.

You may wish to stock these related parts: **R-7123**, **R-7124**, **R-7146**.

**R-7194**



## R-7123

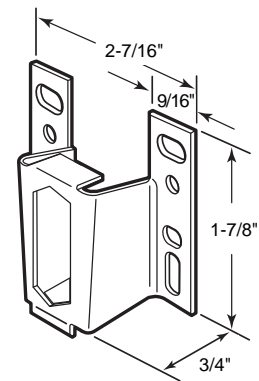
### Drawer Track Back Plate

**Contents:** 1 backplate; 1 set of installation screws.

**Description:** Galvanized steel; used on monorail "C" style drawer tracks.

You may wish to stock these related parts: **R-7124**, **R-7146**, **R-7147**.

**R-7123**



## R-7233

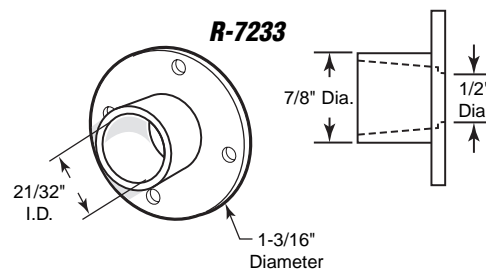
### Drawer Track Back Plate

**Contents:** 2 backplates; 2 sets of installation screws.

**Description:** Polyethylene; used with 5/8" cylindrical style center mounted drawer tracks.

You may wish to stock these related parts: **R-7232**, **R-7234**, **R-7235**.

**R-7233**



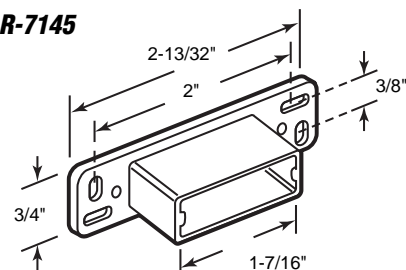
## R-7145

### Drawer Track Back Plate

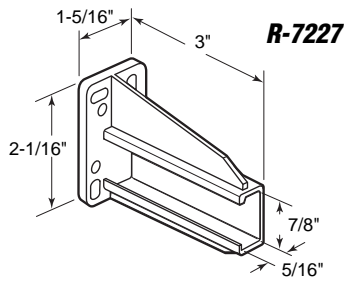
**Contents:** 2 backplates; 2 sets of installation screws.

**Description:** White polyethylene; reversible left or right; fits several side mounted drawer tracks.

**R-7145**

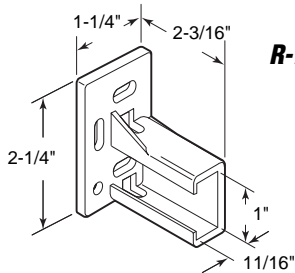
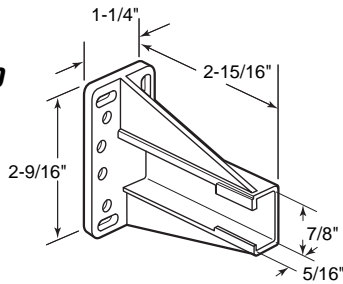






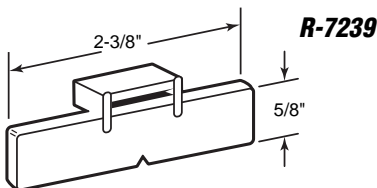
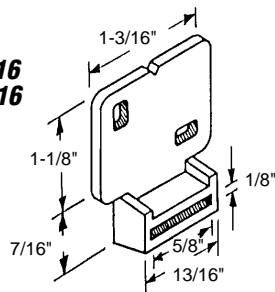
**R-7227**

**R-7240**



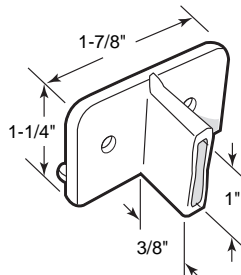
**R-7265**

**R-7126  
CCSC-7216  
CCBP-7216**



**R-7239**

**R-7232**



## R-7227

### Drawer Track Back Plate

**Contents:** 1 left hand bracket; 1 right hand bracket; 2 sets of installation screws.

**Description:** White nylon; used on **side mounted** drawer track systems.

## R-7240

### Drawer Track Back Plate

**Contents:** 1 left hand bracket; 1 right hand bracket; 2 sets of installation screws.

**Description:** White nylon; 2-3/4" socket depth allows 2" of front to back adjustment of the rail; used on **side mounted** drawer track systems.

**Note:** Right side has a larger lip.

## R-7265

### Drawer Track Back Plate

**Contents:** 1 left hand bracket; 1 right hand bracket; 2 sets of installation screws.

**Description:** White nylon; socket depth allows for front to back adjustment of the rail; used on **side mounted** drawer track systems.

## R-7126 (Carded)

**CCSC-7216** (100 bulk)

**CCBP-7216** (50 bulk)

### Drawer Track Front Plate

**Contents:** Carded- Front plate(s) with installation screws.

**Bulk-** Front plates only in display box.

**Description:** White nylon; supports front-end of drawer track; used on **rolled edge metal tracks** as shown in **R-7125**.

You may wish to stock these related parts: **R-7130, R-7133**.

## R-7239

### Drawer Track Front Plate

**Contents:** 2 front plates; 2 sets of installation screws.

**Description:** White nylon; supports front end of drawer track; designed for use on tracks with flat front tab.

## R-7232

### Drawer Track Front Plate

**Contents:** 2 front plates; 2 sets of installation screws.

**Description:** White nylon; supports front end of drawer track.

You may wish to stock these related parts: **R-7233, R-7234, R-7235**.

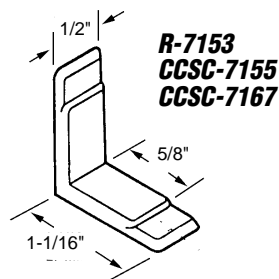
# Drawer and Cabinet Hardware

**R-7153** (Carded)  
**CCSC-7155** (Bulk)  
**CCSC-7167** (Poly-bagged)

## Drawer Guide Side Saddles

**Contents:** **Carded:** 10 side saddles; 20 fasteners  
**Bulk:** 500 side saddles only in display box.  
**Poly-bagged:** 100 bags of 10 side saddles per bag in a display box.

**Description:** **White polyethylene** side saddles help to center drawer and restore smooth operation of track mounted drawers.



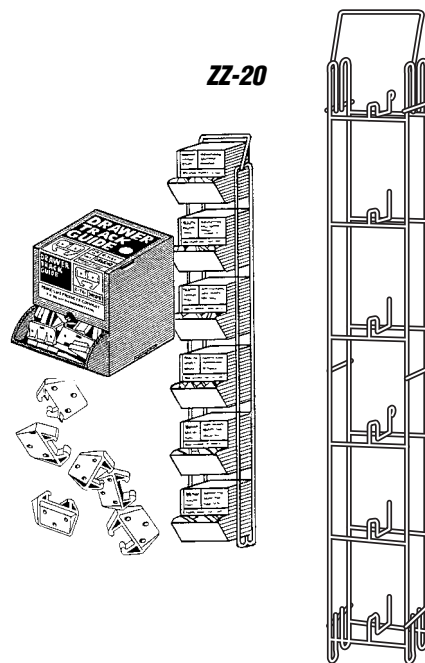
**R-7153**  
**CCSC-7155**  
**CCSC-7167**

## ZZ-20 Display Rack (Only)

*Call for  
 Availability*

**Contents:** 1 rack.

**Description:** **Plated steel** wire rack; used to display bulk guides in self-dispensing boxes; rack will accommodate (6) different products. Rack may be mounted to peg board or steel uprights; (pallet rack merchandising).

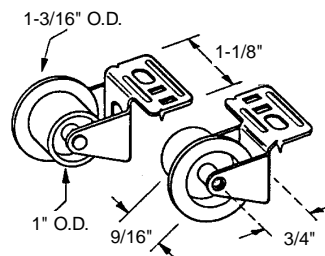


**ZZ-20**

## R-7147 Drawer Guide Roller Assembly

**Contents:** 1 left hand roller; 1 right hand roller; 1 set of installation fasteners.

**Description:** **Adjustable steel** mounting bracket with **nylon** roller; provides alignment and superior glide action for track mounted drawers.



**R-7147**

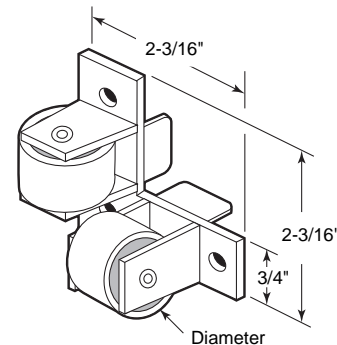
**R-7218** (15/16" diameter rollers)  
**R-7219** (5/8" diameter rollers)

## Drawer Guide Roller Assembly

**Contents:** 2 roller assemblies; 2 sets of installation screws.

**Description:** **White nylon** bracket and roller; side roller helps prevent drag; bottom roller allows drawer to slide easily.

**R-7218**  
**R-7219**

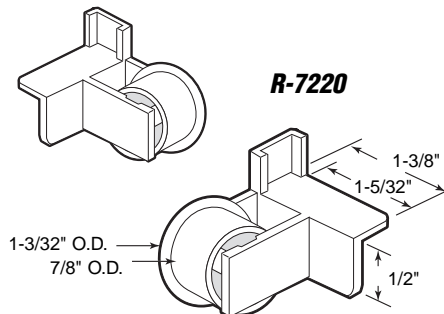


Diameter

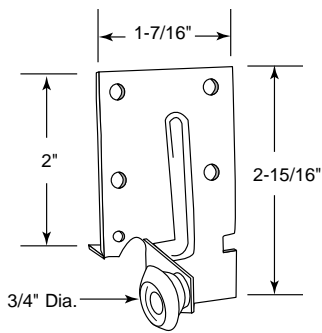
## R-7220 Drawer Guide Roller Assembly

**Contents:** 1 left hand bracket; 1 right hand bracket; 1 set of installation fasteners.

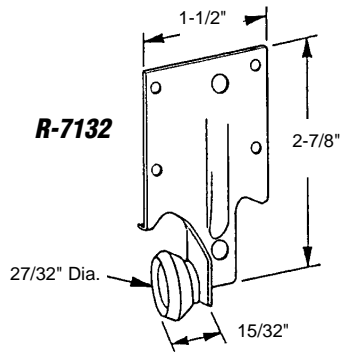
**Description:** **White nylon** bracket and roller; helps to align and restore smooth operation of track mounted drawers.



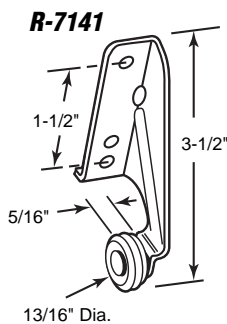
**R-7220**



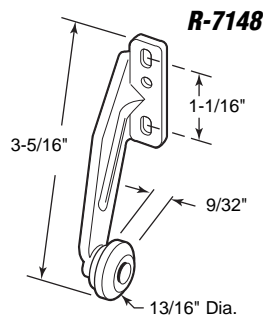
**R-7124**



**R-7132**

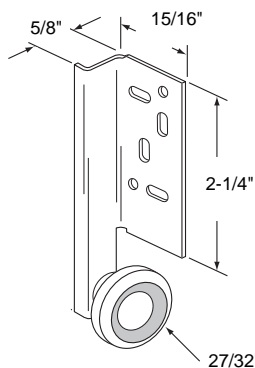
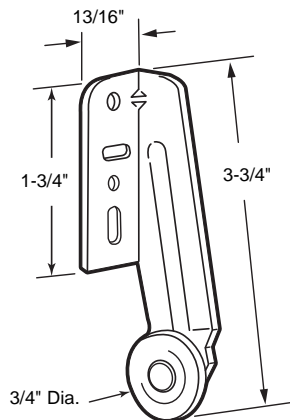


**R-7141**



**R-7148**

**R-7230**



**R-7256**

## R-7124

### Drawer Track Roller

**Contents:** 2 roller assemblies; 2 sets of installation screws.

**Description:** Steel bracket; convex nylon roller; mounts on rear of drawer; used on "old style" *Grace* drawer slide system.

## R-7132

### Drawer Track Roller

**Contents:** 2 roller assemblies; 2 sets of installation screws.

**Description:** Steel bracket; convex nylon roller; mounts on rear of drawer; used as center roller for monorail drawer slide systems.

## R-7141 (Left hand)

## R-7148 (Right hand)

### Drawer Track Roller

**Contents:** 2 roller assemblies; 2 sets of installation screws.

**Description:** Steel bracket; convex nylon roller; mounts on rear of drawer; used as center roller for monorail drawer slide systems.

**Note:** Hand determined as viewed from rear of drawer.

## R-7230

### Drawer Track Roller

**Contents:** 2 roller assemblies; 2 sets of installation screws.

**Description:** Steel bracket; convex nylon roller; mounts on rear of drawer; used as center roller for monorail drawer slide systems.

## R-7256

### Drawer Track Roller

**Contents:** 2 roller assemblies; 2 sets of installation screws.

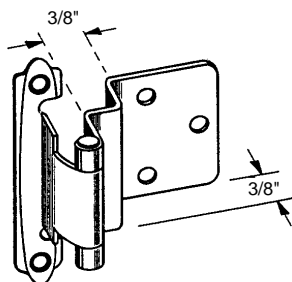
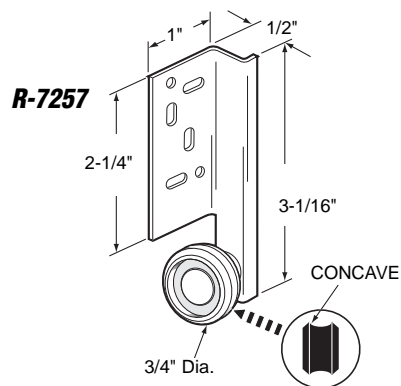
**Description:** Steel bracket; nylon roller; mounts on rear of drawer; used as center roller for monorail drawer slide systems.

## R-7257

### Drawer Track Roller

**Contents:** 2 roller assemblies; 2 sets of installation screws.

**Description:** Steel bracket; **concave nylon** roller; mounts on rear of drawer; used as center roller for monorail drawer slide systems.



**CCEP-7203**  
**CCEP-7134**  
**CCEP-7204**  
**CCEP-7205**

**CCEP-7203** (Brass finish)

**CCEP-7134** (Antique brass finish)

**CCEP-7204** (Chrome finish)

**CCEP-7205** (White finish)

### Cabinet Door Hinge (Self-closing)

**Contents:** 1 pair of hinges; 2 felt pads; 2 sets of installation screws.

**Description:** Semi-concealed steel hinge; spring loaded; used on 3/8" inset cabinet doors.

**Standard pack:** 15 pairs (polybagged) in display box.

**CCEP-7200** (Brass finish)

**CCEP-7135** (Antique brass finish)

**CCEP-7201** (Chrome finish)

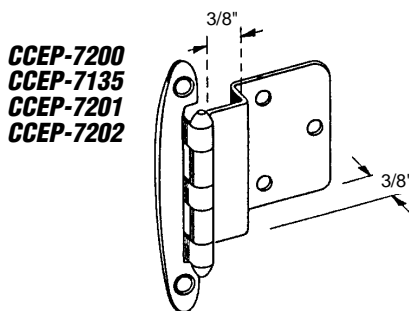
**CCEP-7202** (White finish)

### Cabinet Door Hinge (Non-self closing)

**Contents:** 1 pair of hinges; 2 felt pads; 2 sets of installation screws.

**Description:** Semi-concealed steel hinge; used on 3/8" inset cabinet doors.

**Standard pack:** 20 pairs (polybagged) in display box.



**CCEP-7200**  
**CCEP-7135**  
**CCEP-7201**  
**CCEP-7202**

**CCEP-7206** (Brass finish)

**CCEP-7136** (Antique brass finish)

**CCEP-7207** (Chrome finish)

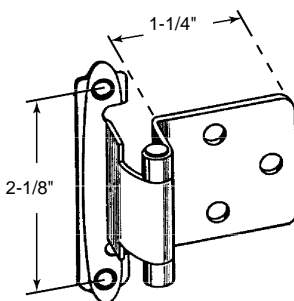
**CCEP-7208** (White finish)

### Cabinet Door Hinge (Self closing)

**Contents:** 1 pair of hinges; 2 felt pads; 2 sets of installation screws.

**Description:** Semi-concealed steel hinge; spring loaded; used on overlay cabinet doors.

**Standard pack:** 15 pairs (polybagged) in display box.



**CCEP-7206**  
**CCEP-7136**  
**CCEP-7207**  
**CCEP-7208**

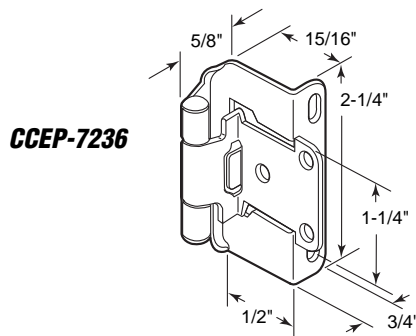
**CCEP-7236** (Antique brass finish)

### Cabinet Door Hinge (Self-closing)

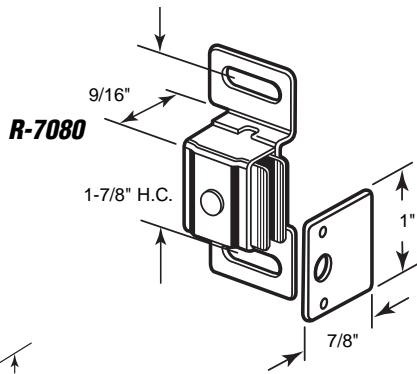
**Contents:** 1 pair of hinges; 2 felt pads; 2 sets of installation screws.

**Description:** Semi-concealed steel hinge; spring loaded; wrap around design; **vertically adjustable**; used on overlay doors.

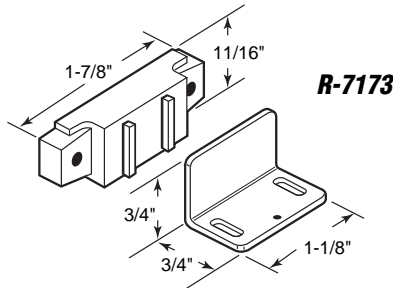
**Standard pack:** 20 pairs (polybagged) in display box.



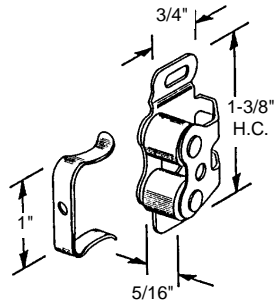
**CCEP-7236**



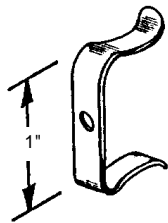
**R-7080**



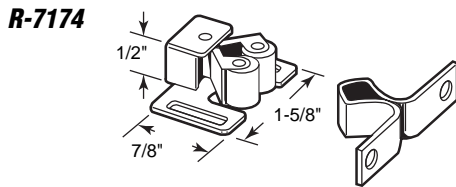
**R-7173**



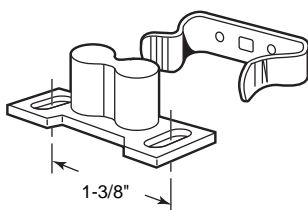
**R-7081**



**R-7127**



**R-7174**



**R-7242**

**R-7080  
Magnetic Catch**

**Contents:** 2 catches; 2 strike plates; 2 sets of installation screws.

**Description:** Zinc plated adjustable steel housing; steel strike plate; large magnet for extra holding power.

**R-7173  
Magnetic Catch**

**Contents:** 2 catches; 2 strike plates; 2 sets of installation screws.

**Description:** Heavy duty brown plastic housing; dual steel inserts; adjustable steel strike plate; frequently used in RV and mobile home cabinets.

**R-7081  
Dual Roller Catch**

**Contents:** 3 catches; 3 clips; 3 sets of installation screws.

**Description:** Dual nylon rollers; plated steel housing and spring steel clip; used on cabinet, closet and compartment doors.

**R-7127  
Dual Roller Clip**

**Contents:** 6 clips; 6 installation screws.

**Description:** Chrome plated spring steel clip.

**Note:** Replacement clip for Part No. R-7081.

**R-7174 (Bronze finish)  
Dual Roller Clip**

**Contents:** 2 catches; 2 keepers; 2 sets of installation screws.

**Description:** Dual nylon rollers; adjustable steel housing; steel keeper; heavy duty spring loaded latching.

**R-7242  
Friction Catch**

**Contents:** 2 catches; 2 clips; 2 sets of installation screws.

**Description:** Double barrel white nylon catch; brass finish spring steel clip; adjustable; used on cabinet and compartment doors.

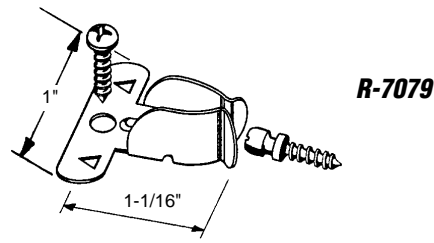
*Call for  
Availability*

## R-7079

### Friction Catch

**Contents:** 3 catches; 3 ball head screws; 3 installation screws.

**Description:** Chrome plated spring steel catch; used on cabinet and compartment doors.



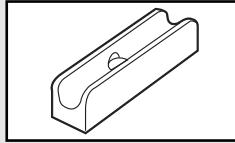
**R-7245** (1/4" wide x 1" long)

**R-7246** (3/8" wide x 1-3/8" long)

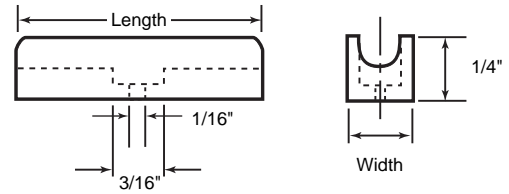
### Door Glides

**Contents:** 2 glides.

**Description:** Nylon glides install on bottom of sliding cabinet doors; used in conjunction with plastic or wood track.



**R-7245**  
**R-7246**



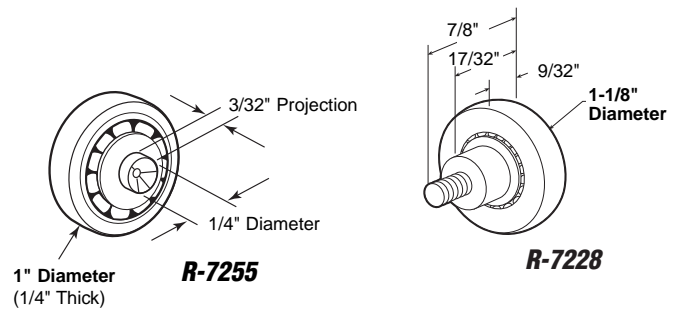
**R-7228** (1/4" - 20 threaded steel axle)

**R-7255** (Rivet style axle)

### Drawer Slide Roller

**Contents:** 2 rollers.

**Description:** White nylon roller; steel ball bearing roller; replacement roller for metal drawer slide systems; frequently used on file cabinet drawer tracks.

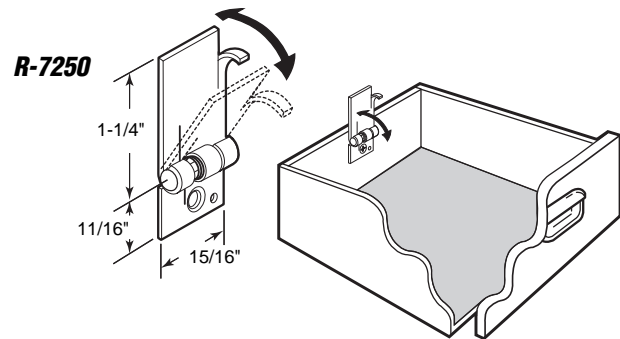


## R-7250

### Drawer Stop

**Contents:** 1 stop with installation screw and nail.

**Description:** Zinc plated steel hinge; spring loaded; prevents drawer from accidentally falling out of cabinet upon opening.



**R-7076** (Brass finish)

**R-7275** (Dull nickel finish)

### Drawer & Cabinet Lock

**Contents:** 1 lock assembly; 2 keys; 1 set of installation screws.

**Description:** Diecast housing; keyed locking unit; requires a 7/8" hole for installation.

