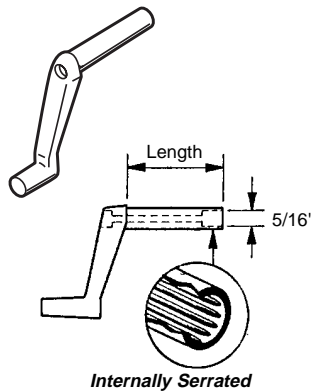


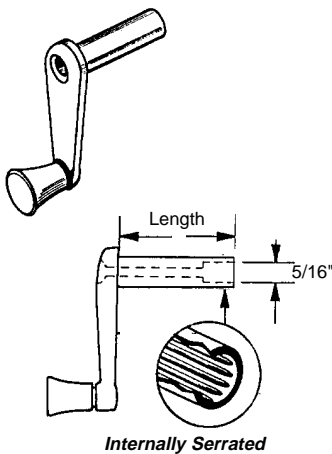
**R-7000**  
**R-7001**  
**R-7002**  
**R-7003**

*Internally Serrated*

**R-7247**  
**R-7225**  
**R-7226**

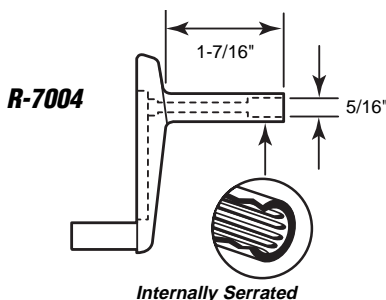


*Internally Serrated*



**R-7090**  
**R-7007**  
**R-7009**

*Internally Serrated*



**R-7004**

*Internally Serrated*

**R-7000** (13/16" stem length)  
**R-7001** (1-3/4" stem length)  
**R-7002** (2-1/8" stem length)  
**R-7003** (3-1/8" stem length)

**Handle**

**Contents:** 2 handles; 2 installation screws.

**Description:** **Brown plastic** crank; internally serrated to fit 5/16" spindle; used on crank-out windows.

**R-7247** (1/4" stem length)  
**R-7225** (3/4" stem length)  
**R-7226** (1-3/4" stem length)

**Handle**

**Contents:** 2 handles; 2 installation screws.

**Description:** **Diecast** crank; internally serrated to fit 5/16" spindle; used on crank-out windows.

**R-7090** (1/2" stem length)  
**R-7007** (1" stem length)  
**R-7009** (1-1/4" stem length)

**Handle**

**Contents:** 2 handles; 2 installation screws.

**Description:** **Diecast** crank and swivel knob; internally serrated to fit 5/16" spindle; used on crank-out windows.

**R-7004**

**Handle**

**Contents:** 2 handles; 2 installation screws.

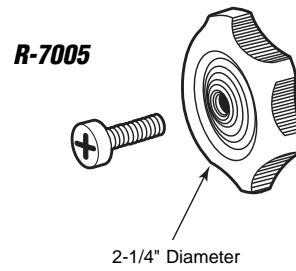
**Description:** **Beige plastic** crank; internally serrated to fit 5/16" spindle; fits on crank-out windows or top vents by **Hehr**.

## R-7005

### Handle

**Contents:** 2 handles; 2 no. 8-32 x 5/8" Phillips pan head machine screws.

**Description:** Heavy-duty plastic knob; 1/4" shank; internally serrated to fit 5/16" spindle; used on top vents or sun roofs.

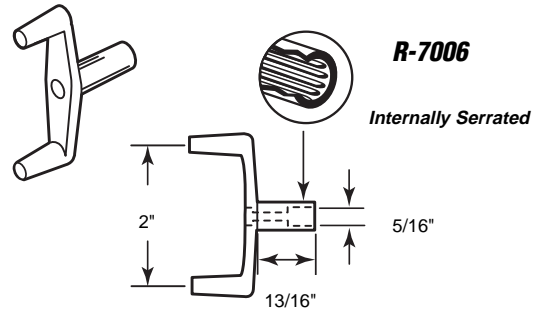


## R-7006

### Handle

**Contents:** 2 handles; 2 no. 8-32 x 1" slotted Fillister head machine screws.

**Description:** Dual-grip, white nylon crank handle; internally serrated to fit 5/16" spindle; used on crank-out windows and roof vents.

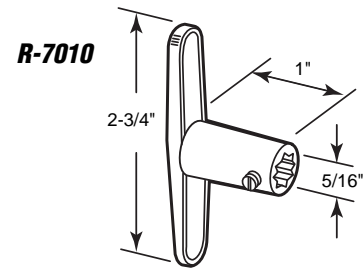


## R-7010

### Handle

**Contents:** 2 handles with set screws.

**Description:** Diecast crank handle; heavy-duty construction; internally serrated to fit 5/16" spindle; used on crank-out windows or roof vents.

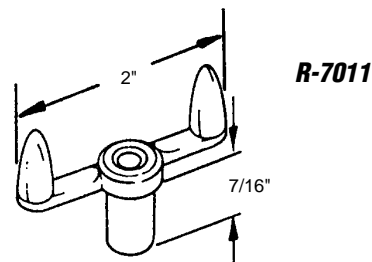


## R-7011

### Handle

**Contents:** 2 handles; 2 no. 8-32 x 5/8" Phillips pan head machine screws.

**Description:** Dual-grip, diecast crank handle; internally serrated to fit 5/16" spindle; used on crank-out windows.



**R-7012** (7/8" long)

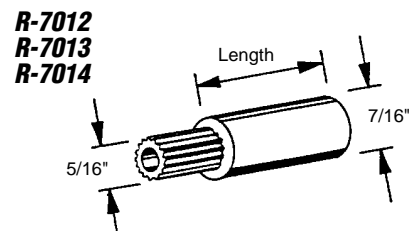
**R-7013** (1-1/8" long)

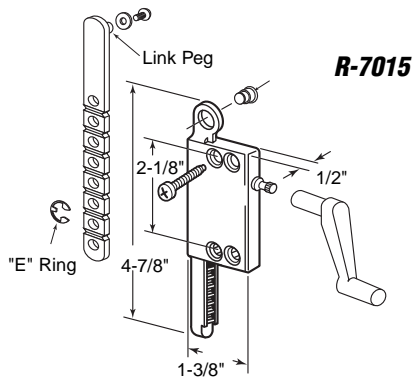
**R-7014** (2" long)

### Handle Extension

**Contents:** 2 extensions with screws.

**Description:** Diecast extenders; serrated both internally and externally for 5/16" spindle applications; for use with crank-out window and roof vent handles.





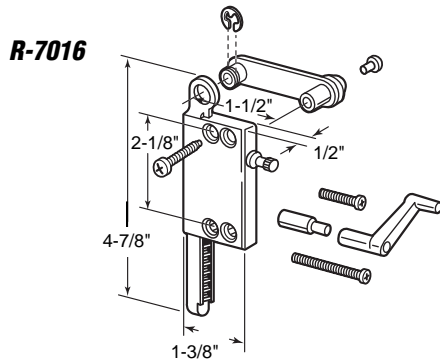
**R-7015**

**R-7015**

**Awning or Louvre Window Operator**

**Contents:** 1 operator; 1 extension arm; 1 crank handle; 1 set of installation hardware.

**Description:** Diecast rack operator; adjustable break-off link extension arm for universal application; 5/16" spindle size; used on either left or right handed windows; **side mount**.



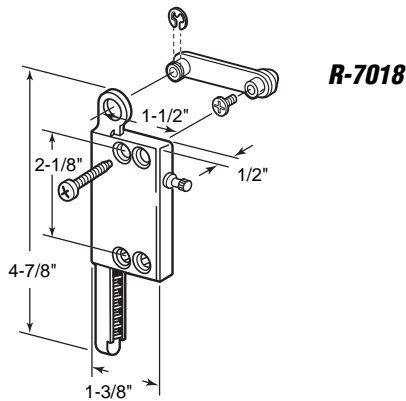
**R-7016**

**R-7016**

**Louvre Window Operator**

**Contents:** 1 operator; 1 crank handle; 1 link assembly; 1 crank handle extension; 1 set of installation hardware.

**Description:** Diecast rack operator, gear link and shaft extension; 5/16" spindle size; used on either left or right handed windows; **side mount**.



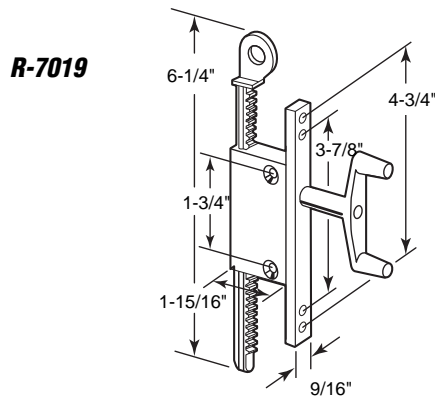
**R-7018**

**R-7018**

**Louvre Window Operator**

**Contents:** 1 operator; 1 link assembly; 1 set of installation hardware.

**Description:** Diecast rack operator and attachment link; 5/16" spindle size; can be used on either left or right handed windows; **side mount**.



**R-7019**

**R-7019**

**Louvre Window Operator**

**Contents:** 1 operator; 1 crank handle; 1 set of installation screws.

**Description:** Diecast rack operator; 5/16" spindle size; **plastic** dual-grip crank handle; **face mounted**; non-handed.

*Call for Availability*

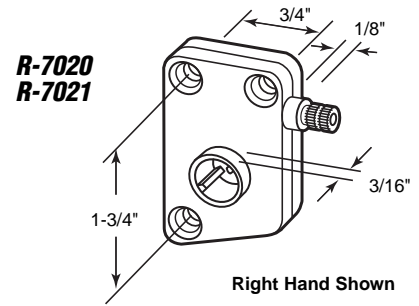
**R-7020** (Left hand)  
**R-7021** (Right hand)

## Slant Sill Operator

**Contents:** 1 operator; 1 set of installation screws.

**Description:** Diecast operator; used on either awning or louvre windows; side mount for slanted sill.

**Note:** Hand determined from inside of window looking out.



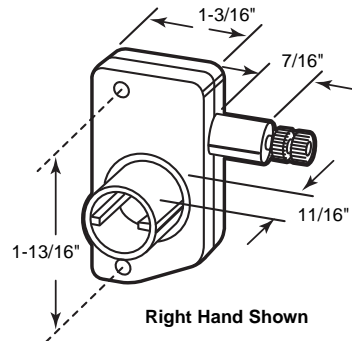
**R-7022** (Left hand)  
**R-7023** (Right hand)

## Slant Sill "Mini" Operator

**Contents:** 1 operator; 1 set of installation screws.

**Description:** Diecast operator; used on either awning or louvre windows; "mini size"; side mount for slanted sill.

**Note:** Hand determined from inside of window looking out.



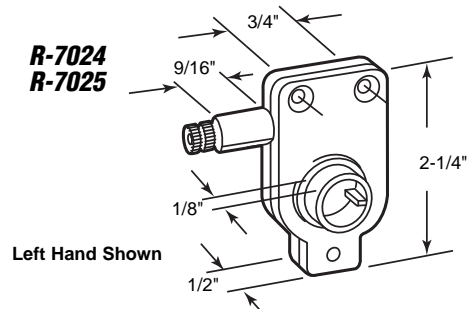
**R-7024** (Left hand)  
**R-7025** (Right hand)

## Torque Operator

**Contents:** 1 operator; 1 set of installation screws.

**Description:** Diecast operator; used on either awning or louvre windows; side mount.

**Note:** Hand determined from inside of window looking out.



**R-7026** (Left hand)  
**R-7027** (Right hand)

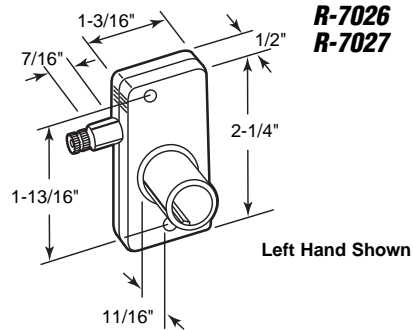
## Torque Operator

**Contents:** 1 operator; 1 set of installation screws.

**Description:** Diecast operator; used on either awning or louvre windows; side mount.

**Note:** Hand determined from inside of window looking out.

*Call for Availability*



**R-7259** (Left hand)  
**R-7258** (Right hand)

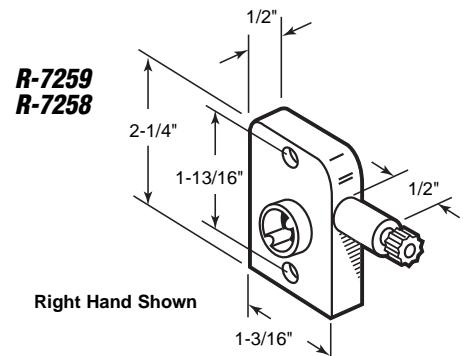
## Torque Operator

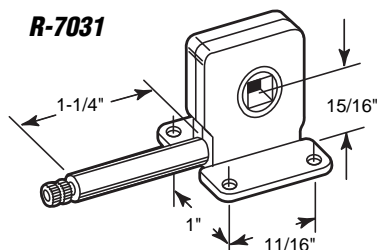
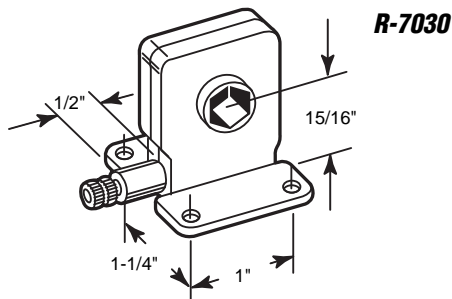
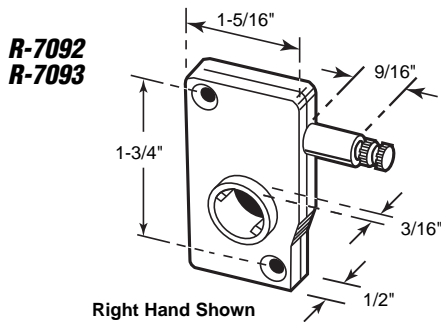
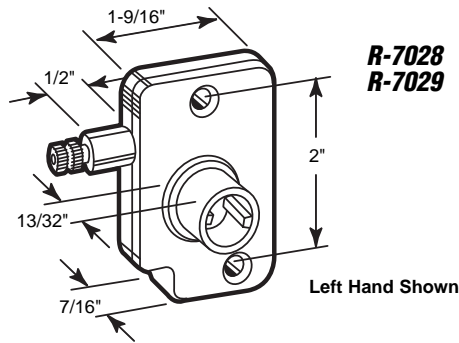
**Contents:** 1 operator; 1 set of installation screws.

**Description:** Diecast operator; used on either awning or louvre windows; side mount; used by *Sun Valley* and others.

**Note:** Hand determined from inside of window looking out.

*Call for Availability*





**R-7028** (Left hand)  
**R-7029** (Right hand)

**Torque Operator**

**Contents:** 1 operator; 1 set of installation screws.

**Description:** Diecast operator; used on either awning or louvre windows; side mount.

**Note:** Hand determined from inside of window looking out.

**R-7092** (Left hand)  
**R-7093** (Right hand)

**Torque Operator**

**Contents:** 1 operator; 1 set of installation screws.

**Description:** Diecast operator; used on either awning or louvre windows; side mount.

**Note:** Hand determined from inside of window looking out.

**R-7030**

**Torque Operator**

**Contents:** 1 operator; 1 set of installation screws.

**Description:** Diecast operator; 3/8" hex socket; center mount; used on either awning or louvre style windows.

**R-7031**

**Torque Operator**

**Contents:** 1 operator; 1 set of installation screws.

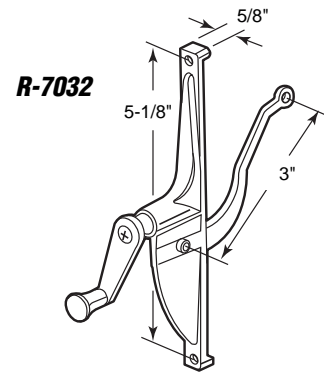
**Description:** Diecast operator; 5/16" square socket; center mount; used on either awning or louvre windows.

## R-7032

### Awning Window or Roof Vent Operator

**Contents:** 1 operator; 1 crank handle; 1 set of installation screws.

**Description:** Diecast operator and crank handle; steel arm; zinc-plated; non-handed; used on 6" standard vent windows.



**R-7032**

**R-7035** (4" arm length)

**R-7036** (5" arm length)

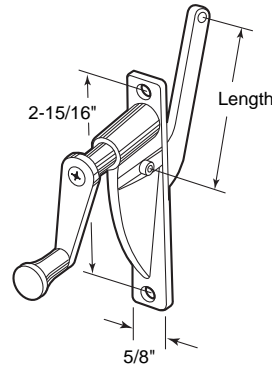
**R-7037** (7-5/8" arm length)

### Awning Window or Roof Vent Operator

**Contents:** 1 operator; 1 crank handle; 1 set of installation screws.

**Description:** Diecast operator and crank handle; zinc-plated; check specific arm length required.

**Note:** R-7035 requires no. R-7041 operator button.



**R-7035  
R-7036  
R-7037**

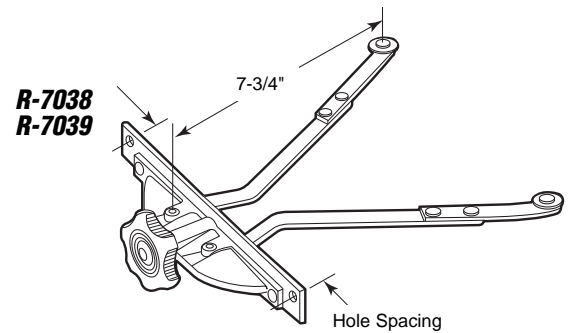
**R-7038** (5-7/8" hole spacing)

**R-7039** (4-13/16" hole spacing)

### Sun Roof Vent Operator

**Contents:** 1 operator with extension arms; 1 crank knob; 1 set of installation screws.

**Description:** Diecast operator; steel arms; zinc plated; plastic crank handle; operator housing is available with two different hole spacings.



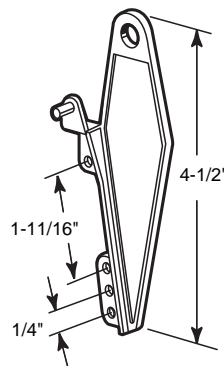
**R-7038  
R-7039**

## R-7040

### Pivot Brackets

**Contents:** 1 left hand bracket; 1 right hand bracket.

**Description:** Diecast pivot brackets link the operator moving arm to the louvre window clip arm; adjustable; used on Phillips windows.



**R-7040**

Left Hand Shown

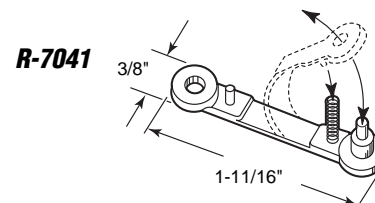
## R-7041

### Roof Vent Operator Button

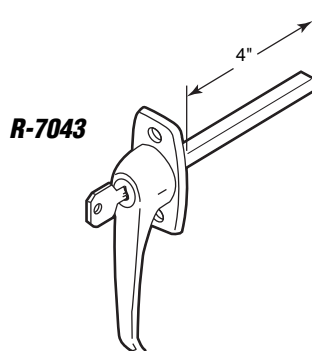
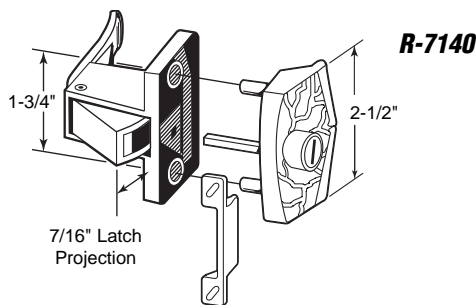
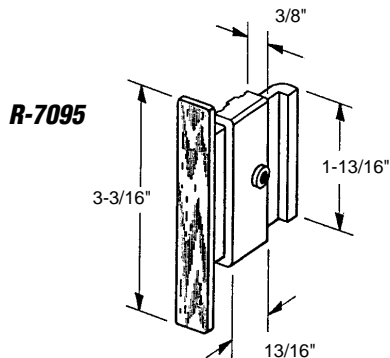
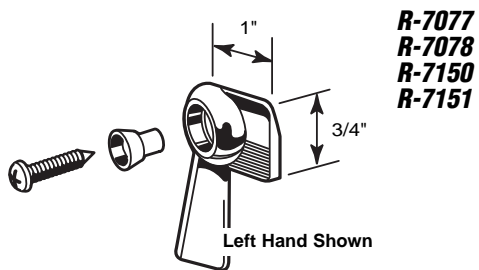
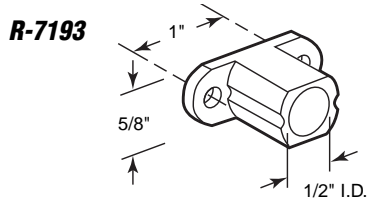
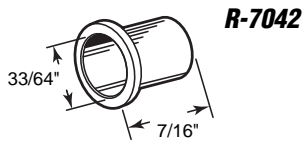
**Contents:** 2 buttons; 2 springs.

**Description:** Plastic roof vent attachment button; snaps onto end of operator arm and attaching unit; used by Hehr and others.

**Note:** Use with no. R-7035 operator.



**R-7041**



## R-7042

### Torque Bar Bushing

**Contents:** 2 bushings.

**Description:** Nylon bushing; accepts a 1/2" drive rod; used in conjunction with a variety of torque operators.

## R-7193

### Torque Bar Bushing

**Contents:** 2 bushings; 2 sets of installation screws.

**Description:** Nylon bushing; accepts a 1/2" drive rod; used in conjunction with a variety of torque operators.

**R-7077** (Left hand - chrome finish)

**R-7078** (Right hand - chrome finish)

**R-7150** (Left hand - black finish)

**R-7151** (Right hand - black finish)

### Sliding Window Sash Lock

**Contents:** 2 locks; 2 bushings; 2 installation screws.

**Description:** Diecast lock; nylon bushing; no keeper required; lock engages fixed rail of window to hold vent shut.

## R-7095

### Sliding Window Latch and Pull

**Contents:** 1 latch assembly.

**Description:** White nylon with wood grain feature strip; spring loaded; self-latching; used on *Phillips* RV windows.

**R-7140** (Antique brass finish)

### Privacy Latch

**Contents:** 1 inside latch and pull; 1 outside pull; 1 pushbutton spindle; 1 strike, 1 set of installation screws.

**Description:** Diecast assembly; plastic pushbutton; interior lock button for privacy; use screwdriver in exterior pushbutton to override; fits 1/2" to 1" thick interior RV doors.

**R-7043** (Chrome finish)

### Locking Handle (Non-handed)

**Contents:** 1 locking handle; 2 keys; 1 set of installation screws.

**Description:** Diecast construction; 1-3/4" hole centers; 5/16" square spindle; hardened steel shaft; 90° rotation.

You may wish to stock these related parts: **R-7045**, **R-7046**, **R-7047**.

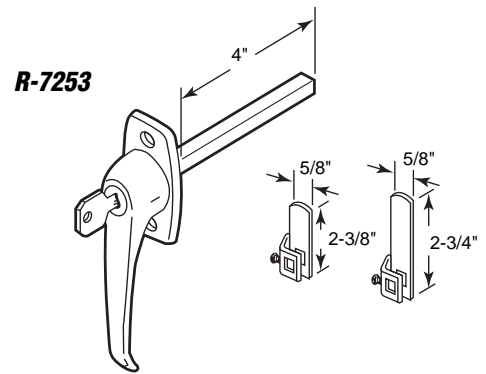
## R-7253 (Non-handed)

### Locking Handle (Chrome finish)

**Contents:** 1 locking handle; 2 keys; 2 cam locks; 1 set of installation screws.

**Description:** Diecast construction; 1-3/4" hole centers; 5/16" square spindle; hardened steel shaft; used as a compartment lock and handle.

You may wish to stock these related parts: **R-7047**.



## R-7044 (Chrome finish - 2-7/8" spindle length)

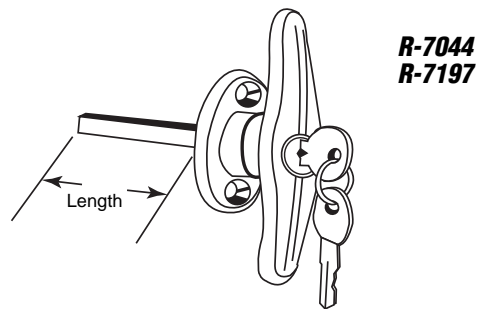
## R-7197 (Black finish - 2" spindle length)

### Locking Handle

**Contents:** 1 locking handle; 2 keys; 1 set of installation screws.

**Description:** Diecast construction; 5/16" square spindle; hardened steel shaft; 1-1/2" hole centers; used as a compartment lock and handle.

You may wish to stock these related parts: **R-7045, R-7046, R-7047**.



## R-7045 (2-3/8" latch length)

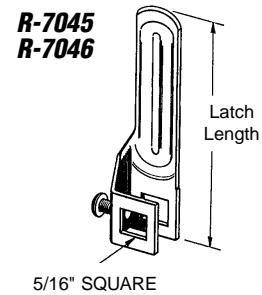
## R-7046 (2-3/4" latch length)

### Cam Lock

**Contents:** 1 cam lock with set screws.

**Description:** Zinc plated steel; accepts a 5/16" square spindle.

You may wish to stock these related parts: **R-7043, R-7044**.



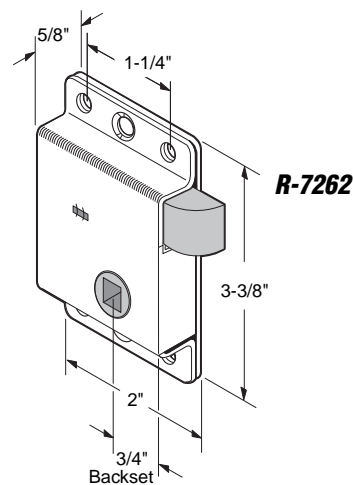
## R-7262

### Latch Assembly

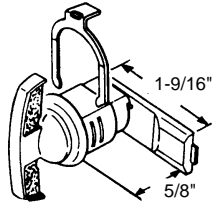
**Contents:** 1 latch.

**Description:** Stamped steel housing; diecast latch parts; surface mount; zinc plated; surface mounted interior latching mechanism for cabinet or compartment doors.

You may wish to stock these related parts: **R-7043, R-7044, R-7045, R-7046**.







**R-7074**

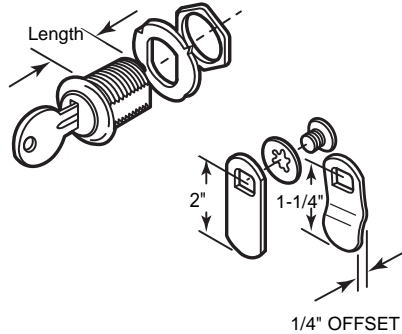
**R-7074**

**Compartment Latch**

**Contents:** 1 latch assembly; 1 holding clip.

**Description:** Diecast thumbturn and latch assembly; spring steel clip; zinc plated; requires a 3/4" hole for installation.

**R-7075  
R-7252  
R-7251**



**R-7075** (5/8" cylinder length)

**R-7252** (7/8" cylinder length)

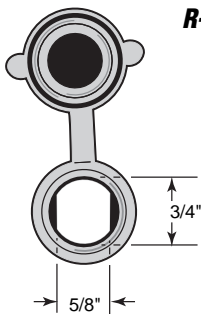
**R-7251** (1-1/8" cylinder length)

**Cylinder Lock - Keyed**

**Contents:** 1 lock cylinder; 2 keys; 1 flush cam; 1 offset cam; 1 set of installation hardware.

**Description:** Zinc plated steel and diecast components; cylinder requires a 3/4" hole for installation; frequently used to secure RV compartments and tool cabinets.

You may wish to stock these related parts: **R-7243**.



**R-7243**

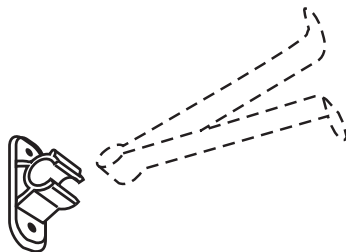
**R-7243**

**Cylinder Lock Dust Cover**

**Contents:** 2 lock covers.

**Description:** Black flexible rubber; prevents dust and dirt particles from entering key cylinder locks; extends lock life and reduces replacement costs; accommodates 3/4" diameter face plates.

**R-7189**



**R-7189**

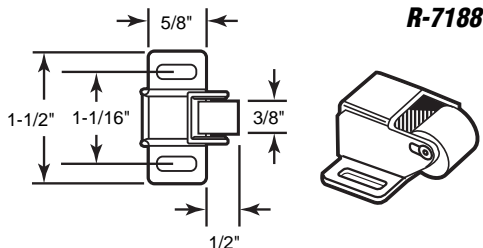
**Screen Door Holder Catch**

*Call for Availability*

**Contents:** 1 door catch; 1 set of installation screws.

**Description:** Nylon catch; used with latching rod shown; holds door in the "open" position.

**Note:** Holder Rod not included.



**R-7188**

**R-7188**

**Screen Door Roller Catch**

**Contents:** 1 screen door catch with 2 mounting screws.

**Description:** Zinc plated steel roller housing; spring loaded, gray vinyl roller; mounts to handle side of aluminum screen door, holds door in "closed" position.

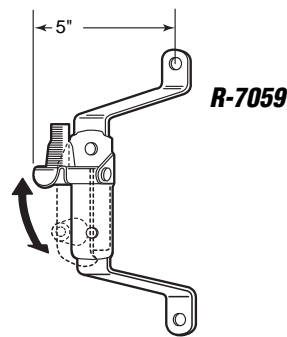
**R-7059** (5" projection)

**Door Holder**

*Call for Availability*

**Contents:** 1 holder assembly with **rubber** bumper.

**Description:** **Cadmium plated steel**; spring loaded catch arm; holds door open when engaged into strike (in the up position); catch arm serves as a door bumper (in the down position).



**R-7060** (2" projection)

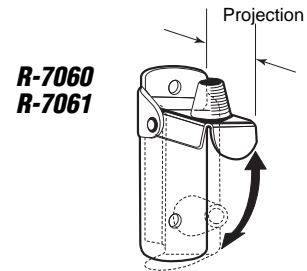
**R-7061** (6" projection)

**Door Holder**

*Call for Availability*

**Contents:** 1 holder assembly with **rubber** bumper.

**Description:** **Cadmium plated steel**; spring loaded catch arm; holds door open when engaged into strike (in the up position); catch arm serves as a door bumper (in the down position).



**R-7062**

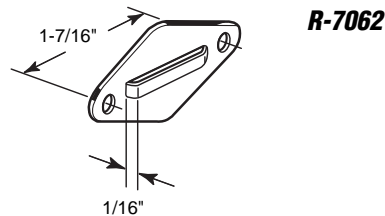
**Door Holder Catch**

*Call for Availability*

**Contents:** 1 catch plate.

**Description:** **Cadmium plated steel**; mounts on door to accept door holder and holds door in the "open" position.

You may wish to stock these related parts: **R-7059, R-7060, R-7061.**

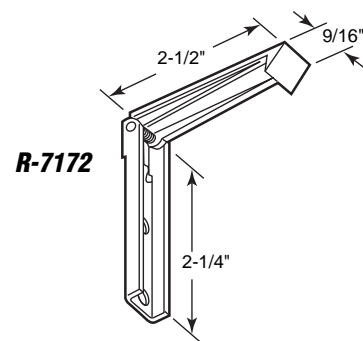


**R-7172**

**Compartment Door Catch**

**Contents:** 1 door catch with mounting screws.

**Description:** **Zinc plated steel** holds door in "open" position; used on cabinet and lift-up compartment doors.



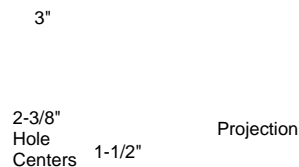
**R-7063** (3" arm projection)

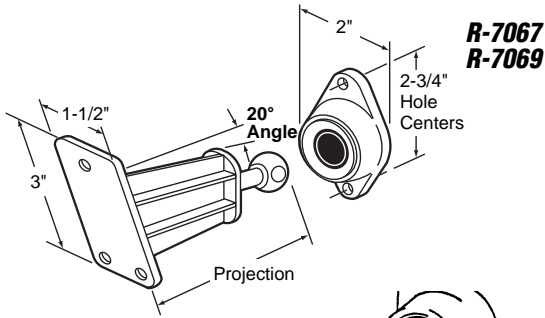
**R-7065** (4-3/4" arm projection)

**Door Holder Rod and Retainer** (Colonial white)

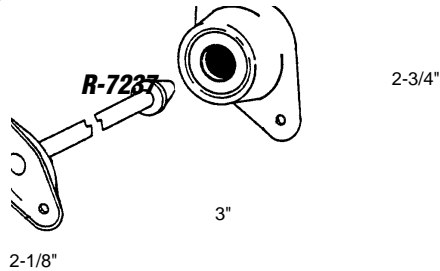
**Contents:** 1 rod; 1 retainer with **rubber** insert.

**Description:** **Heavy-duty plastic** construction; **straight arm rod**; retainer accepts holder rod to secure door in the "open" position.

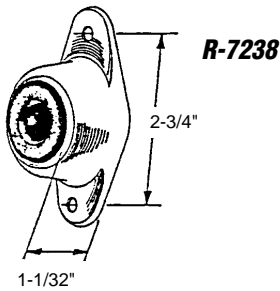




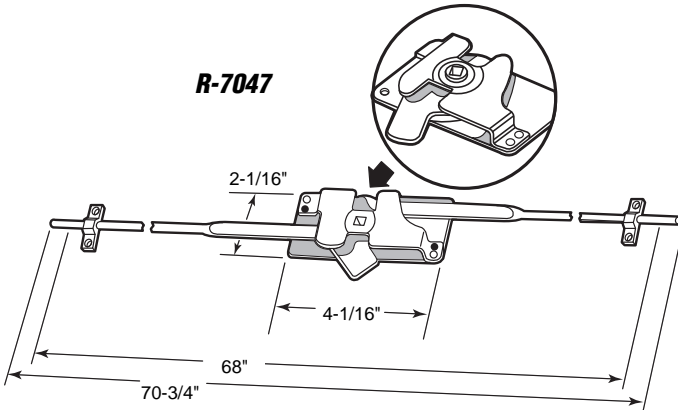
**R-7067**  
**R-7069**



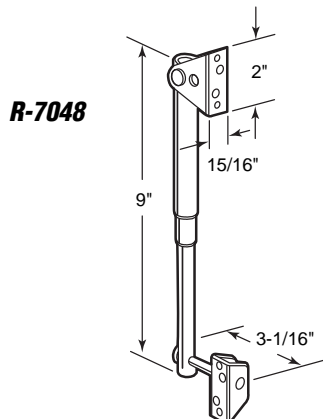
**R-7237**



**R-7238**



**R-7047**



**R-7048**

**R-7067** (3" arm projection)

**R-7069** (4-3/4" arm projection)

**Door Holder Rod and Retainer** (Colonial white)

**Contents:** 1 rod; 1 retainer with rubber insert.

**Description:** Heavy-duty plastic construction; angled arm rod; retainer accepts holder rod to secure door in the "open" position.

**R-7237**

**Door Holder Rod and Retainer**

**Contents:** 1 rod; 1 retainer with rubber insert.

**Description:** Cadmium plated steel rod and retainer housing; rubber retainer secures door in the "open" position.

You may wish to stock these related parts: **R-7238**.

**R-7238**

**Door Holder Rod Retainer**

**Contents:** 1 retainer.

**Description:** Cadmium plated steel housing; rubber insert.

**R-7047**

**Camper Door 3-Point Lock**

**Contents:** 1 lock assembly with extension rods; 2 guide brackets; 1 set of installation screws.

**Description:** 3 point deadlock assembly; zinc plated steel construction; lock arms extend to 70-3/4".

You may wish to stock these related parts: **R-7043, R-7044**.

**R-7048**

**Camper Door Spring Prop**

**Contents:** 1 prop with brackets; 1 set of installation screws.

**Description:** Plated steel spring cartridge and brackets; adjustable; heavy duty construction; 34 lbs. lift capacity.

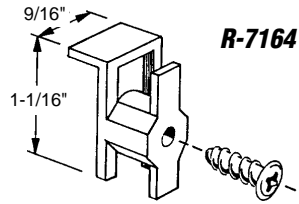
## R-7164

### Sliding Door Guides

**Contents:** 4 guides; 4 no. 10 x 1/2" Phillips pan head sheet metal screws.

**Description:** White plastic sliding door guides for use on Arrow storage buildings manufactured prior to 1977.

You may wish to stock these related parts: R-7165, R-7166.



## R-7165

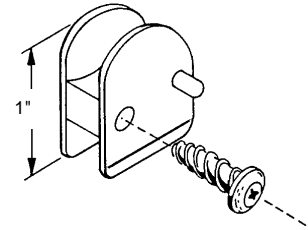
### Sliding Door Guides

**Contents:** 4 guides; 4 no. 10 x 1/2" Phillips pan head sheet metal screws.

**Description:** Brown plastic sliding door guides for use on Arrow storage buildings manufactured after 1976.

You may wish to stock these related parts: R-7164, R-7166.

R-7165



## R-7166

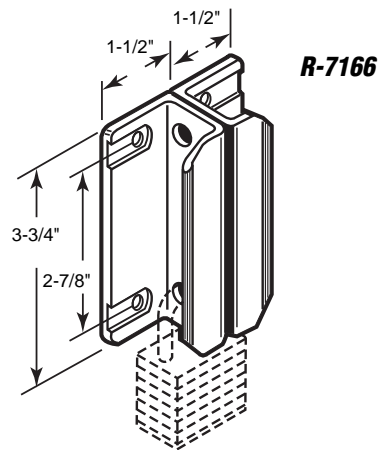
### Sliding Door Handle

**Contents:** 2 handles; 4 no. 10-24 x 1/2" carriage bolts; 4 no. 10-24 hex nuts; 4 lock washers.

**Description:** Heavy duty black nylon handles; tamper-proof screws; used to secure pairs of sliding doors on storage buildings.

**Note:** Lock not included.

You may wish to stock these related parts: R-7164, R-7165.



## R-7248 (Single door set)

## R-7249 (Double door set)

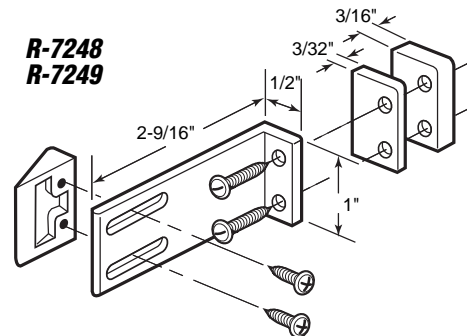
Call for Availability

### Refrigerator Door Latch

**Contents:** 1 set contains- 1 mounting bracket; 1 stop wedge; 4 spacers; 1 set of installation screws.

**Description:** Durable off-white plastic components; adjustable; positive latching action eliminates the need for other latching devices.

R-7248  
R-7249

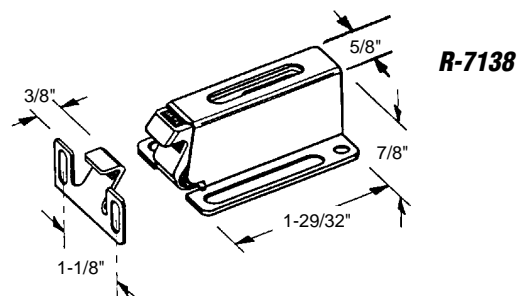


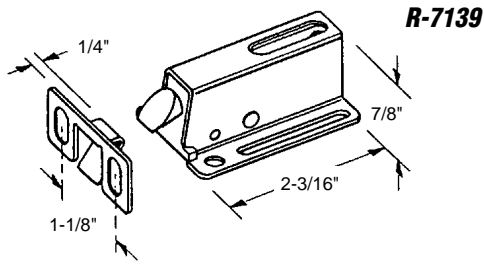
## R-7138 (Brown finish)

### Cabinet Door Catch

**Contents:** 1 catch; 1 keeper; 1 set of installation screws.

**Description:** Steel housing and keeper; nylon catch; positive latching action; frequently used on mobile home cabinets; latch retracts by pulling outside knob.



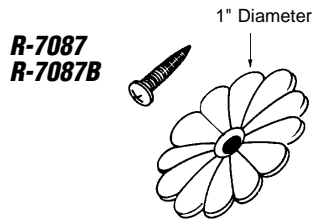


**R-7139** (Brown finish)

**Cabinet Door Catch**

**Contents:** 1 catch; 1 keeper; 1 set of installation screws.

**Description:** Steel housing and keeper; nylon catch; positive latching action; frequently used on mobile home cabinets; latch retracts by pulling outside knob.



**R-7087** (Carded)

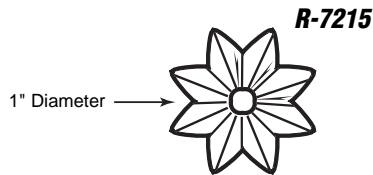
**R-7087B** (Bulk)

**Ceiling and Wall Board Rosettes** (White)

**Contents:** Carded- 5 rosettes; 5 no. 6 x 1-1/4" Phillips oval head sheet metal screws.

**Bulk-** 100 rosettes only.

**Description:** Nylon; petal design; used to secure ceiling panels or wall board in mobile homes.

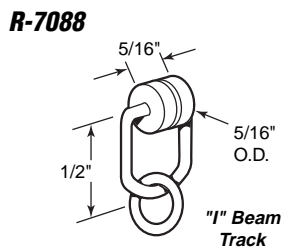


**R-7215** (Clear)

**Mirror Rosettes**

**Contents:** 6 rosettes; 6 no. 6 x 1-1/4" Phillips oval head sheet metal screws.

**Description:** Acrylic; star design; used to secure mirror to wall in mobile homes.

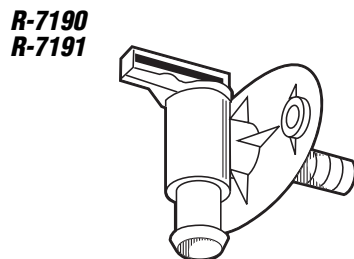


**R-7088**

**Drapery Carrier**

**Contents:** 12 carriers.

**Description:** RV drapery carriers designed for "I" beam track; nylon rollers, steel hangers; attaches curtain securely to track.



**R-7190** (1/2" tube fitting)

**R-7191** (3/8" tube fitting)

**Drain Valve**

**Contents:** 1 drain valve.

**Description:** Durable white plastic construction; used to drain built-in water tank.

**R-7198** (White)

**R-7199** (Brown)

## Skirting Vents

**Contents:** 50 vents per carton.

**Description:** Durable **plastic** construction; designed for installation on mobile home skirting; facilitates ventilation.

## R-7171

### Square Tip Screwdriver

**Contents:** 1 screwdriver.

**Description:** Zinc plated steel shank; nylon handle, for use on RV accessories which utilize 1/8" square recess fasteners.

***Drawer and cabinet hardware located in the following section, is used in both RV/mobile home and residential applications.***

