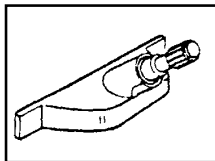


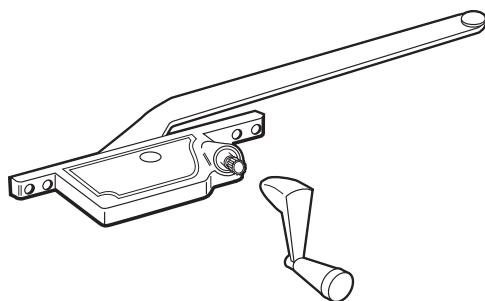
Square Type	Teardrop Type	Arm Length	Painted Finish	Hand*
H-3585	H-3581	6"	Aluminum	Left
H-3586	H-3582	6"	Aluminum	Right
H-3587	H-3583	6"	Bronze	Left
H-3588	H-3584	6"	Bronze	Right
—	H-3907	6"	White	Left
—	H-3908	6"	White	Right
<hr/>				
H-3512	H-3500	7"	Aluminum	Left
H-3518	H-3506	7"	Aluminum	Right
H-3515	H-3503	7"	Bronze	Left
H-3521	H-3509	7"	Bronze	Right
—	H-3909	7"	White	Left
—	H-3910	7"	White	Right
<hr/>				
H-3513	H-3501	8"	Aluminum	Left
H-3519	H-3507	8"	Aluminum	Right
H-3516	H-3504	8"	Bronze	Left
H-3522	H-3510	8"	Bronze	Right
H-3832	H-3830	8"	White	Left
H-3833	H-3831	8"	White	Right
<hr/>				
H-3514	H-3502	9"	Aluminum	Left
H-3520	H-3508	9"	Aluminum	Right
H-3517	H-3505	9"	Bronze	Left
H-3523	H-3511	9"	Bronze	Right
H-3710	H-3708	9"	White	Left
H-3711	H-3709	9"	White	Right
H-3886	—	9"	Brass Plated	Left
H-3887	—	9"	Brass Plated	Right

\* Hand determined by window hinge location from inside home looking out.



### Spindle (For crank)

Square Type = 3/8" Diameter  
Teardrop Type = 5/16" Diameter



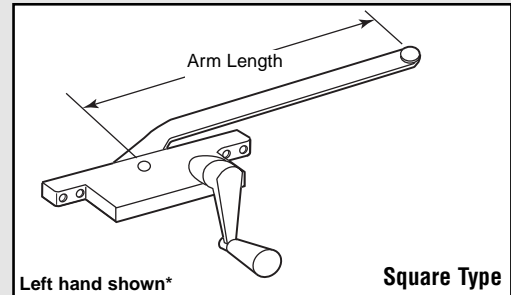
Left hand shown

## Casement Operators (Diecast - face mount)

**Contents:** 1 operator; 1 crank handle and 1 set of installation screws.

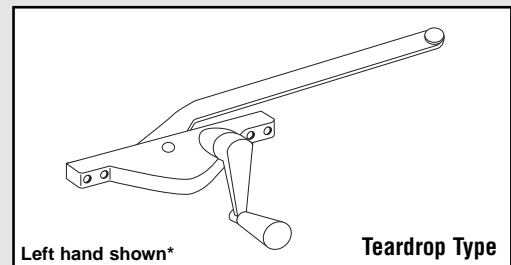
**Description:** Worm gear mechanism driven; steel arm; square type has 3/8" diameter spindle and teardrop type has 5/16" diameter spindle; used on steel framed windows.

You may also wish to stock these related parts: H-3529, H-3531 thru H-3534, H-3536, H-3537, H-3712 thru H-3715.



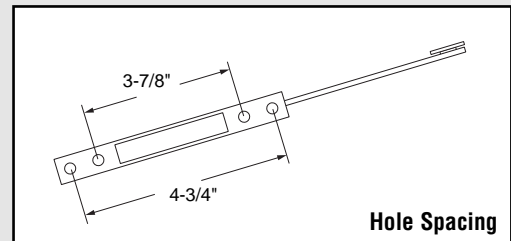
Left hand shown\*

Square Type



Left hand shown\*

Teardrop Type



Hole Spacing

## Casement Operators (Diecast - face mount)

**Contents:** 1 operator; 1 crank handle and 1 set of installation screws.

Part No.	Painted Finish	Hand*
H-3921	Aluminum	Left
H-3922	Aluminum	Right
H-3923	Bronze	Left
H-3924	Bronze	Right

Call for Availability

\* Hand determined by window hinge location from inside home looking out.

**Description:** Worm gear mechanism driven; steel arm; this style was used extensively in the Florida market.

# Window Hardware

## Casement Operators (Diecast - surface mount)

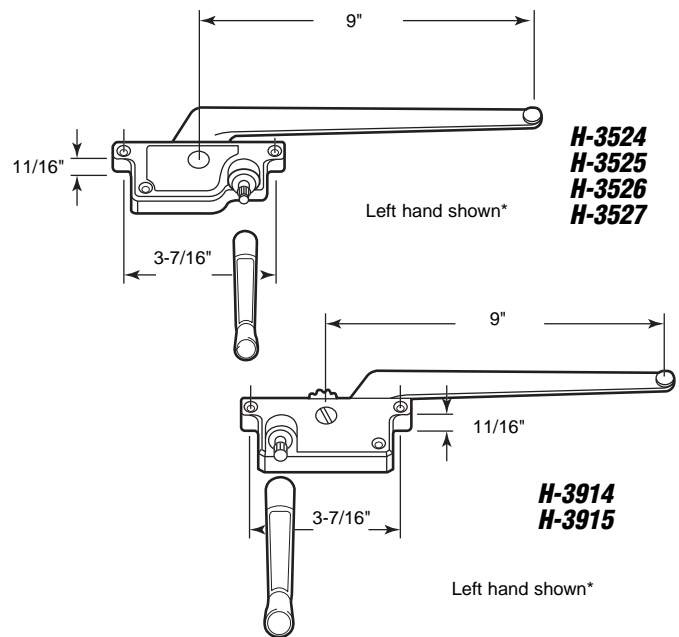
**Contents:** 1 operator; 1 crank handle and 1 set of installation screws.

Painted Part No.	Finish	Spindle Hand*	Dia.
H-3524	Aluminum	Left	3/8"
H-3525	Aluminum	Right	3/8"
H-3526	Bronze	Left	3/8"
H-3527	Bronze	Right	3/8"
H-3914 (Deluxe)	Bronze	Left	3/8"
H-3915 (Deluxe)	Bronze	Right	3/8"

\* Hand determined by window hinge location from inside home looking out.

**Description:** Worm gear mechanism driven; **steel arm**; used on **wood window frames** by many manufacturers.

You may also wish to stock these related parts: **H-3531** thru **H-3534**, **H-3595**.



## Casement Operators (Diecast - surface mount)

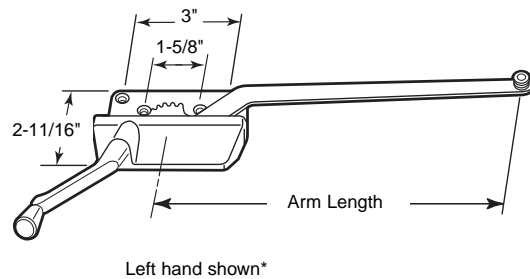
**Contents:** 1 operator; 1 crank handle and 1 set of installation screws.

Part No.	Arm Length	Painted Finish	Hand*	Spindle Dia.
H-3568	9-1/2"	Bronze	Left	
H-3569	9-1/2"	Bronze	Right	
H-3570	13-1/2"	Bronze	Left	
H-3571	13-1/2"	Bronze	Right	

\* Hand determined by window hinge location from inside home looking out.

**Description:** Worm gear mechanism driven; **steel arm**; used on **wood and vinyl framed windows**.

You may also wish to stock these related parts: **H-3531** thru **H-3534**, **H-3530**, **H-3572**, **H-3573**.



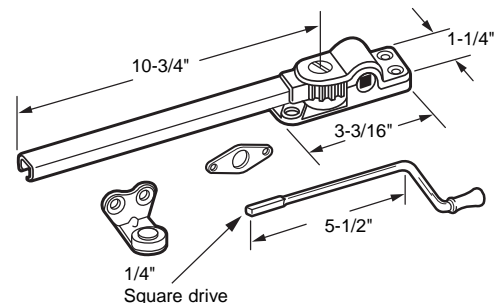
## Casement Operators (Diecast - surface mount)

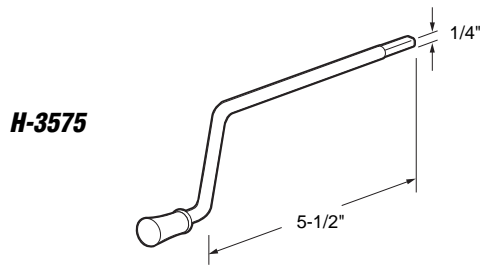
**Contents:** 1 operator; 1 crank handle and all mounting hardware

Part No.	Arm Finish	Package
H-3528	Uni-chrome	Skin card
H-3680	Uni-chrome	Display box
H-3687	Brass plated	Skin card
H-3688	Brass plated	Display box

**Description:** Reversible; non-handed; requires 1-3/8" space between screen and sash; **heavy cast worm gear** with **steel arm**; full 90° motion in both directions; fits on **Parlyn** and others on wood framed windows.

You may also wish to stock these related parts: **H-3575**.





**H-3575**

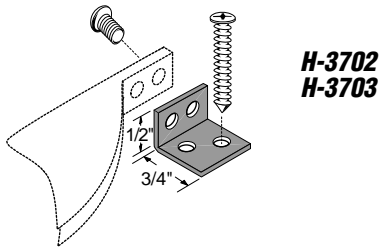
**H-3575**

**Casement Operator Handle** (Diecast)

**Contents:** 1 handle.

**Description:** Brass plated; 1/4" square shank; fits on *Wesco* and other type operators.

You may wish to stock these related parts: **H-3528, H-3580, H-3687, H-3688.**



**H-3702  
H-3703**

**H-3702** (Aluminum)

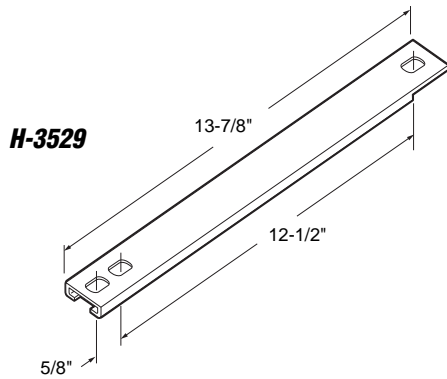
**H-3703** (Bronze)

**Casement Operator Mounting Brackets**

**Contents:** 2 brackets; 1 set of installation screws.

**Description:** Used to convert face mounted operator to surface mounted operator for wood windows; **stamped steel construction**; 2 holes are threaded to provide machine screw assembly to operator.

You may wish to stock these related parts: **H-3500 thru H-3523, H-3581 thru H-3588.**



**H-3529**

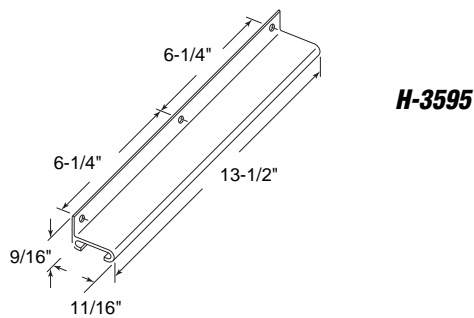
**H-3529**

**Casement Track** (For steel casements)

**Contents:** 2 tracks with mounting screws.

**Description:** Aluminum track attaches to steel window; channel accepts guide rivet on end of operator arm to accommodate opening and closing of window.

You may wish to stock these related parts: **H-3500 thru H-3523, H-3581 thru H-3588, H-3708 thru H-3711.**



**H-3595**

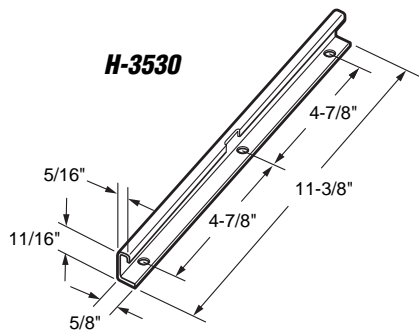
**H-3595**

**Casement Track** (For wood casements)

**Contents:** 1 track with mounting screws.

**Description:** Extruded aluminum track attaches to wood window; channel accepts guide roller on end of operator arm to accommodate opening and closing of window.

You may wish to stock these related parts: **H-3524 thru H-3527, H-3914, H-3915.**



**H-3530**

**H-3530**

**Casement Track** (For wood or vinyl casements)

**Contents:** 1 track with mounting screws.

**Description:** Stamped steel track attaches to wood or vinyl windows; channel accepts guide roller on end of operator arm to accommodate opening and closing of window.

You may wish to stock these related parts: **H-3568 thru H-3571.**

**H-3572** (Left hand)

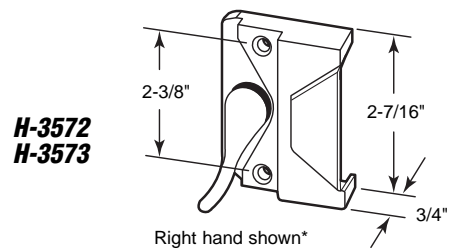
**H-3573** (Right hand)

## Casement Lock (Bronze finish)

**Contents:** 1 locking unit; 1 keeper; 1 set of installation screws.

**Description:** Diecast housing with steel locking mechanism and keeper; use by many manufacturers of wood and vinyl framed windows.

You may wish to stock these related parts: **H-3568 thru H-3571**.



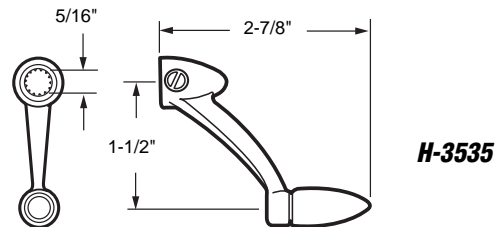
\* Handing determined by window hinge location from *inside* home looking *out*, when unit is in the locked position.

**H-3535** (Aluminum)

## Casement Operator Crank Handle

**Contents:** 1 handle.

**Description:** Zinc diecast handle; 5/16" bore; fits on *Parlyn*.



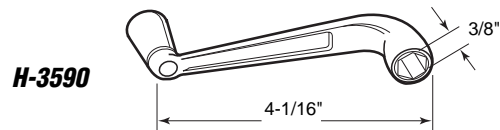
**H-3590** (Aluminum)

## Awning Operator Crank Handle (3/8" Hex)

**Contents:** 1 handle with set screw.

**Description:** Zinc diecast handle; used with H-3591 operator and H-3632 hex drive bar.

You may wish to stock these related parts: **H-3589, H-3591, H-3632**.

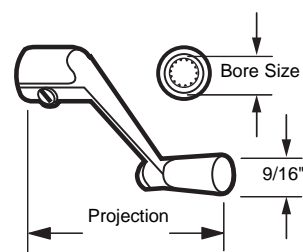


## Casement Operator Crank Handle

**Contents:** 1 handle.

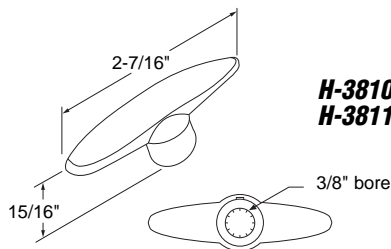
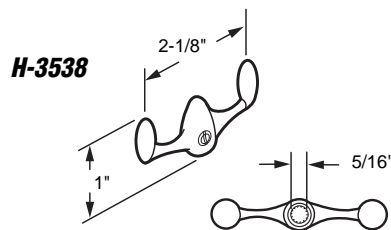
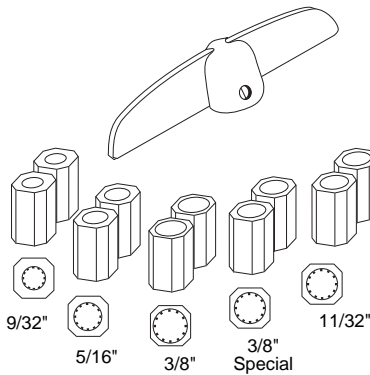
Part No.	Painted Finish	Bore Size	Projection
H-3531	Aluminum	5/16"	2-11/16"
H-3532	Bronze	5/16"	2-11/16"
H-3712	White	5/16"	2-11/16"
H-3686	Bronze	11/32"	3"
H-3533	Aluminum	3/8"	2-11/16"
H-3534	Bronze	3/8"	2-11/16"
H-3713	White	3/8"	2-11/16"
H-3685	Aluminum	3/8"	3-1/2"

**Description:** Diecast handle; universal design; this crank style handle offers excellent torque for easiest opening and closing of window.



Part No.	Painted Finish	Bore Size	Fits on
H-3536	Aluminum	5/16"	Many Mfrs.
H-3537	Aluminum	3/8"	Many Mfrs.
H-3624	Bronze	5/16"	Many Mfrs.
H-3625	Bronze	3/8"	Many Mfrs.
H-3714	White	5/16"	Many Mfrs.
H-3715	White	3/8"	Many Mfrs.
H-3823	Light Brass	5/16"	Many Mfrs.
H-3801	Coppertone	11/32"	Truth
H-3802	Bronze	11/32"	Truth
H-3803	Star Brown	11/32"	Truth
H-3804	White	11/32"	Truth
H-3805	Chestnut Bronze	11/32"	Truth
H-3806	Light Brass	11/32"	Truth
H-3825	Beige	11/32"	Truth
H-3826	Gold	11/32"	Truth
H-3807	Star Brown	5/16"	Many Mfrs.
H-3808	Star Brown	3/8"	Anderson
H-3809	Light Brass	3/8"	Anderson
H-3812	Driftwood	9/32"	Peachtree
H-3813	Copper	3/8"*	Pella
H-3814	White	3/8"*	Pella
H-3824	Bronze	11/16"	Marvin

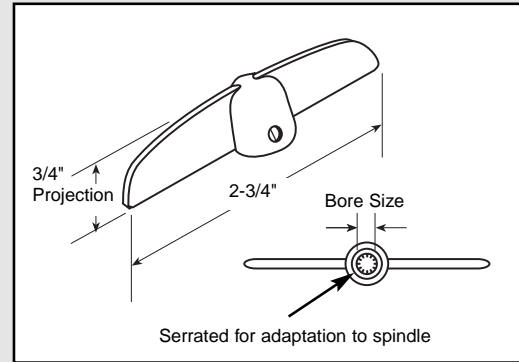
\* This 3/8" bore has a special deep inset serration.



## Casement Operator Tee Handle

**Contents:** 2 handles.

**Description:** Diecast handle; supplied with set screw; replaces most crank style handles and does not interfere with blinds, shades and shutters, etc; colors vary to various manufacturers' specifications.



- H-3885** (Aluminum)
- H-3892** (White)
- H-3893** (Bronze)
- H-3894** (Star brown)
- H-3895** (Driftwood)
- H-3896** (Champaigne)

## Casement Operator *Universal* Tee Handles

**Contents:** 2 handles; 5 sets (10) adapter inserts.

**Description:** Diecast handles; 2 diecast adapters for each of 5 different popular bore sizes; appropriate adapter fits over spindle on operator; tee-handle then fits over adapter and is locked on to spindle with set screw.

- H-3538** (Aluminum)

## Jalousie Operator Tee Handle

**Contents:** 1 handle.

**Description:** Diecast handle; fits 5/16" spindle as fits on *Parlyn*.

- H-3810** (Gray)
- H-3811** (White)

## Awning Operator Tee Handle

**Contents:** 2 handles.

**Description:** Diecast handle; universal design with 3/8" bore size.

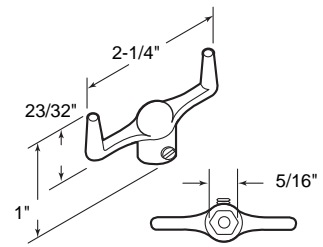
## H-3592

### Awning Operator Tee Handle

**Contents:** 1 handle.

**Description:** Diecast handle; uniquely designed for 5/16" hex drive operators.

## H-3592



**H-3596** (Aluminum - left hand)

**H-3597** (Aluminum - right hand)

**H-3598** (Bronze - left hand)

**H-3599** (Bronze - right hand)

**H-3820** (White - left hand)

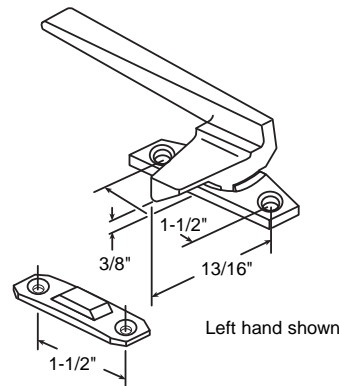
**H-3821** (White - right hand)

### Casement Locking Handle (Offset base)

**Contents:** 1 locking handle; 1 keeper; 1 set of installation screws.

**Description:** Diecast locking handle and keeper with 1-1/2" hole centers; similar to *Truth* hardware; uses #10 flat head machine screws commonly used on metal framed windows.

You may wish to stock these related parts: **H-3604**, **H-3605**.



Left hand shown

**H-3853** (Aluminum - left hand)

**H-3854** (Aluminum - right hand)

**H-3855** (Bronze - left hand)

**H-3856** (Bronze - right hand)

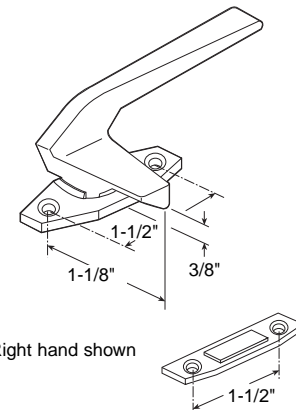
**H-3857** (White - left hand)

**H-3858** (White - right hand)

### Casement Locking Handle (In-line base)

**Contents:** 1 locking handle; 1 keeper; 1 set of installation screws.

**Description:** Diecast locking handle and keeper with 1-9/16" hole centers; uses #8 sheet metal screws for application to wood framed windows.



Right hand shown

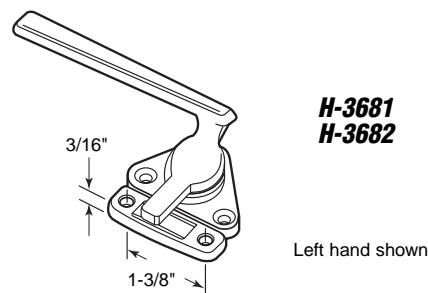
**H-3681** (Left hand)

**H-3682** (Right hand)

### Casement Locking Handle

**Contents:** 1 handle; 1 strike; 1 set of installation screws.

**Description:** Zinc diecast locking handle; aluminum finish.



## H-3681 H-3682

Left hand shown

**H-3600** (Left hand)

**H-3601** (Right hand)

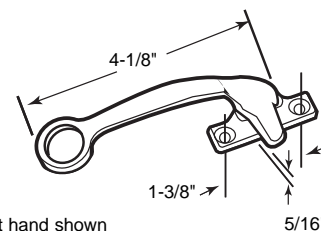
### Casement Locking Handle

**Contents:** 1 handle.

**Description:** Heavy bronze casting; 1-3/8" hole centers for steel windows; hole in lock handle allows it to be used, in elevated location, for pole operation.

You may wish to stock these related parts: **H-3659**.

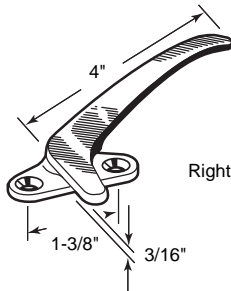
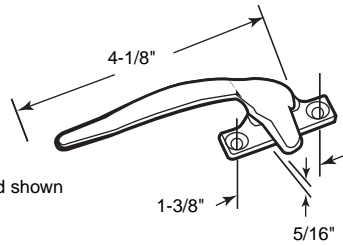
## H-3600 H-3601



Left hand shown

**H-3602**  
**H-3603**

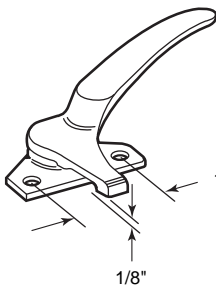
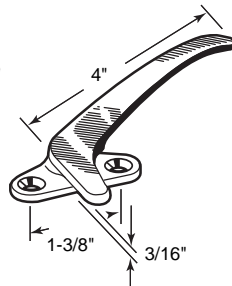
Left hand shown



Right hand shown

**H-3640**  
**H-3641**

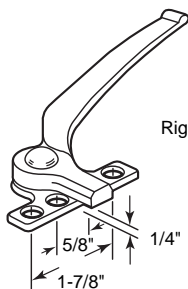
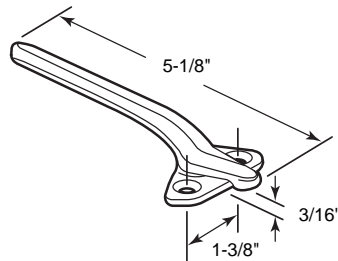
**H-3642**



**H-3644**  
**H-3645**

Right hand shown

**H-3643**



Right hand shown

**H-3646**  
**H-3647**

**H-3602** (Left hand)  
**H-3603** (Right hand)

**Casement Locking Handle**

**Contents:** 1 handle.

**Description:** Heavy bronze casting; polished finish; 1-3/8" hole centers for steel windows; used by many commercial window manufacturers.

You may wish to stock these related parts: **H-3659**.

**H-3640** (Left hand)  
**H-3641** (Right hand)

**Casement Window Handle**

**Contents:** 1 handle; 1 set of installation screws.

**Description:** Polished red bronze (85% copper); 1-3/8" hole centers; used on many casement windows.

**H-3642**

**Hopper Window Locking Handle**

**Contents:** 1 handle; 1 set of installation screws.

**Description:** Heavy bronze casting; dark bronze finish; 1-3/8" hole centers; used as top handle on project-out windows.

You may wish to stock these related parts: **H-3643**.

**H-3644** (Left hand)  
**H-3645** (Right hand)

**Casement Locking Handle**

**Contents:** 1 handle; 1 set of installation screws.

**Description:** Heavy bronze casting; dark bronze finish; used on steel projecting and casement windows; 1-1/4" hole centers.

**H-3643**

**Hopper Window Locking Handle**

**Contents:** 1 handle; 1 set of installation screws.

**Description:** Heavy bronze casting; dark bronze epoxy finish; used as bottom handle on hopper windows.

You may wish to stock these related parts: **H-3642**.

**H-3646** (Left hand)  
**H-3647** (Right hand)

**Casement or Projecting Window Locking Handle**

**Contents:** 1 handle; 1 set of installation screws.

**Description:** Heavy bronze casting; dark bronze finish; 4 hole mounting bracket; used as a top handle on dual hopper windows.

You may wish to stock these related parts: **H-3648**.

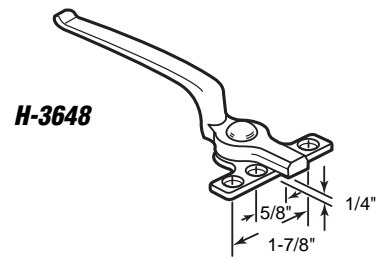
## H-3648

### Casement or Projecting Window Locking Handle

**Contents:** 1 handle; 1 set of installation screws.

**Description:** Heavy bronze casting; dark bronze finish; 4 hole mounting bracket; used as a **bottom handle** on dual hopper windows.

You may wish to stock these related parts: **H-3646, H-3647.**



## H-3649 (Left hand)

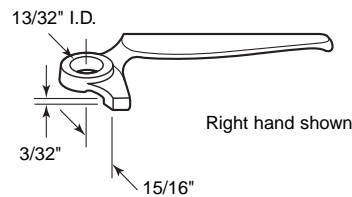
## H-3650 (Right hand)

### Casement or Projecting Window Locking Handle

**Contents:** 1 handle.

**Description:** Heavy bronze casting; dark bronze finish; locking handle fits on old style *Fenestra* windows.

You may wish to stock these related parts: **H-3658.**



**H-3649  
H-3650**

## H-3651 (Left hand)

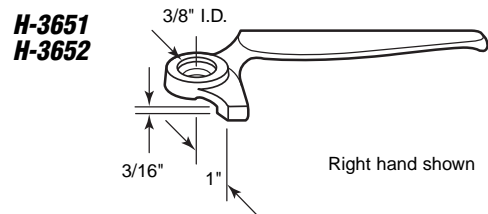
## H-3652 (Right hand)

### Casement or Projecting Window Locking Handle

**Contents:** 1 handle.

**Description:** Heavy bronze casting; dark bronze finish; locking handle fits on *Fenestra* windows.

You may wish to stock these related parts: **H-3658.**



**H-3651  
H-3652**

## H-3653 (Red bronze - left hand)\*

## H-3654 (Red bronze - right hand)\*

## H-3704 (Zinc - left hand)

## H-3705 (Zinc - right hand)

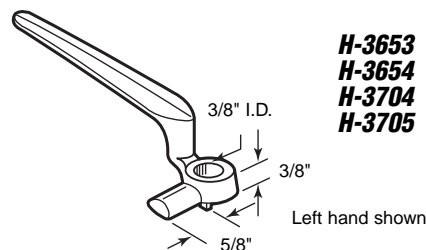
### Casement or Projecting Window Locking Handle

**Contents:** 1 handle.

**Description:** Zinc & red bronze castings; locking handle used on old style casement windows; fits on *Fenestra* and others.

\*Call for availability on these items.

You may wish to stock these related parts: **H-3658.**



**H-3653  
H-3654  
H-3704  
H-3705**

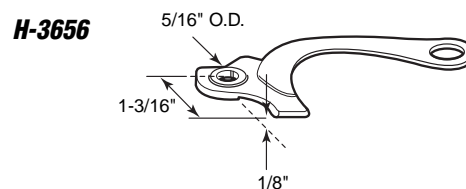
## H-3656

### Casement or Projecting Window Locking Handle

**Contents:** 1 handle.

**Description:** Red bronze casting (81% copper); locking handle used on old style steel windows.

You may wish to stock these related parts: **H-3658.**



**H-3656**

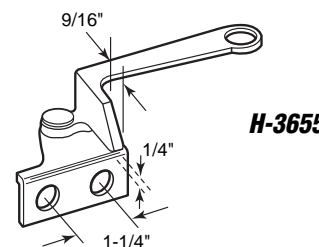
## H-3655

### Casement or Projecting Window Locking Handle

**Contents:** 1 handle.

**Description:** Polished red bronze casting (81% copper); fits in upper position on *Lupton* dual projecting windows.

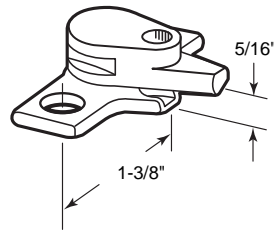
You may wish to stock these related parts: **H-3661.**



**H-3655**



**H-3633**



**H-3633**

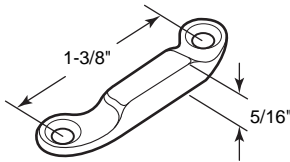
**Casement Security Lock**

**Contents:** 1 lock; 1 set of installation screws.

**Description:** Heavy bronze casting; used to prevent accidental opening; often referred to as an air conditioner lock; 1-3/8" hole centers; fits most steel windows.

You may wish to stock these related parts: H-3638, H-3659, H-3926.

**H-3659**



**H-3659**

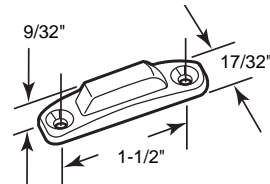
**Casement Locking Handle Strikeplate**

**Contents:** 1 strike; 1 set of installation screws.

**Description:** Heavy bronze casting; strike used with many different types of locking handles.

You may wish to stock these related parts: H-3600 thru H-3603.

**H-3604  
H-3605**



**H-3604** (Aluminum)

**H-3605** (Bronze)

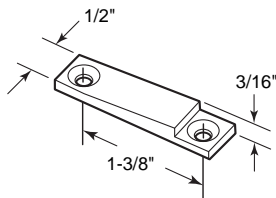
**Casement Locking Strikeplate**

**Contents:** 1 strike housing; 1 strike insert; 1 set of installation screws.

**Description:** Nylon strike insert provides long lasting, trouble free wear; diecast base in painted finishes.

You may wish to stock these related parts: H-3596 thru H-3599.

**H-3663**



**H-3663**

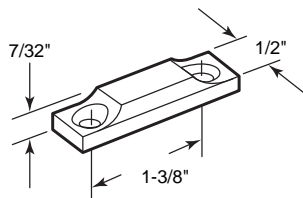
**Casement Locking Handle Strikeplate**

**Contents:** 2 strikes.

**Description:** Extruded aluminum strike has angled surface plate; 1-3/8" hole centers; 3/16" maximum height.

You may wish to stock these related parts: H-3659, H-3660.

**H-3660**



**H-3660**

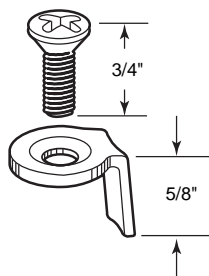
**Casement Locking Handle Strikeplate**

**Contents:** 1 strike; 1 set of installation screws.

**Description:** Heavy bronze casting; used with many different types of locking handles.

You may wish to stock these related parts: H-3600 thru H-3603.

**H-3658**



**H-3658**

**Single Hole Locking Clevis & Screw**

**Contents:** 1 clevis; 1 screw with washer.

**Description:** Assembly used to attach one hole locking handles; dark bronze finish.

You may wish to stock these related parts: H-3649 thru H-3654, H-3656.

# Window Hardware

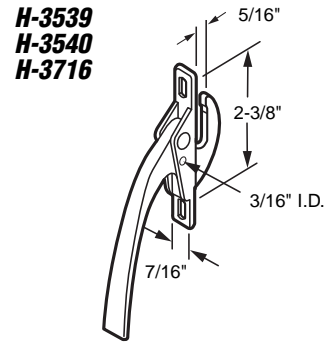
- H-3539** (Aluminum)
- H-3540** (Bronze)
- H-3716** (White)

## Casement Locking Handle

**Contents:** 1 handle; 1 set of installation screws.

**Description:** Painted diecast window lock for aluminum or steel windows; accepts a 1/8" security pin, **S-4071**.

You may wish to stock these related parts: **H-3545, S-4071**.



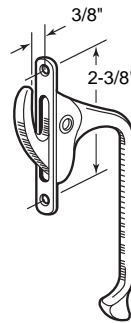
## H-3561

### Casement Locking Handle

**Contents:** 1 handle.

**Description:** Dark bronze casting; non-handed; 2-3/8" hole centers.

You may wish to stock these related parts: **H-3545**.



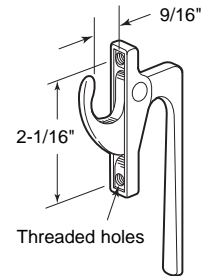
**H-3561**

## H-3562

### Casement Locking Handle

**Contents:** 1 handle.

**Description:** White bronze casting; dark bronze finish; internally threaded #12-24 mounting holes; fits on *Fenestra* windows.



**H-3562**

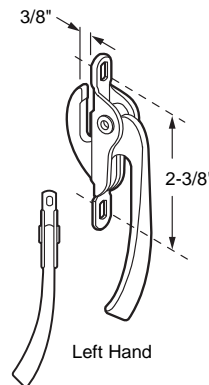
- H-3541** (Aluminum)
- H-3543** (Bronze)
- H-3717** (White)
- H-3902** (Red - for emergency exits)

## Casement Locking Handle (Left hand)

**Contents:** 1 handle; 1 set of installation screws.

**Description:** Left hand; painted diecast locking handle used on double windows with narrow center rail.

You may wish to stock these related parts: **H-3544, H-3545**.



Left Hand

**H-3541  
H-3543  
H-3717  
H-3902**

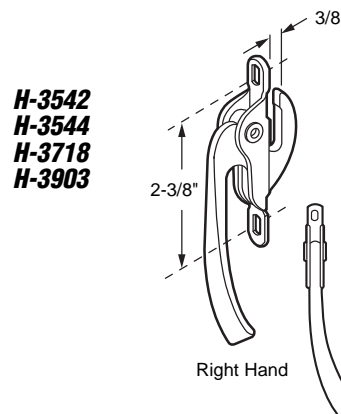
- H-3542** (Aluminum)
- H-3544** (Bronze)
- H-3718** (White)
- H-3903** (Red - for emergency exits)

## Casement Locking Handle (Right hand)

**Contents:** 1 handle; 1 set of installation screws.

**Description:** Right hand; painted diecast locking handle used on double windows with narrow center rail.

You may wish to stock these related parts: **H-3543, H-3545**.

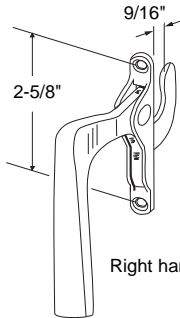
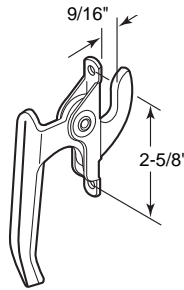


Right Hand

**H-3542  
H-3544  
H-3718  
H-3903**

**H-3559**  
**H-3560**

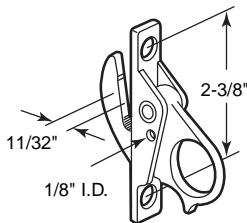
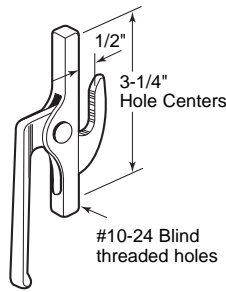
Left hand shown



**H-3563**  
**H-3564**

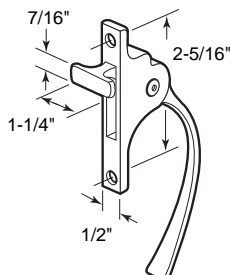
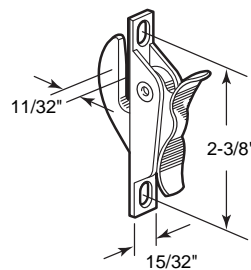
Right hand shown

**H-3639**



**H-3576**

**H-3631**



**H-3565**

**H-3559** (Left hand)

**H-3560** (Right hand)

**Casement Locking Handle**

**Contents:** 1 handle.

**Description:** Stamped steel construction; aluminum finish; fits on *Fenestra* windows.

You may wish to stock these related parts: **H-3563, H-3564.**

**H-3563** (Left hand)

**H-3564** (Right hand)

**Casement Locking Handle**

**Contents:** 1 handle.

**Description:** White bronze casting; polished finish; 2-5/8" hole centers; fits on *Fenestra* and *Ceco* windows.

**H-3639**

**Casement Locking Handle**

**Contents:** 1 handle; 1 set of mounting screws.

**Description:** Heavy bronze casting; 3-1/4" hole centers; no. 10-24 blind mounting holes; fits on *Thorn* on steel windows.

You may wish to stock these related parts: **H-3545, H-3562.**

**H-3576** (Aluminum)

**Casement Locking Handle**

**Contents:** 1 handle; 1 set of installation screws.

**Description:** Ring type locking handle; zinc diecast painted finish; 2-3/8" hole centers.

You may wish to stock these related parts: **H-3545, S-4071.**

**H-3631** (Bronze)

**Casement Cam Lock**

**Contents:** 1 lock; 1 set of installation screws.

**Description:** Painted zinc diecast; thumb operated; for aluminum, steel or wood windows.

You may wish to stock these related parts: **H-3545.**

**H-3565** (Bronze)

**Casement Dual Locking Handle**

**Contents:** 1 handle.

**Description:** Painted diecast locking handle; dual latch engages 2 windows at once; fits on *Lupton* windows.

You may wish to stock these related parts: **H-3566, H-3567.**

## H-3612 (Bronze)

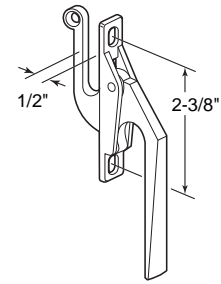
### Casement Window Bottom Latch (Dual Locking)

**Contents:** 1 handle; 1 set of installation screws.

**Description:** Painted zinc diecast bottom latch used on dual locking windows; connects to H-3611 top latch with a tie bar.

You may wish to stock these related parts: H-3545.

H-3612



## H-3611 (Bronze)

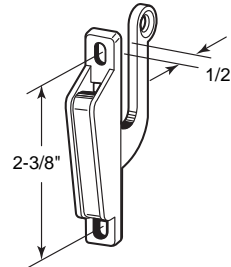
### Casement Window Top Latch (Dual Locking)

**Contents:** 1 handle; 1 set of installation screws.

**Description:** Painted zinc diecast top latch used on dual locking windows; connects to H-3612 bottom latch with a tie bar.

You may wish to stock these related parts: H-3545.

Call for  
Availability



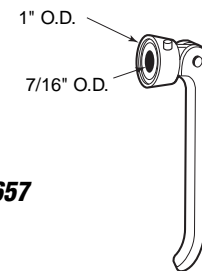
H-3611

## H-3657 (Bronze)

### Casement Locking Handle

**Contents:** 1 handle.

**Description:** Painted zinc diecast locking handle fits on very old *Fenestra* windows; handle is spring loaded and pulls out.



H-3657

## H-3606 (Left hand)

## H-3607 (Right hand)

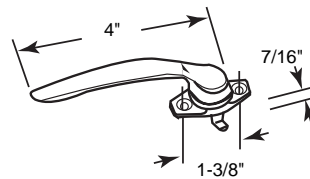
### Casement Project-In Locking Handle (7/16")

**Contents:** 1 handle; 1 set of installation screws.

**Description:** 7/16" hook projection; heavy bronze casting; 1-3/8" hole centers; used on steel windows.

You may wish to stock these related parts: H-3608, H3609, H3634 thru H-3637, H-3659, H-3660.

H-3606  
H-3607



Left hand shown

## H-3608 (Left hand)

## H-3609 (Right hand)

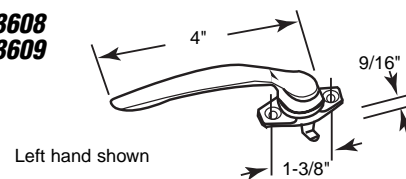
### Casement Project-In Locking Handle (9/16")

**Contents:** 1 handle; 1 set of installation screws.

**Description:** 9/16" hook projection; heavy bronze casting; 1-3/8" hole centers; used on steel windows.

You may wish to stock these related parts: H-3606, H-3607, H-3634 thru H-3637, H-3659, H-3660.

H-3608  
H-3609



Left hand shown

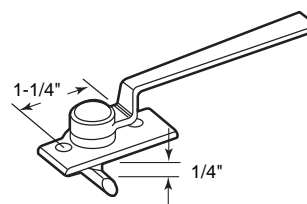
## H-3661

### Casement or Projecting Window Locking Handle

**Contents:** 1 handle.

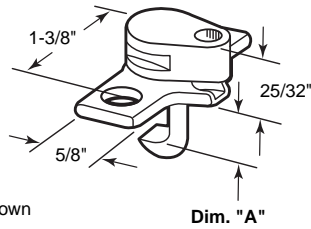
**Description:** Red bronze casting (81% copper); bottom locking handle fits on old style projecting windows manufactured by *Lupton*.

You may wish to stock these related parts: H-3655.



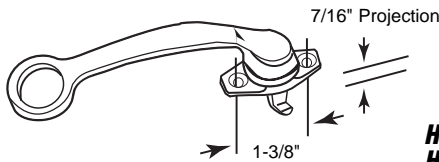
H-3661

**H-3634  
H-3635  
H-3636  
H-3637**



Right hand shown

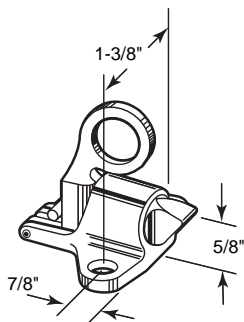
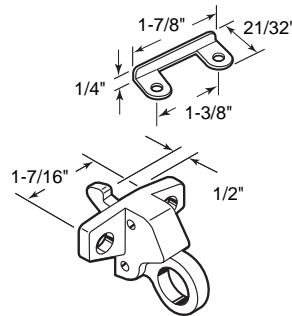
Dim. "A"



Left hand shown

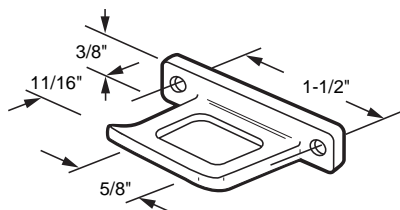
**H-3911  
H-3912**

**H-3594**



**H-3610**

**H-3913**



**Casement Project-In Security Lock**

**Contents:** 1 lock; 1 set of installation screws.

Part No.	Dim. "A"	Hand
H-3634	7/16"	Left
H-3635	7/16"	Right
H-3636	9/16"	Left
H-3637	9/16"	Right

**Description:** Heavy bronze casting; used to prevent accidental opening; often referred to as an air conditioner lock; 1-3/8" hole centers; fits most steel windows.

You may wish to stock these related parts: H-3659, H-3660, H-3926.

**H-3911** (Left hand)  
**H-3912** (Right hand)

**Casement Project-In Locking Handle**

**Contents:** 1 handle; 1 set of installation screws.

**Description:** Cast white bronze locking handle; 7/16" hook projection; 1-3/8" hole centers; used on steel windows.

**H-3594** (Bronze)

**Project-In Transom Latch**

**Contents:** 1 latch; 1 keeper; 1 set of installation screws.

**Description:** Steel pole ring and latch hook; cast bronze housing; used on project-in windows; used by many manufacturers.

You may wish to stock these related parts: H-3626 thru H-3628.

**H-3610**

**Projecting Window Spring Catch**

**Contents:** 1 catch; 1 set of installation screws.

**Description:** Spring catch with ring is used on project-in or project-out windows; brushed white bronze finish; heavy bronze casting.

You may wish to stock these related parts: H-3626 thru H-3628.

**H-3913**

**Keeper**

**Contents:** 1 keeper.

**Description:** White bronze casting; used with H-3610 spring catch.

**H-3629** (Bronze)

## Project-Out Push-Bar Operator

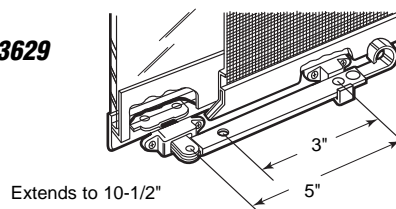
*Call for Availability*

**Contents:** 1 operator; 1 thru frame guide; 1 arm holder; 1 set of installation screws.

**Description:** Painted steel operator used to open old style projecting windows; **extends to 10-1/2"**; used by many window manufacturers.

You may wish to stock these related parts: **H-3626 thru H-3628**.

**H-3629**



Extends to 10-1/2"

**H-3906** (Bronze)

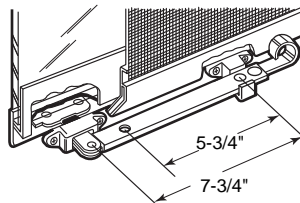
## Project-Out Push-Bar Operator

*Call for Availability*

**Contents:** 1 operator; 1 thru frame guide; 1 arm holder; 1 set of installation screws.

**Description:** Painted steel operator used to open old style projecting windows; **extends to 16"**; used by many window manufacturers.

You may wish to stock these related parts: **H-3626 thru H-3628**.



Extends to 16"

**H-3906**

**H-3553** (Brass)

**H-3683** (Antique brass)

**H-3684** (Chrome)

**H-3836** (White)

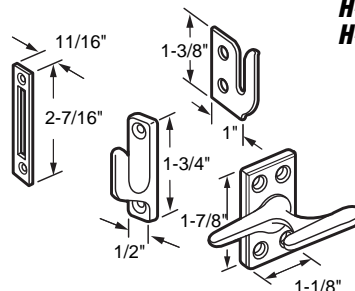
## Casement Lock

**Contents:** 1 lock; 3 keepers; 1 set of installation screws.

**Description:** Painted or plated zinc diecast locking handle has 3 different keepers for special mounting applications; used on old style wood casement windows.

You may wish to stock these related parts: **H-3528, H-3575, H-3680**.

**H-3553  
H-3683  
H-3684  
H-3836**



**H-3545** (Aluminum)

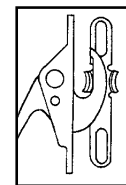
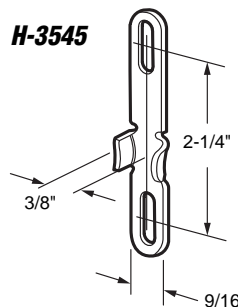
## Universal Casement Lock Keeper

**Contents:** 2 keepers; 2 sets of installation screws.

**Description:** Stamped aluminum keeper works on many types of casement windows.

You may wish to stock these related parts: **H-3539, H-3540**.

**H-3545**



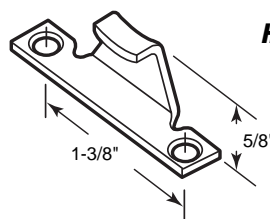
**H-3574** (Gold irridite finish)

## Casement Lock Keeper

**Contents:** 1 keeper; 1 set of installation screws.

**Description:** Keeper for **H-3572** and **H-3573** casement locks; stamped steel construction.

**H-3574**



**H-3888**

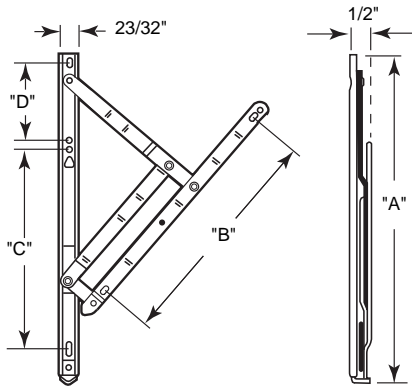


**H-3888**

**Casement Lock Keeper**

**Contents:** 1 keeper; 1 set of installation screws.

**Description:** **Stainless steel keeper**; may be used on a variety of casement locks; reverse for left or right hand locks.



**H-3626  
H-3627  
H-3628**

**Casement And Projecting Window Hinge (4-Bar)**

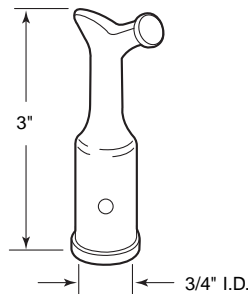
**Contents:** 2 hinges; 1 set of installation screws.

Part No.	Dim. A	Dim. B	Dim. C	Dim. D
H-3626	8"	4-3/4"	5-5/32"	1-5/8"
H-3627	10"	5-3/4"	6-1/32"	2-3/4"
H-3628	12"	6-3/4"	6-15/16"	3-7/8"

**Description:** **Stainless steel**, non-handed 4 bar hinge with stop and adjustable friction pad; used by many window manufacturers; standard duty.

You may also wish to stock these related parts: **H-3596 thru H-3598.**

**H-3662**



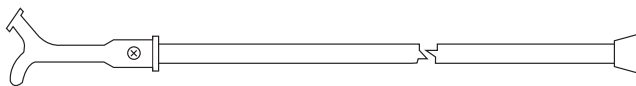
**H-3662**

**Transom Latch Hook**

**Contents:** 1 hook.

**Description:** **White bronze casting**; fits a 3/4" diameter pole; for ring pull handles and latches on upper story windows.

You may wish to stock these related parts: **H-3600, H-3601, H-3610.**



**H-3753  
H-3905**

**H-3753**

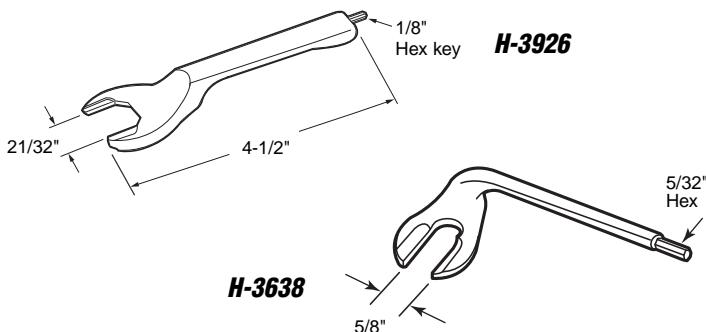
**H-3905 (With storage hanger)**

**Transom Pole & Hook**

**Contents:** 1 - 6' pole; 1 hook; 1 rubber tip; 1 screw.

**Description:** **Cast white bronze hook**; 3/4" diameter **aluminum pole**; ideal for reaching and actuating ring latches on upper story windows.

You may wish to stock these related parts: **H-3600, H-3601, H-3610.**



**H-3926**

**H-3638**

**H-3638 (5/32" hex wrench)**

**H-3926 (1/8" hex wrench)\***

**Security Lock Wrench**

**Contents:** 1 wrench.

**Description:** **Heavy bronze casting**; used to lock and unlock "project-in" security locks; also has hex tool to secure set screw; polished finish.

**\*Call for availability on this item.**

You may wish to stock these related parts: **H-3633 thru H-3637.**

## Universal Louver Operator

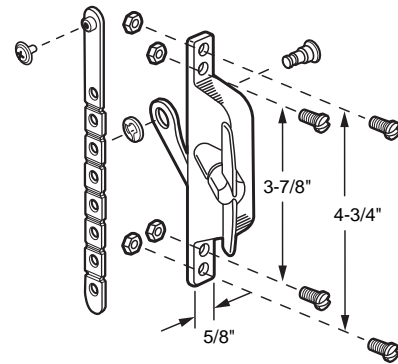
**Contents:** 1 operator with link; 1 set of installation fasteners.

**Bulk:** 25 per display box.

Finish	Carded Part No.	Bulk Part No.
Aluminum	H-3546	CCEP-3546
Bronze	H-3547	CCEP-3547
White	H-3818	CCEP-3818

**Description:** Replaces most operators currently in use; **diecast** construction; reversible; non-handed; universal break-off link has 1/2" hole spacings up to 5-5/16"; has a 5/16" spindle and **diecast** "T" handle.

You may wish to stock these related parts: **H-3552, H-3557, S-4070, S-4072.**



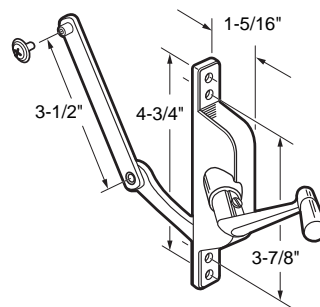
## H-3548 (Carded) CCEP-3548 (Bulk)

### Jalousie Operator (Aluminum)

**Contents:** 1 operator with link; 1 set of installation fasteners.

**Bulk:** 25 per display box.

**Description:** **Diecast** operator with crank handle at the center position; 3-1/2" link.



**H-3548  
CCEP-3548**

## H-3549 (Left hand - carded) CCEP-3549 (Left hand - bulk) H-3550 (Right hand - carded) CCEP-3550 (Right hand - bulk)

### Jalousie Operator (Aluminum)

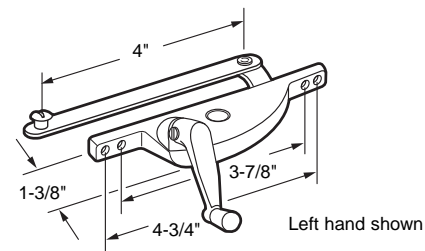
**Contents:** 1 operator with link; 1 set of installation fasteners.

**Bulk:** 25 per display box.

**Description:** **Diecast** operator with crank handle at the offset position; 4" link.

You may wish to stock these related parts: **S-4070, S-4072.**

**H-3549  
CCEP-3549  
H-3550  
CCEP-3550**



## Jalousie Operator

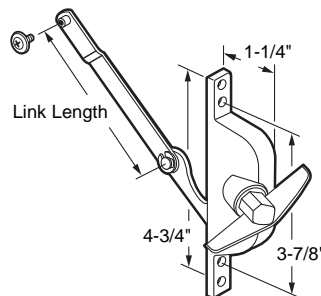
**Contents:** 1 operator with link; 1 set of installation fasteners.

**Bulk:** 25 per display box.

Finish	4-1/4" Link	3-5/8" Link
Aluminum	H-3551	H-3932
Bronze	H-3890	H-3933
White	H-3891	H-3938
Aluminum (Bulk)	CCEP-3551	—

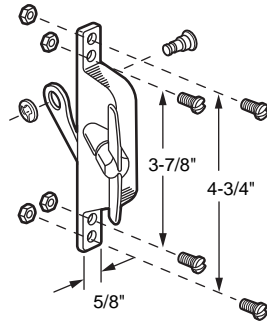
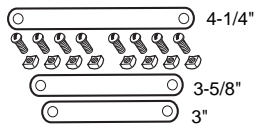
**Description:** **Diecast** operator fits on **Daryl** windows; **offset** link; center position "T" handle.

You may wish to stock these related parts: **S-4070, S-4072.**





**H-3557**  
**H-3558**  
**H-3819**  
**CCEP-3557**



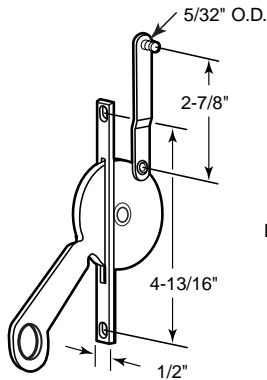
**H-3557** (Aluminum - carded)  
**CCEP-3557** (Aluminum - bulk)  
**H-3558** (Bronze - carded)  
**H-3819** (White - carded)

**Jalousie Operator**

**Contents:** 1 operator; 3 links; 1 set of installation fasteners.  
**Bulk:** 25 per display box.

**Description:** Diecast operator with **3 link assortment**; center position "T" handle; designed to replace most jalousie operators.

You may wish to stock these related parts: **S-4070, S-4072.**



**H-3556**  
**H-3707**

Left hand shown

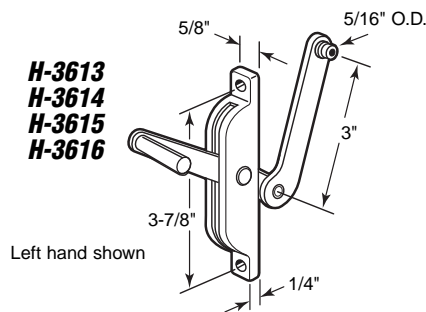
**H-3556** (Left hand)  
**H-3707** (Right hand)

**Jalousie Operator**

**Contents:** 1 operator with link; 1 set of installation fasteners.

**Description:** Stamped aluminum operator; slim-line design; with **2-7/8" offset link arm**.

You may wish to stock these related parts: **S-4070, S-4072.**



**H-3613**  
**H-3614**  
**H-3615**  
**H-3616**

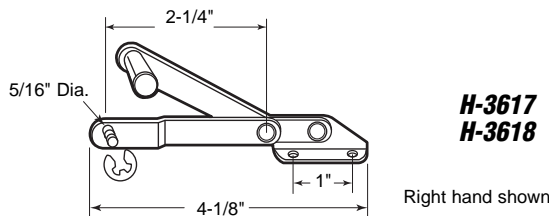
Left hand shown

**H-3613** (Aluminum - left hand)  
**H-3614** (Aluminum - right hand)  
**H-3615** (Bronze - left hand)  
**H-3616** (Bronze - right hand)

**Louver or Jalousie Operator**

**Contents:** 1 operator; 1 set of installation fasteners.

**Description:** Diecast housing with **3" aluminum link arm**; fits on *Visualite* and *Premiere*.



**H-3617**  
**H-3618**

Right hand shown

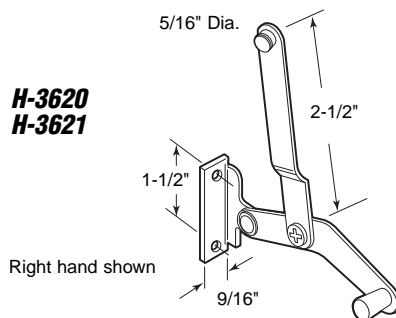
**H-3617** (Left hand)  
**H-3618** (Right hand)

**Louver or Jalousie Operator**

**Contents:** 1 operator; 1 set of installation fasteners.

**Description:** Aluminum construction; grooved stud attaches to moving arm; complete with **steel "E" ring**; fits on *International* windows.

You may wish to stock these related parts: **H-3619.**



**H-3620**  
**H-3621**

Right hand shown

**H-3620** (Left hand)  
**H-3621** (Right hand)

**Louver or Jalousie Operator**

**Contents:** 1 operator; 1 set of installation fasteners.

**Description:** Aluminum construction; attaches to moving arm of window to open glass vents.

## H-3552

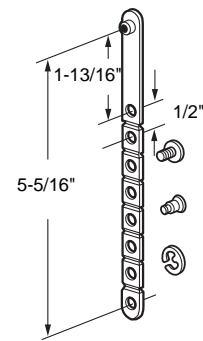
### Universal "Break-Off" Link

**Contents:** 1 link with attaching hardware.

**Description:** Break-off link is designed to be used with most jalousie operators to provide many selections for linkage hole patterns; **cadmium plated steel**; adjustment holes at 1/2" spacing.

You may wish to stock these related parts: **H-3546, H-3547.**

**H-3552**

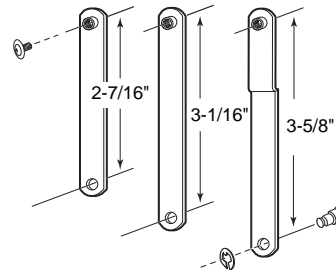


## H-3925

### Universal Jalousie Link Assortment

**Contents:** (1) 2-7/16" link; (1) 3-1/16" link; (1) 3-5/8" link; 1 link stud screw; 1 grooved pin with "E" clip.

**Description:** **Stamped steel** links with threaded pivot studs; **steel** grooved pin with "E" clip for jalousie window linkage.



**H-3925**

## H-3619

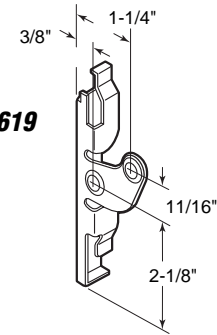
### Louver or Jalousie Glass Clip

**Contents:** 1 left hand clip; 1 right hand clip.

**Description:** **Stamped aluminum** construction; fits 4" glass; fits on *International* windows.

You may wish to stock these related parts: **H-3617, H-3618.**

**H-3619**



## H-3622

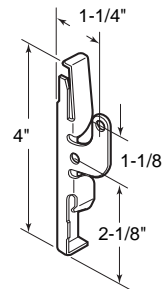
### Louver or Jalousie Glass Clip

**Contents:** 1 left hand clip; 1 right hand clip.

**Description:** **Stamped aluminum** construction; fits 4" glass.

You may wish to stock these related parts: **H-3620, H-3621.**

**H-3622**



## H-3623

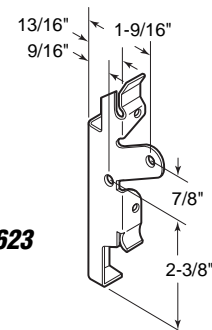
### Louver or Jalousie Clip

**Contents:** 1 left hand clip; 1 right hand clip.

**Description:** **Stamped aluminum** construction; fits 3/4" thick wood slats.

You may wish to stock these related parts: **H-3620, H-3621.**

**H-3623**



## H-3852 (For 4" glass)

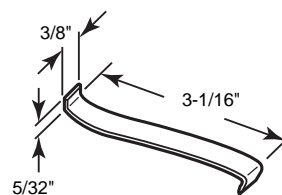
### Jalousie Window Security Clip

**Contents:** 20 clips.

**Description:** **Plated spring steel** clips; slip under louver glass clip to secure glass in position; deters easy removal of glass panels; no tools required.

**Note:** See **S-4072** in security section for 4-1/2" glass clip.

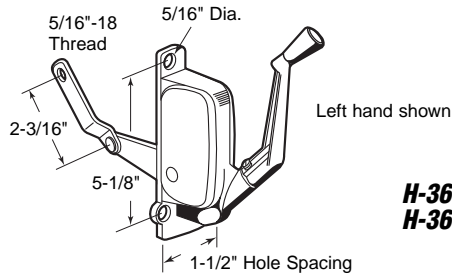
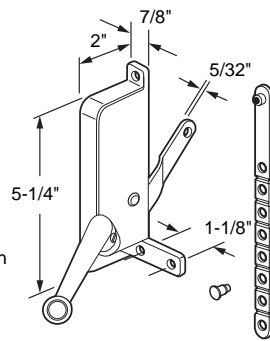
**H-3852**



Call for  
Availability

**H-3554**  
**H-3555**

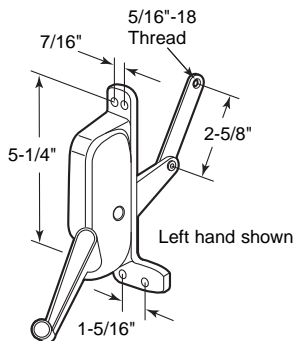
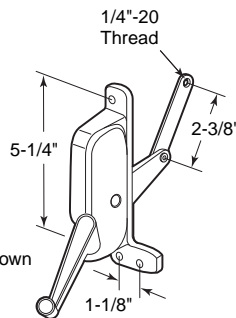
Left hand shown



**H-3665**  
**H-3666**

**H-3667**  
**H-3668**

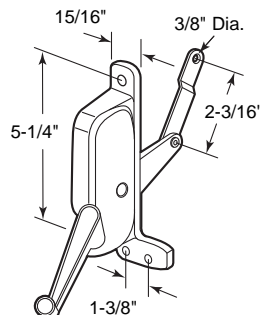
Left hand shown



**H-3669**  
**H-3670**

**H-3671**  
**H-3672**

Left hand shown



**H-3554** (Left hand)  
**H-3555** (Right hand)

## Universal Awning Operator (Aluminum)

**Contents:** 1 operator; 1 universal link; 1 set of installation screws.

**Description:** Diecast awning window operator with multi-hole link is designed to replace many popular styles; with crank handle.

You may wish to stock these related parts: **H-3665 thru H-3678.**

**H-3665** (Left hand)  
**H-3666** (Right hand)

## "Miami" Awning Operator (Aluminum)

**Contents:** 1 operator with link and link screw.

**Description:** Diecast awning window operator for *Miami* windows; case hardened gears; baked-on enamel finish; with crank handle.

You may wish to stock these related parts: **L-5578 thru L-5581.**

**H-3667** (Left hand)  
**H-3668** (Right hand)

## "Air Control-Keller" Awning Operator (Aluminum)

**Contents:** 1 operator with link and link screw.

**Description:** Diecast awning window operator for *Air Control-Keller* windows; case hardened gears; baked-on enamel finish; with crank handle.

You may wish to stock these related parts: **L-5578 thru L-5581.**

**H-3669** (Left hand)  
**H-3670** (Right hand)

## "Pan-American" Awning Operator (Aluminum)

**Contents:** 1 operator with link and link screw.

**Description:** Diecast awning window operator for *Pan-American* windows; case hardened gears; baked-on enamel finish; with crank handle.

You may wish to stock these related parts: **L-5578 thru L-5581.**

**H-3671** (Left hand)  
**H-3672** (Right hand)

## "Stanley-C & E" Awning Operator (Aluminum)

**Contents:** 1 operator with link.

**Description:** Diecast awning window operator for *Stanley-C & E* windows; case hardened gears; baked-on enamel finish; with crank handle.

You may wish to stock these related parts: **L-5578 thru L-5581.**

# Window Hardware

**H-3673** (Left hand)

**H-3674** (Right hand)

## "Stanley" Awning Operator (Aluminum)

**Contents:** 1 operator with link.

**Description:** Diecast awning window operator for *Stanley* windows; case hardened gears; baked-on enamel finish; with crank handle.

You may wish to stock these related parts: **L-5578 thru L-5581**.

**H-3675** (Left hand)

**H-3676** (Right hand)

## "A.B.C." Awning Operator (Aluminum)

**Contents:** 1 operator with link.

**Description:** Diecast awning window operator for *A.B.C.* windows; case hardened gears; baked-on enamel finish; with crank handle.

You may wish to stock these related parts: **L-5578 thru L-5581**.

**H-3677** (Left hand)

**H-3678** (Right hand)

## "Tucker" Awning Operator (Aluminum)

**Contents:** 1 operator with link.

**Description:** Diecast awning window operator for *Tucker* windows; case hardened gears; baked-on enamel finish; with crank handle.

You may wish to stock these related parts: **L-5578 thru L-5581**.

**H-3693** (Left hand)

**H-3694** (Right hand)

## "Look-Rusco" Awning Operator (Aluminum)

**Contents:** 1 operator with link and link screw.

**Description:** Diecast awning window operator for *Look-Rusco* windows; case hardened gears; baked-on enamel finish; with crank handle.

You may wish to stock these related parts: **L-5578 thru L-5581**.

**H-3695** (Left hand)

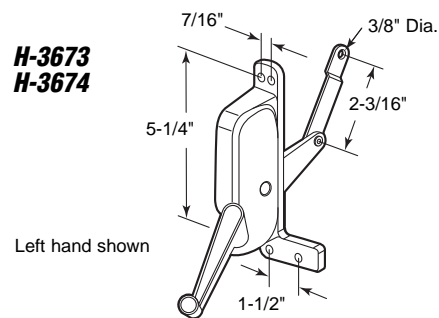
**H-3696** (Right hand)

## "Nu-Aire" Awning Operator (Aluminum)

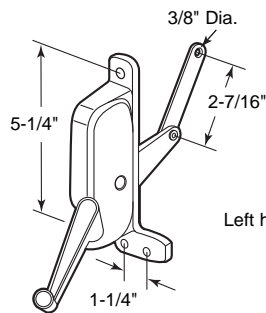
**Contents:** 1 operator with link.

**Description:** Diecast awning window operator for *Nu-Aire* windows; case hardened gears; baked-on enamel finish; with crank handle.

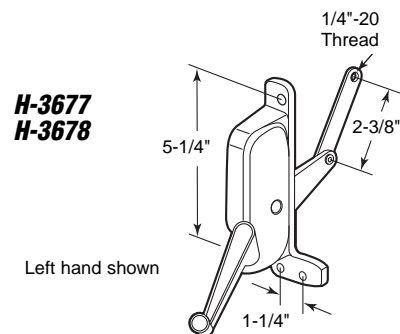
You may wish to stock these related parts: **L-5578 thru L-5581**.



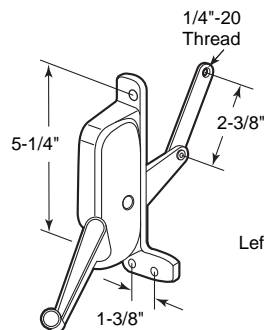
Left hand shown



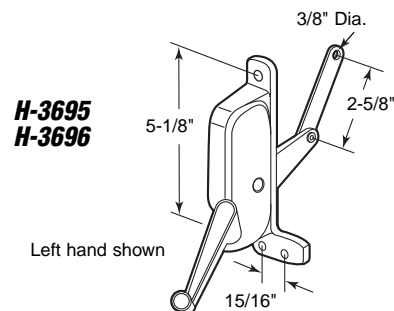
Left hand shown



Left hand shown



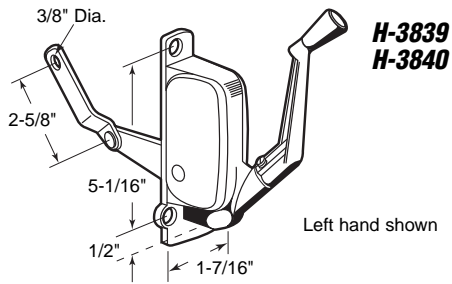
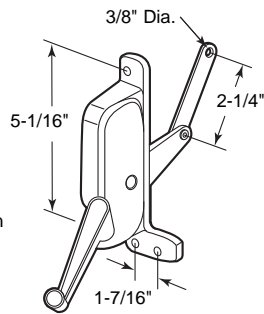
Left hand shown



Left hand shown

**H-3799**  
**H-3800**

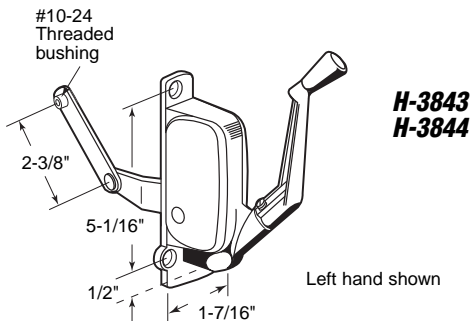
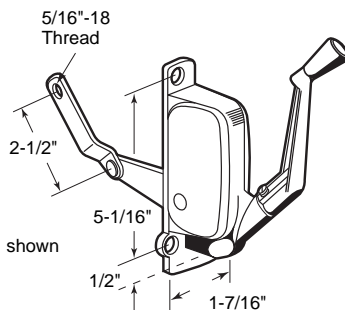
Left hand shown



Left hand shown

**H-3841**  
**H-3842**

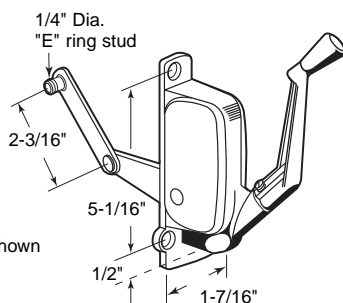
Left hand shown



Left hand shown

**H-3845**  
**H-3846**

Left hand shown



**H-3799** (Left hand)  
**H-3800** (Right hand)

**"Crown" Awning Operator** (Aluminum)

**Contents:** 1 operator with link.

**Description:** Diecast awning window operator for *Crown* windows; case hardened gears; baked-on enamel finish; with crank handle.

You may wish to stock these related parts: **L-5578 thru L-5581.**

**H-3839** (Left hand)  
**H-3840** (Right hand)

**"Anderson" Awning Operator** (Aluminum)

**Contents:** 1 operator with link.

**Description:** Diecast awning window operator for *Anderson* windows; case hardened gears; baked-on enamel finish; with crank handle.

You may wish to stock these related parts: **L-5578 thru L-5581.**

**H-3841** (Left hand)  
**H-3842** (Right hand)

**"Harcar" Awning Operator** (Aluminum)

**Contents:** 1 operator with link and link screw.

**Description:** Diecast awning window operator for *Harcar* windows; case hardened gears; baked-on enamel finish; with crank handle.

You may wish to stock these related parts: **L-5578 thru L-5581.**

**H-3843** (Left hand)  
**H-3844** (Right hand)

**"Old Tucker" Awning Operator** (Aluminum)

**Contents:** 1 operator with link.

**Description:** Diecast awning window operator for *Old Tucker* windows; case hardened gears; baked-on enamel finish; with crank handle.

You may wish to stock these related parts: **L-5578 thru L-5581.**

**H-3845** (Left hand)  
**H-3846** (Right hand)

**"A.B.C." Awning Operator** (Aluminum)

**Contents:** 1 operator with link.

**Description:** Diecast awning window operator for *A.B.C.* windows; case hardened gears; baked-on enamel finish; with crank handle.

You may wish to stock these related parts: **L-5578 thru L-5581.**

**H-3847** (Left hand)

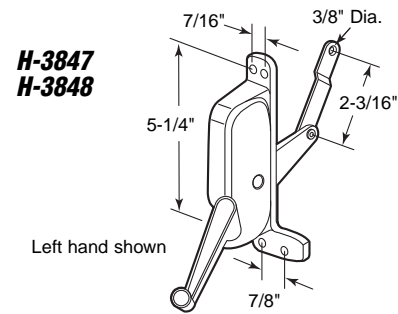
**H-3848** (Right hand)

## "Ware" Awning Operator (Aluminum)

**Contents:** 1 operator with link and link screw.

**Description:** Diecast awning window operator for *Ware* windows; case hardened gears; baked-on enamel finish; with crank handle.

You may wish to stock these related parts: **L-5578 thru L-5581**.



**H-3861** (Left hand)

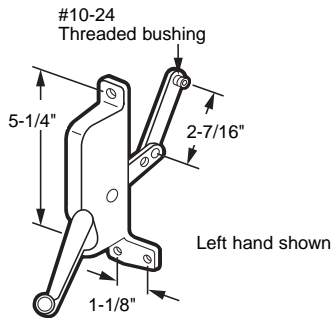
**H-3862** (Right hand)

## "T.M." Awning Operator (Aluminum)

**Contents:** 1 operator with link.

**Description:** Diecast awning window operator for *T.M.* windows; case hardened gears; baked-on enamel finish; with crank handle.

You may wish to stock these related parts: **L-5578 thru L-5581**.



**H-3899** (Left hand)

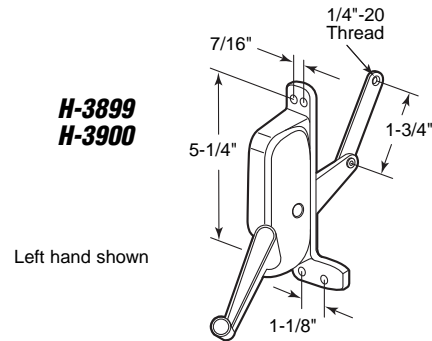
**H-3900** (Right hand)

## "Air Control" Awning Operator (Aluminum)

**Contents:** 1 operator with link and link screw.

**Description:** Diecast awning window operator for *Air Control* windows; case hardened gears; baked-on enamel finish; with crank handle.

You may wish to stock these related parts: **L-5578 thru L-5581**.



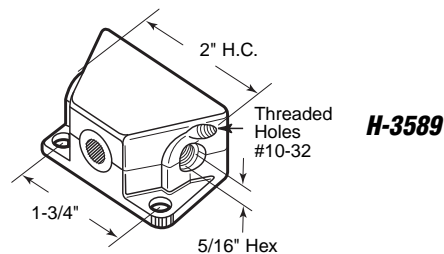
**H-3589**

## "Stanley" Awning Operator

**Contents:** 1 operator.

**Description:** Zinc diecast operator used at the center position on awning windows; 5/16" hex drive; fits on *Stanley*; threaded holes are #10-32.

You may wish to stock these related parts: **H-3590, H-3591, H-3632**.



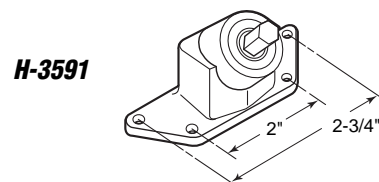
**H-3591**

## Awning Operator Angle Adaptor

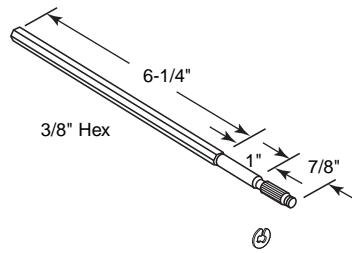
**Contents:** 1 operator.

**Description:** Zinc diecast housing; used with H-3589 operator to adapt angle of crank handle; 3/8" hex drive at rear of housing, accepts H-3632 drive rod.

You may wish to stock these related parts: **H-3589, H-3590, H-3632**.



**H-3632**



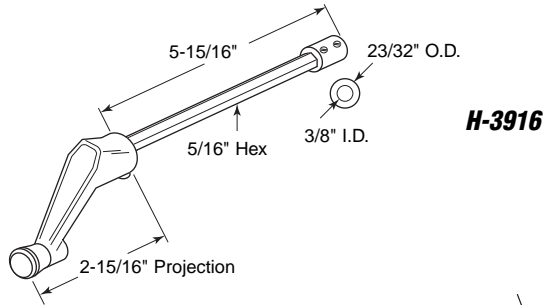
**H-3632**

**Awning Operator Hex Drive Bar**

**Contents:** 1 drive bar; 1 "E" ring.

**Description:** Machine steel; 8-1/8" long; 3/8" hex; used with H-3589 and H-3591 operators.

You may wish to stock these related parts: H-3589, H-3590, H-3591.



**H-3916**

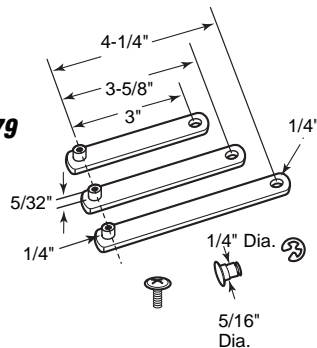
**Awning Crank & Extension**

**Contents:** 1 crank; 1 extension; 1 socket.

**Description:** Zinc diecast crank and socket; extruded aluminum extension; allows for extended operation of most awning operators with a 3/8" spindle.

*Call for Availability*

**H-3679**



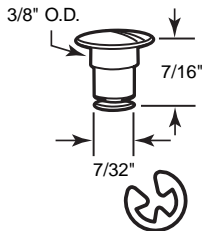
**H-3679**

**Universal Awning Operator Link Assortment**

**Contents:** (1) 3" link; (1) 3-5/8" link; (1) 4-1/4" link; 1 link stud screw; 1 grooved pin with "E" clip.

**Description:** Stamped steel links with threaded pivot studs; steel grooved pin with "E" clip; for awning window linkage.

You may wish to stock these related parts: H-3665 thru H-3678.



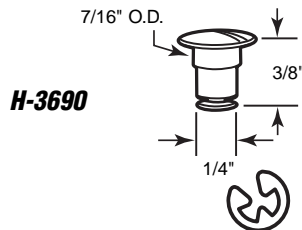
**H-3689**

**Jalousie & Awning Link Grooved Pin & "E" Ring**

**Contents:** 4 grooved pins; 4 "E" clips.

**Description:** Aluminum grooved pin with "E" clip is used to connect link end of operator to jalousie or awning window.

You may wish to stock these related parts: H-3690 thru H-3696.



**H-3690**

**Jalousie & Awning Link Grooved Pin & "E" Ring**

**Contents:** 4 grooved pins; 4 "E" clips.

**Description:** Aluminum grooved pin with "E" clip is used to connect link end of operator to jalousie or awning window.

You may wish to stock these related parts: H-3690 thru H-3696.



**H-3927**  
**H-3928**

**H-3927** (3/16")

**H-3928** (1/4")

**Jalousie & Awning Link "E" Clip**

**Contents:** 4 "E" clips.

**Description:** Steel "E" clip as used on H-3689 & H-3690.

## H-3691

### Awning Link Repair Bolt & Bushing

**Contents:** 4 bolts; 4 bushings.

**Description:** Zinc-plated steel bolt and nylon bushing; used to repair connection of link end of operator to awning window.

You may wish to stock these related parts: **H-3689, H-3690, H-3692, H-3693, H-3694.**

## H-3692

### Awning Link Repair Bolt & Bushing

**Contents:** 4 bolts; 4 bushings.

**Description:** Diecast bolt and nylon bushing; used to repair connection of link end of operator to awning window.

You may wish to stock these related parts: **H-3689, H-3690, H-3691.**

**H-3577** (4-1/2 Pound)

**H-3578** (6 Pound)

**H-3579** (8 Pound)

**H-3580** (10 Pound)

**H-3630** (12 Pound)

**H-3834** (14 Pound)\*

**H-3835** (16 Pound)\*

### Wood Window Sash Balance

**Contents:** 1 sash balance with attaching hardware.

**Description:** All steel construction; coil spring retraction; aircraft cable lifters; fits *Duplex, Superior, Preset* and *Fabco*.

\*Call for availability on this item.

**H-3867** (#1)

**H-3868** (#2)

**H-3869** (#4)

**H-3870** (#5)

Call for  
Availability

### Double Hung Adjustable Sash Balance

**Contents:** 1 adjustable sash balance with attaching hardware.

**Description:** All steel construction; coil spring retraction; aircraft cable lifters.

**H-3871** (4-1/2 Pound)

**H-3872** (6 Pound)

**H-3873** (8 Pound)

**H-3874** (10 Pound)

**H-3875** (12 Pound)

**H-3876** (14 Pound)

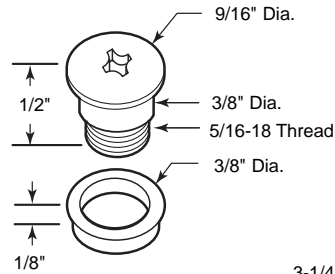
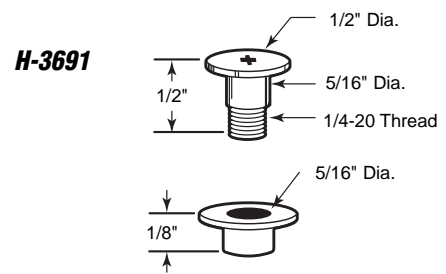
**H-3877** (16 Pound)

Call for  
Availability

### Side Mount Sash Balance

**Contents:** 2 sash balances with attaching hardware.

**Description:** All steel construction; coil spring retraction; steel tape lifters.



**H-3692**

