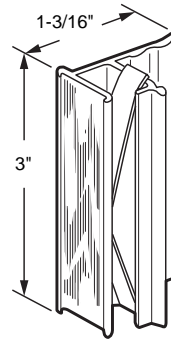
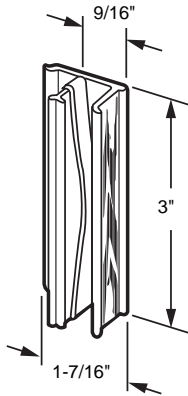


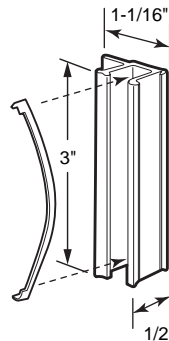
F-2541
F-2542



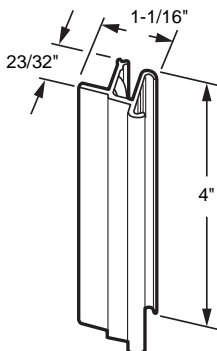
F-2521
F-2522



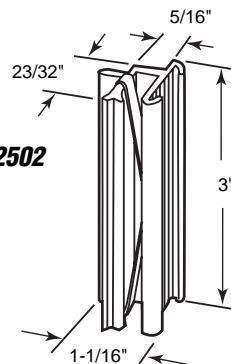
F-2647



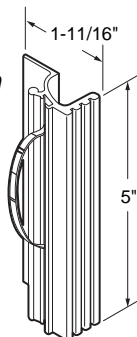
F-2525



F-2502



F-2519



F-2541* (Aluminum finish)
F-2542 (Bronze finish)

Pull and Latch

Contents: 1 pull with spring.

Description: Extruded aluminum latch and pull with wood grain feature strip; self-latching spring-loaded action; fits on *Keller Industries*.

* Call for availability on this item.

You may also wish to stock these related parts: **G-3060**.

F-2521 (Aluminum finish)
F-2522 (Black finish)

Pull and Latch

Contents: 1 extruded aluminum pull with spring.

Description: Adjustable, self-latching handle; position can be raised or lowered for convenience; fits on *International* on "Roller King-Queen" windows.

You may also wish to stock these related parts: **G-3000, G-3077**.

F-2647 (Black finish)

Pull and Latch

Contents: 1 extruded aluminum pull with spring.

Description: Adjustable, self-latching handle; position can be raised or lowered for convenience; fits on *Guaranteed Products*.

You may also wish to stock these related parts: **G-3083, G-3138, G-3142, G-3144, G-3145**.

F-2525 (Black)

Pull and Latch

Contents: 1 plastic extruded pull with spring.

Description: Adjustable, self-latching handle; position can be raised or lowered for convenience; fits on *Rusco-HiLite*.

You may also wish to stock these related parts: **F-2502, G-3003, G-3076**.

F-2502 (Black)

Pull and Latch

Contents: 1 plastic extruded pull with spring.

Description: Adjustable, self-latching handle; position can be raised or lowered for convenience; fits on *Rusco-HiLite*.

You may also wish to stock these related parts: **F-2525, G-3003, G-3076**.

F-2519 (Aluminum finish)

Pull and Latch

Contents: 1 extruded aluminum pull with spring.

Description: Adjustable, self-latching handle with wood grain feature strip; position can be raised or lowered for convenience; fits on *Lupton*.

You may also wish to stock these related parts: **G-3060**.

Sliding Window Latches

F-2548 (Black)

Pull and Latch

Contents: 1 latch with spring.

Description: Plastic handle; spring-loaded automatic latching feature; fits on *Bee Cee*.

You may also wish to stock these related parts: **G-3047**, **G-3056**, **G-3072**.

F-2649 (Black finish)

F-2650 (White finish)

Pull and Lock

Contents: 1 pull; 1 lock assembly with spring.

Description: Adjustable; self latching handle; diecast assembly utilizing a secondary night lock for additional security; fits on *Superior*.

You may also wish to stock these related parts: **G-3077**, **G-3156**.

F-2500 (Aluminum finish)

F-2643 (Black finish)

Pull and Latch

Contents: 1 extruded aluminum pull with spring latch assembly.

Description: Adjustable, self-latching handle; position can be raised or lowered for convenience; fits on *Hi-Lite* convertible windows.

Note: Repair part for this item is: **F-2501**.

You may wish to stock these related parts: **G-3002**, **G-3075**, **G-3076**.

F-2543 (Aluminum finish)

F-2544 (Bronze finish)

Pull and Latch

Contents: 1 latch assembly; 1 set of installation screws.

Description: Aluminum extruded handle; wood grain feature strip; black plastic mounting bracket; fits on *Tomrays Tyco 66* single glazed windows.

You may wish to stock these related parts: **G-3038**.

F-2545 (Aluminum finish)

Pull and Latch

Contents: 1 latch assembly; 1 set of installation screws.

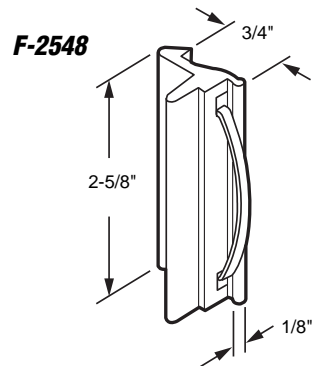
Description: Aluminum extruded handle; wood grain feature strip; black plastic mounting bracket; fits on *Tomrays Tyco 77* dual-glazed windows.

F-2518 (Black)

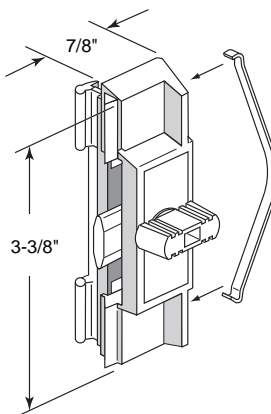
Pull and Latch

Contents: 1 plastic pull assembly with spring; 1 set of installation screws.

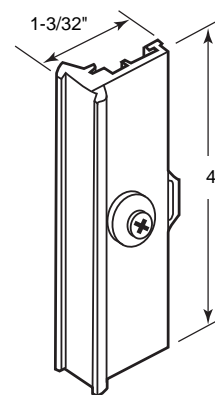
Description: Automatic latching feature; surface mount; used by several window manufacturers.



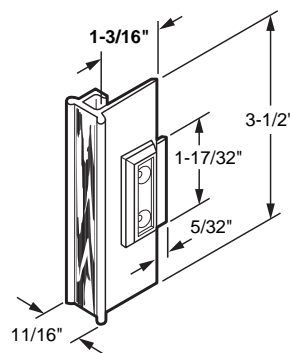
F-2548
F-2649
F-2650



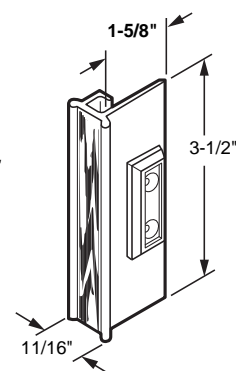
F-2649
F-2650



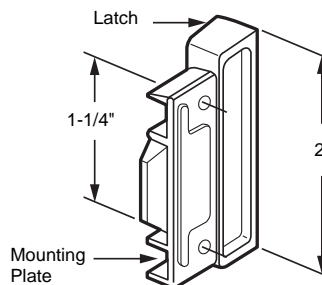
F-2500
F-2643



F-2543
F-2544

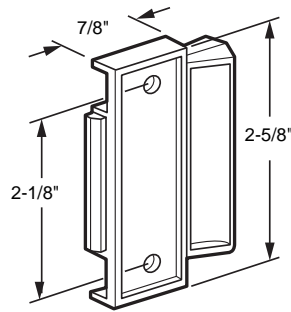


F-2545



F-2518

F-2505

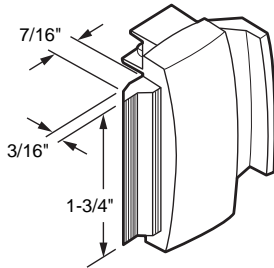


F-2505 (White)

Pull and Latch

Contents: 1 plastic pull with 2 springs, 1 set of installation screws.

Description: Automatic latching feature; surface mount; used by several window manufacturers.



F-2529
F-2530

F-2529 (Gray finish)

F-2530 (Bronze finish)

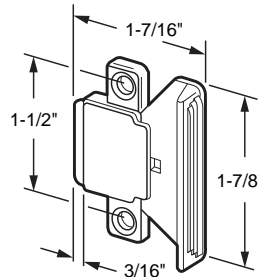
Pull and Latch

Contents: 1 latch assembly.

Description: Diecast, spring-loaded latch designed for *Crossly* windows.

You may wish to stock these related parts: **G-3049**.

F-2507

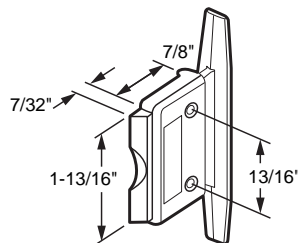


F-2507 (Brite zinc)

Pull and Latch

Contents: 1 diecast latch assembly with spring; 1 set of installation screws.

Description: Automatic latching feature; surface mount; for left or right hand windows; used by several window manufacturers.



F-2506

F-2506 (Black)

Pull and Latch

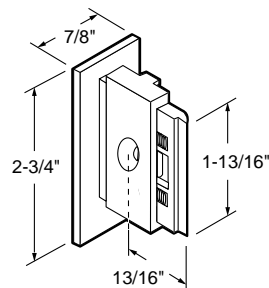
Contents: 1 latch assembly; 1 set of installation screws.

Description: Plastic spring-loaded latch; fits on *Rolleze* windows.

Note: Part no. *F-2553* replaces this part.

You may wish to stock these related parts: **G-3065**.

F-2553



F-2553 (Black)

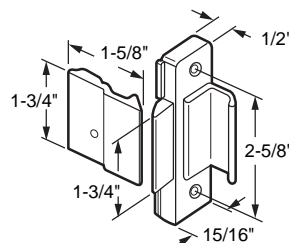
Pull and Latch

Contents: 1 pull assembly; 1 set of installation screws.

Description: Plastic construction; spring-loaded latch; fits on *Rolleze* windows.

Note: This latch replaces *F-2506*.

You may wish to stock these related parts: **G-3065, G-3105**.



F-2517
F-2661

F-2517 (Aluminum finish)

F-2661 (Bronze finish)

Pull and Latch

Contents: 1 latch assembly; 1 strike; 1 set of installation screws.

Description: Combination of diecast and extruded aluminum parts to form self-latching, spring-loaded latch for *International* windows.

You may wish to stock these related parts: **G-3077, G-3102, G-3154, G-3156**.

Call for
Availability

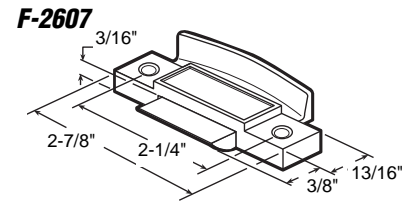
Sliding Window Latches

F-2607 (Black finish)

Pull and Latch

Contents: 1 latch assembly; 1 set of installation screws.

Description: Heavy-duty diecast construction; spring-loaded latch for smooth non-binding operation. This handle will fit a variety of retro-fit window applications.



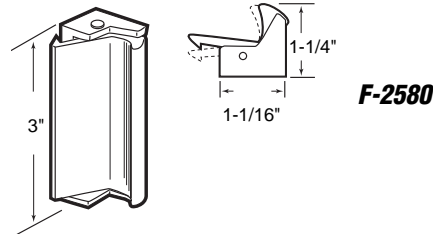
F-2580 (Black)

Pull and Latch

Contents: 1 pull assembly; 1 set of installation screws.

Description: Plastic pull and latch; spring loaded; self latching; fits on *Premiere Series 510 Imperial* windows.

You may wish to stock these related parts: **G-3112**.



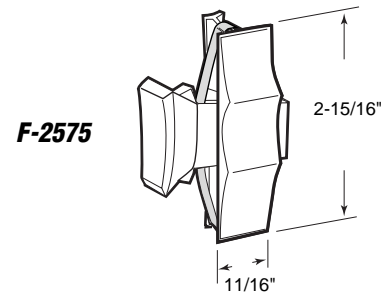
F-2575 (Black)

Pull and Latch

Contents: 1 latch assembly; 1 set of installation screws.

Description: Vinyl construction; spring activated latch handle; fits on *Marshall Windows*.

Call for Availability



F-2577 (Aluminum finish)

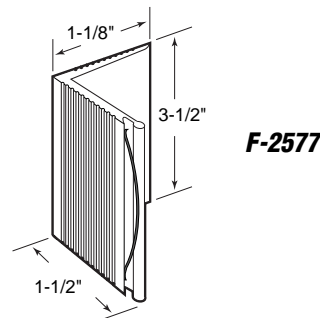
Pull and Latch

Contents: 1 latch with spring.

Description: Extruded aluminum pull; self latching; spring loaded; fits on *Premiere integral muntin* windows.

You may wish to stock these related parts: **G-3015**, **G-3060**, **G-3088**.

Call for Availability



F-2578 (Aluminum finish)

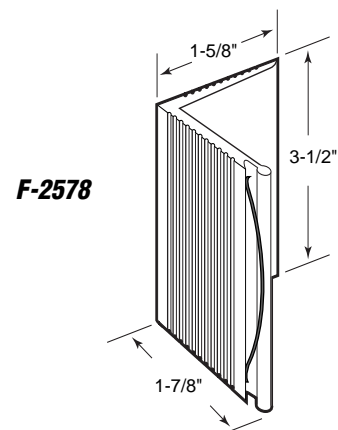
Pull and Latch

Contents: 1 latch with spring.

Description: Extruded aluminum pull; self latching; spring loaded; fits on *Premiere dual glazed* windows.

You may wish to stock these related parts: **G-3098**.

Call for Availability



F-2503 (Aluminum finish)

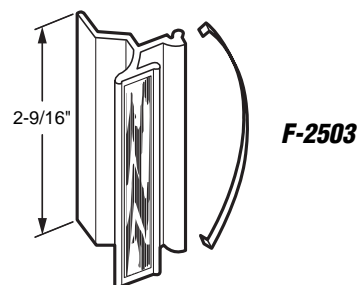
Pull and Latch

Contents: 1 latch with spring.

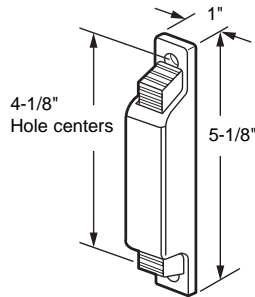
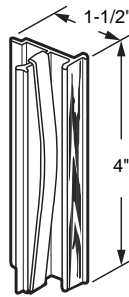
Description: Extruded aluminum pull with wood grain feature strip; self-latching; adjustable; fits on *Daryl Industries*.

You may wish to stock these related parts: **G-3012**.

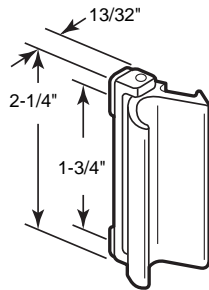
Call for Availability



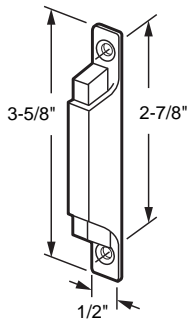
F-2523
F-2524



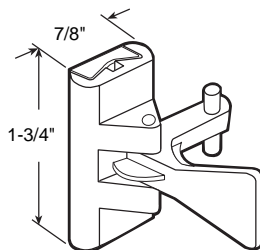
F-2528



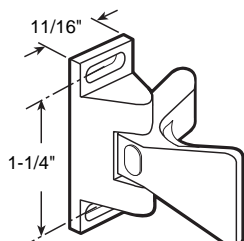
F-2572



F-2504



F-2604



F-2603

F-2523 (Aluminum finish)
F-2524 (Bronze finish)

Pull and Latch

Contents: 1 pull and spring.

Description: Extruded aluminum pull; self latching; adjustable; fits on *International "Imperial"* windows.

You may wish to stock these related parts: **G-3001**, **G-3138**.

Call for
Availability

F-2528 (Gray)

Pull and Latch

Contents: 1 pull assembly; 1 set of installation screws.

Description: Plastic construction; spring loaded latch; fits on *Cupples* windows.

You may wish to stock these related parts: **G-3034**.

F-2572 (Aluminum finish)

Pull and Latch

Contents: 1 latch assembly.

Description: Diecast housing with spring-loaded, extruded aluminum latch; fits on *Keller Industries*.

F-2504 (White)

Pull and Latch

Contents: 1 plastic pull with steel latch assembly; 1 set of installation screws.

Description: Automatic latching feature; surface mount; fits on *Air Control (Keller)*.

You may wish to stock these related parts: **G-3018**.

Call for
Availability

F-2604 (Beige)

Latch

Contents: 1 latch and keeper; 2 installation screws.

Description: Plastic latch assembly for aluminum framed windows.

Call for
Availability

F-2603 (Beige)

Latch

Contents: 1 latch; 2 installation screws.

Description: Plastic latch assembly for aluminum framed windows.

Sliding Window Latches

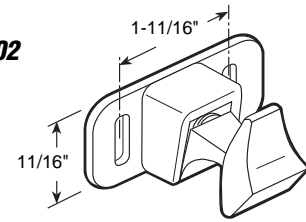
F-2602 (White)

Latch

Contents: 1 latch; 2 installation screws.

Description: Plastic latch assembly; spring-loaded; for horizontal sliding windows.

F-2602



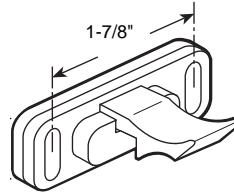
F-2606 (White)

Latch

Contents: 1 latch; 2 installation screws.

Description: Plastic latch assembly; spring loaded; for sliding windows.

F-2606



F-2513 (Left)

F-2514 (Right)

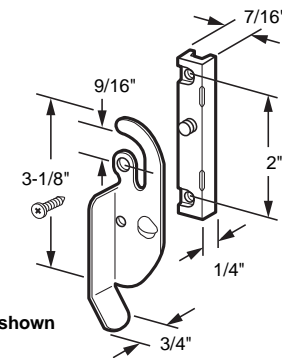
Latch (Black finish)

Contents: 1 window latch; 1 lock guide; 1 - #10 x 5/8" Phillips pan head sheet metal screw.

Description: Stamped steel latch with plastic guide bracket; for sliding windows manufactured by *Likit*.

You may wish to stock these related parts: **G-3099**, **G-3113**.

**F-2513
F-2514**



Left hand shown

F-2547 (Black)

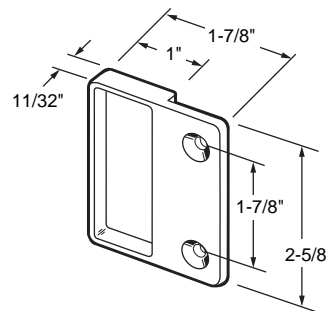
Pull

Contents: 1 pull; 1 set of installation screws.

Description: Plastic construction; universal application; can be used as a secondary pull or a child's pull.

You may wish to stock these related parts: **S-4036**, **S-4076**.

F-2547



F-2510 (Left)

F-2511 (Right)

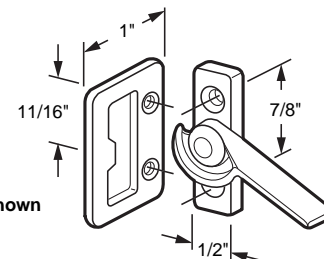
F-2613 (Left & Right)

Latch (Bright Zinc)

Contents: 2 latches; 2 keepers with installation screws.

Description: Diecast latch and keeper used on both residential and RV sliding windows.

**F-2510
F-2511
F-2613**



Left hand shown

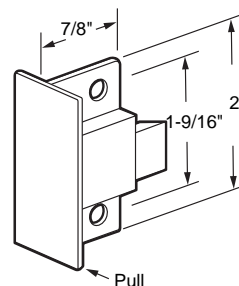
F-2611 (Black finish)

Pull and Latch

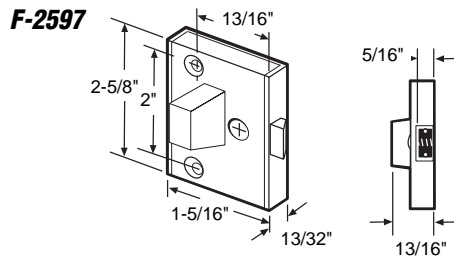
Contents: 1 latch assembly; 1 set of installation screws.

Description: Diecast spring loaded latch; fits on *Window Master Series 216* windows.

F-2611



Pull



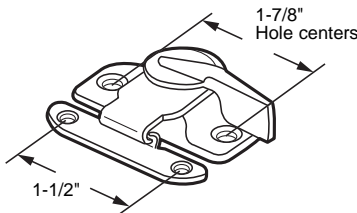
F-2597

F-2597 (Black oxide finish)

Lock

Contents: 1 lock; 1 set of installation screws.

Description: Heavy-duty **steel** design. Originally fits on *Guaranteed Products*. **Spring-loaded latch** projects 1/4" from edge of housing.



F-2526
F-2527
F-2566
F-2618

F-2526 (Chrome finish)

F-2527 (Brass finish)

F-2566 (Antique brass finish)

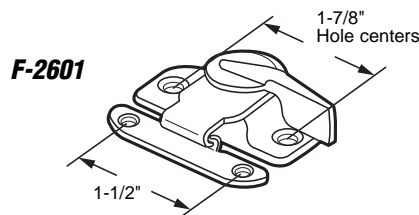
F-2618 (White finish)

Sash Lock

Contents: 1 sash lock; 1 keeper; 1 set of installation screws.

Description: Cam-action sash lock; universal design; **stamped steel** construction.

You may wish to stock these related parts: **F-2537**, **F-2617**



F-2601

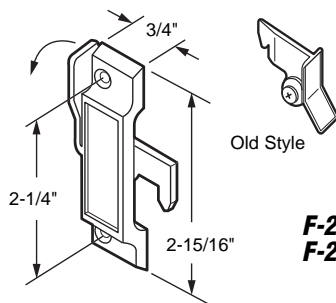
F-2601 (Polished brass)

Sash Lock

Contents: 1 sash lock; 1 keeper; 1 set of installation screws.

Description: **Heavy duty brass** construction; cam-style latch action; used on single or double hung windows.

You may wish to stock these related parts: **F-2537**, **F-2617**.



F-2512
F-2594

F-2512 (Black finish)

F-2594 (White finish)

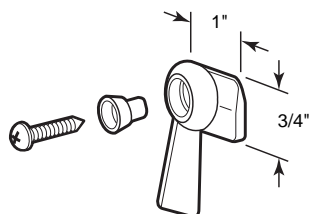
Sash Lock

Contents: 1 lock; 2 installation screws.

Description: **Diecast construction**. This lock does not use a keeper, the latch engages the fixed rail to lock window; fits on *Guaranteed Products* and others.

You may wish to stock these related parts: **F-2532**, **G-3004**.

F-2570
F-2571
F-2612
F-2585
F-2586



Left hand shown

F-2570 (Left hand - **diecast** chrome finish)

F-2571 (Right hand - **diecast** chrome finish)

F-2612 (1 right, 1 left - **diecast** chrome finish)

F-2585 (Left hand - black **plastic**)

F-2586 (Right hand - black **plastic**)

Sash Lock

Contents: 2 locks; 2 bushings; 2 installation screws.

Description: Sash lock for both horizontal and vertical sliding windows; for camper shell and RV type windows.

NOTE: **Diecast black** available as **R-7150** & **R-7151** in **RV hardware** section.

Sliding Window Latches

F-2501

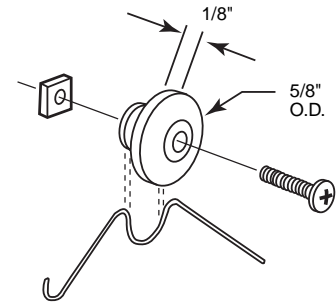
Spring Latch Assembly

Contents: 2 nylon latch release buttons; 2 wire springs; 2 - #6-32 x 1/2" Phillips pan head machine screws with nuts.

Description: Repair part for F-2500.

You may wish to stock these related parts: **G-3002**.

F-2501

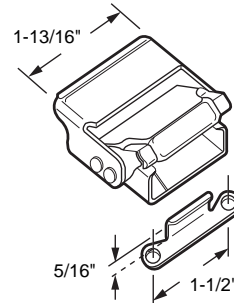


F-2515 (Bronze finish)

Lock

Contents: 1 lock; 1 keeper; 1 set of installation screws.

Description: Steel housing and strike; bronze powder coat paint; spring-loaded retraction during latching for snug fit; fits on *Hehr* and others.



F-2515

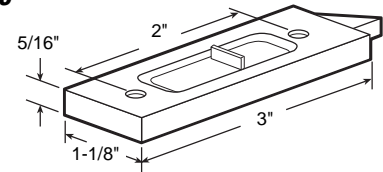
F-2598 (White)

Tilt Latch

Contents: 1 left hand latch; 1 right hand latch; 1 set of installation screws.

Description: Spring-loaded vinyl tilt latch; used on, single or double-hung, aluminum or vinyl windows; for use on sash panels designed to tilt in and down from the top.

F-2598

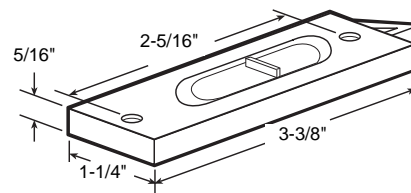


F-2599 (White)

Tilt Latch

Contents: 1 left hand latch; 1 right hand latch 1 set of installation screws.

Description: Spring-loaded vinyl tilt latch; used on, single or double-hung, aluminum or vinyl windows; for use on sash panels designed to tilt in and down from the top.



F-2599

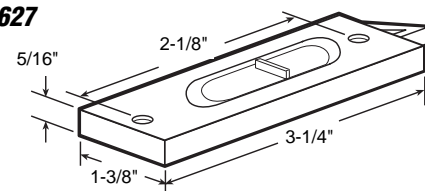
F-2627 (White)

Tilt Latch

Contents: 1 left hand latch; 1 right hand latch; 1 set of installation screws.

Description: Spring-loaded vinyl tilt latch; used on, single or double-hung, aluminum or vinyl windows; for use on sash panels designed to tilt in and down from the top.

F-2627

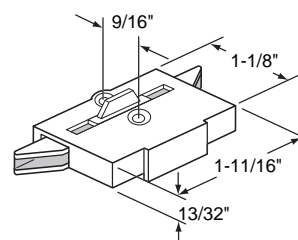


F-2645 (Black)

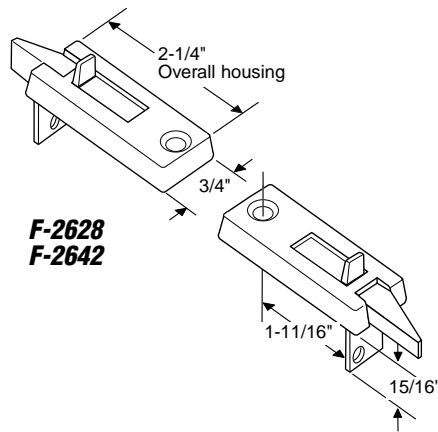
Tilt Latch

Contents: 1 latch with screws.

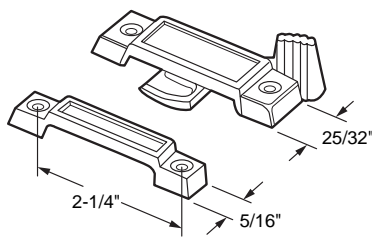
Description: Spring loaded vinyl tilt latch; may be used as left hand or right hand; used on, single or double hung, aluminum or vinyl windows; fits on *Acorn Windows*.



F-2645

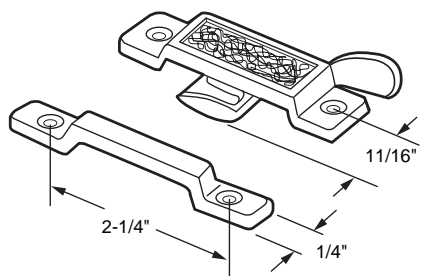
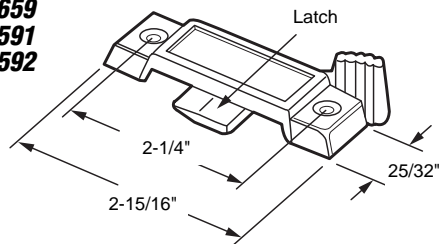


F-2628
F-2642



F-2531
F-2532
F-2533
F-2583
F-2648

F-2589
F-2590
F-2596
F-2659
F-2591
F-2592



F-2651

F-2628 (Black)
F-2642 (White)

Tilt Latch

Contents: 1 left hand; 1 right hand; 1 set of installation screws.

Description: Spring loaded vinyl tilt latch; used on, single or double hung, aluminum windows; unique wrap-around design attaches to top rail and stile; fits on tilt-out windows by *Better Built*.

You may wish to stock these related parts: **G-3086**, **G-3121**.

F-2531 (Chrome finish)
F-2532 (Black finish)
F-2533 (White finish)
F-2583 (Black finish - keyed)
F-2648 (Brass finish)

Sash Lock

Contents: 1 lock; 1 keeper; 1 set of installation screws.

Description: Diecast construction; fits aluminum, vinyl or wood double-hung windows; cam-action lock holds window securely closed; universal design.

You may wish to stock these related parts: **F-2539**, **F-2630**, **F-2631**.

F-2589 (3/8" latch projection, black finish)
F-2590 (3/8" latch projection, white finish)
F-2596 (3/8" latch projection, bronze finish)
F-2659 (3/8" latch projection, gray finish)
F-2591 (5/8" latch projection, black finish)
F-2592 (5/8" latch projection, white finish)

Sash Lock

Contents: 1 lock; 2 installation screws.

Description: Diecast construction. This lock does not use a separate keeper, the latch engages the fixed rail to lock the window; used on vertical and horizontal sliding windows.

You may wish to stock these related parts: **F-2630**, **F-2632**.

F-2651 (White bronze)

Sash Lock

Contents: 1 lock; 1 keeper; 1 set of installation screws.

Description: Cast white bronze; heavy duty cam action lock holds window securely locked; stainless steel screws; designed for long term durability.

Sliding Window Latches

- F-2535** (Brass finish)
- F-2568** (Antique brass finish)
- F-2619** (White finish)

Sash Lock

Contents: 2 locks; 2 keepers; 2 sets of installation screws.

Description: Cam-type sash lock found on most wood double-hung windows; **stamped steel** construction.

You may wish to stock these related parts: **F-2537, F-2558, F-2560, F-2617, F-2630.**

- F-2574** (Brass finish)
- F-2653** (Antique brass finish)
- F-2620** (White finish)

Sash Lock

Contents: 1 lock; 1 keeper; 1 set of installation screws.

Description: Cam-type sash lock; spring action cam; used on many double-hung windows; **zinc diecast** construction.

You may wish to stock these related parts: **F-2558, F-2617, F-2630.**

- F-2600** (Polished brass)

Sash Lock

Contents: 1 lock; 1 keeper; 1 set of installation screws.

Description: **Heavy duty solid brass**; cam-type latch action; used on single or double hung windows.

You may wish to stock these related parts: **F-2558, F-2630.**

- F-2552** (Bronze finish)
- F-2584** (White finish)

Sash Lock

Contents: 1 lock; 1 strike; 1 set of installation screws.

Description: **Heavy-duty diecast** construction; cam style lock used on many double-hung wood windows.

You may wish to stock these related parts: **F-2617.**

- F-2593** (Black finish)

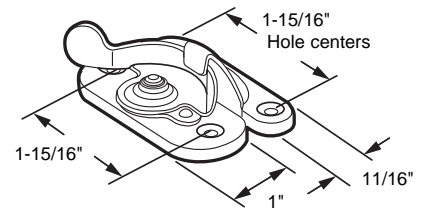
Sash Lock

Contents: 1 lock; 1 set of installation screws.

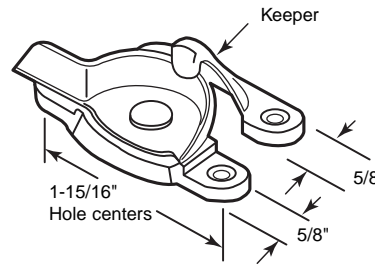
Description: **Diecast** sweep lock fits on **Croft** windows. This lock does not use a separate keeper, the latch engages the fixed rail to lock window.

You may wish to stock these related parts: **S-4000, S-4065.**

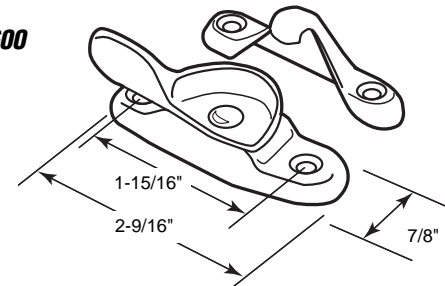
F-2535
F-2568
F-2619



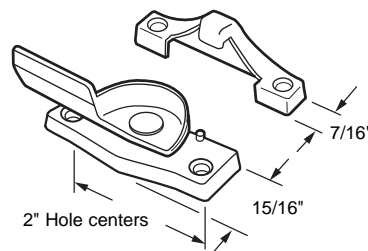
F-2574
F-2653
F-2620



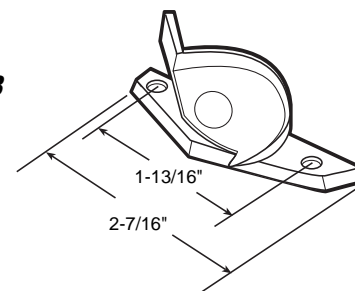
F-2600

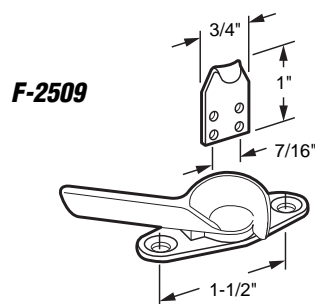
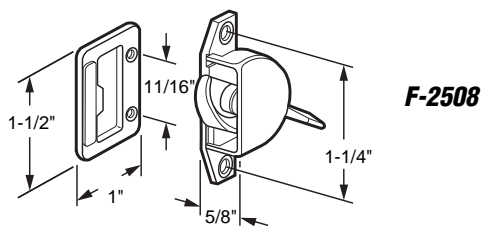
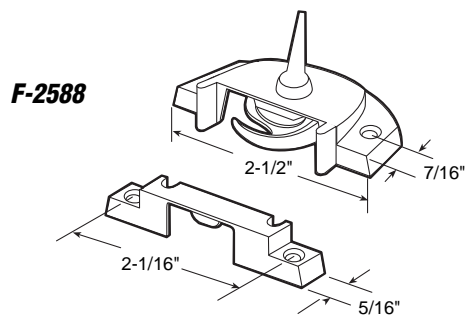
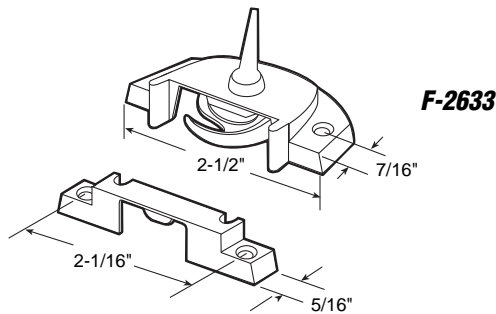
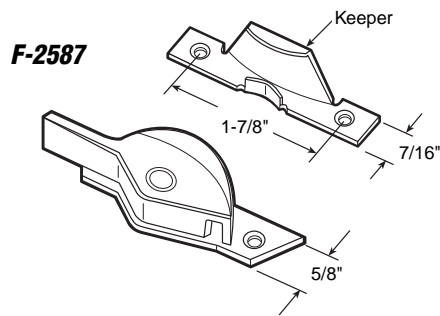


F-2552
F-2584



F-2593





F-2587 (Brass finish)

Sash Lock

Contents: 1 lock; 1 keeper; 1 set of installation screws.

Description: Heavy-duty diecast lock with stamped steel keeper; cam-type lock; used on many double hung wood windows.

You may wish to stock these related parts: **F-2558**, **F-2617**.

F-2633 (Brass finish)

Sash Lock

Contents: 1 lock; 1 keeper; 1 set of installation screws.

Description: Diecast construction; cam-type action pulls meeting rails tightly together; alignment lugs prevent shifting of rails during locking.

You may wish to stock this related part: **F-2558**.

F-2588 (White finish)

Sash Lock

Contents: 1 lock; 1 keeper; 1 set of installation screws.

Description: Diecast construction; baked enamel finish; cam-type action; used on aluminum and vinyl windows; alignment lugs prevent shifting of rails during locking.

You may wish to stock these related parts: **F-2630**.

F-2508 (Brite zinc)

Sash Lock

Contents: 1 lock, 1 keeper, 1 set of installation screws.

Description: Cam-type sash lock, heavy-duty diecast housing; concealed latch; smooth operating action; used by many window manufacturers.

F-2509 (Brite zinc)

Sash Lock

Contents: 2 locks; 2 keepers; 2 sets of installation screws.

Description: Cam-type sash lock, diecast housing, steel keeper; fits on Daryl windows and others.

You may wish to stock these related parts: **G-3102**.

Sliding Window Latches

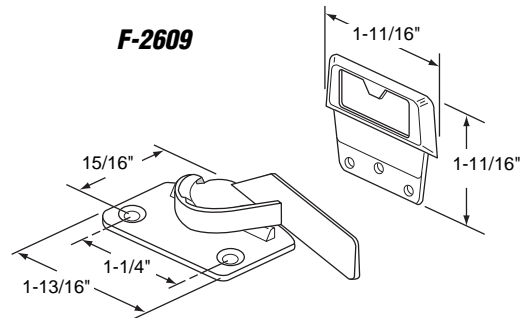
F-2609 (Brite zinc)

Sash Lock

Contents: 1 lock; 1 keeper; 1 set of installation screws.

Description: Diecast construction; fits on *Season All* on sliding windows

You may wish to stock these related parts: **S-4000, S-4065.**



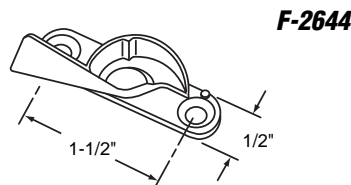
F-2644 (Brite zinc)

Sash Lock

Contents: 2 locks; 2 sets of installation screws.

Description: Diecast construction; fits on single hung windows by *Keller*.

You may wish to stock these related parts: **S-4000, S-4065.**



F-2652 (Nickel plated)

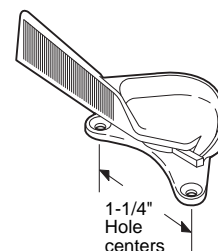
Sash Lock

Contents: 2 locks; 2 sets of installation screws.

Description: Heavy duty diecast construction; nickel plated; used on double hung wood windows.

You may wish to stock these related parts: **F-2631.**

F-2652



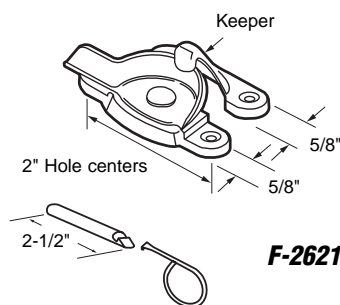
F-2621 (Brass finish)

Sash Lock with Security Pins

Contents: 1 lock; 1 keeper; 2 pins; 1 removal key and 1 set of installation screws.

Description: Diecast lock and keeper; used on wood sash windows. **Steel pins** are installed thru front sash into rear sash to offer **tamper-proof security**; easily removed with special key.

You may wish to stock these related parts: **F-2558, F-2537.**



F-2621

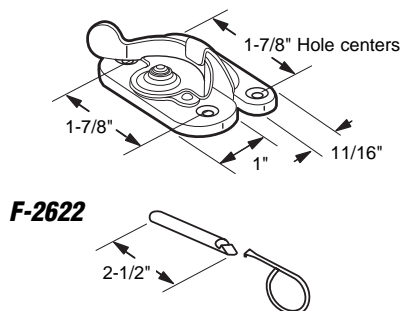
F-2622 (Brass finish)

Sash Lock with Security Pins

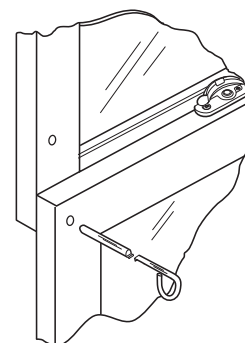
Contents: 1 lock; 1 keeper; 2 pins; 1 removal key and 1 set of installation screws.

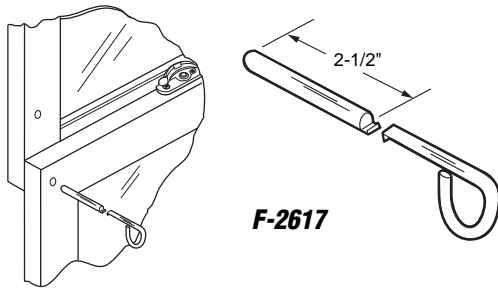
Description: Stamped steel lock and keeper; used on wood sash windows. **Steel pins** are installed thru front sash into rear sash to offer **tamper-proof security**; easily removed with special key.

You may wish to stock these related parts: **F-2558, F-2537.**



F-2622





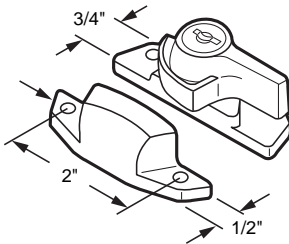
F-2617

F-2617 (Brass finish)

Security Pins

Contents: 8 pins; 4 removal keys.

Description: Steel pins are installed thru front sash into rear sash to offer **tamper-proof security**; easily removed with special key. Use 2 pins per window.



F-2534
F-2646

F-2534 (Brass finish)

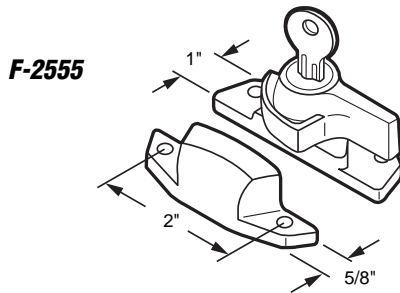
F-2646 (White finish)

Keyed Sash Lock

Contents: 1 lock; 1 keeper; 2 keys; 1 set of installation screws.

Description: Diecast construction; unlock only with key; child-proof; used on aluminum, vinyl or wood double hung windows.

You may wish to stock these related parts: **F-2558**; **F-2530**.



F-2555

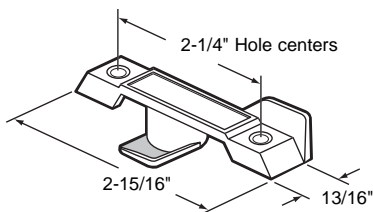
F-2555 (Chrome finish)

Keyed Sash Lock

Contents: 1 lock; 1 keeper; 2 keys; 1 set of installation screws.

Description: Diecast construction; unlock only with key; child proof; used on single or double hung wood windows.

You may wish to stock these related parts: **F-2539**.



F-2595

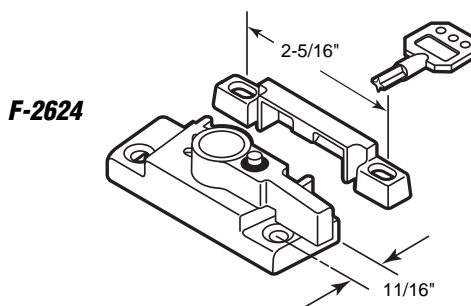
F-2595 (Black finish)

Sash Lock

Contents: 1 lock; 2 installation screws.

Description: Diecast construction with **deep offset latch**; fits on **Krestmark** single-hung aluminum windows and others.

You may wish to stock these related parts: **F-2631**.



F-2624

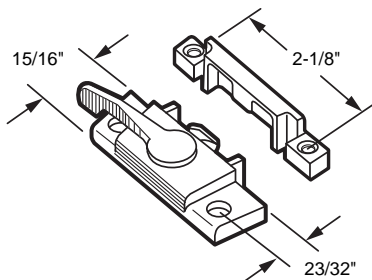
F-2624 (White finish)

Keyed Lock Sash

Contents: 1 lock; 1 keeper; 2 keys; 1 set of installation screws.

Description: Diecast construction; cam type latch action; with alignment lugs; **unlocks only with key**.

You may wish to stock these related parts: **F-2631**.



F-2554

F-2554 (White finish)

Sash Lock

Contents: 1 lock; 1 keeper; 1 set of installation screws.

Description: Diecast with **alignment lugs**, cam-type action; used on vinyl framed windows.

You may wish to stock these related parts: **F-2630**.

Call for
Availability

Sliding Window Latches

F-2629 (White finish)

F-2632 (Brass finish)

Sash Lock

Contents: 1 lock; 1 keeper; 1 set of installation screws.

Description: Diecast construction; cam-type action; used on vinyl windows.

You may wish to stock these related parts: **F-2630**, **F-2558**.

F-2625 (Left hand)

F-2626 (Right hand)

Sash Lock (White finish)

Contents: 1 lock; 1 keeper; 1 set of installation screws.

Description: Diecast construction; fits on *Better Built* on Series 350 vinyl windows.

You may wish to stock these related parts: **G-3086**.

F-2654 (Black finish)

Sash Lock

Contents: 1 latch; 1 keeper; 1 set of installation screws.

Description: Heavy duty diecast latch assembly and keeper; cam action lock holds window securely closed. Flush mount strike requires a 1-1/2" x 3/8" x 1/4" deep recess.

F-2539 (Chrome finish)

F-2540 (Brass finish)

Sash Lift

Contents: 2 lifts; 2 sets of installation screws

Description: Stamped steel construction; designed to aid in opening double-hung wood windows.

You may wish to stock these related parts: **F-2537**, **F-2538**.

F-2536 (Brass finish)

F-2556 (Antique brass finish)

Sash Lift

Contents: 2 sash lifts with installation screws.

Description: Zinc diecast construction; used on double-hung windows as a lift handle.

You may wish to stock these related parts: **F-2537**, **F-2617**.

F-2558 (Brass finish)

F-2560 (Antique brass finish)

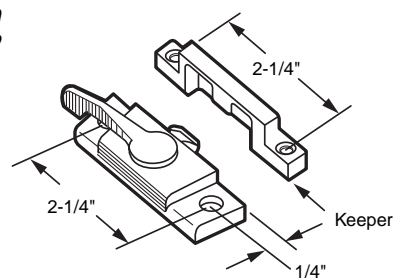
Deluxe Sash Lift

Contents: 2 sash lifts with installation screws.

Description: Wrought steel sash lift; decorator style; used on double-hung windows.

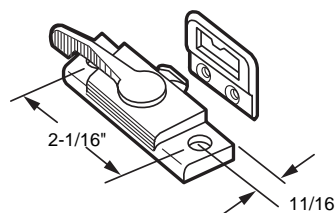
F-2629

F-2632



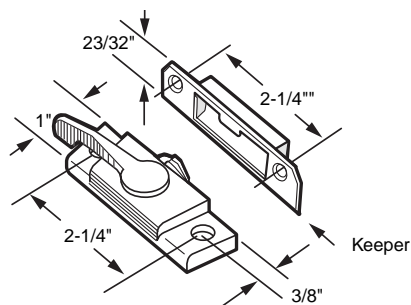
F-2625

F-2626



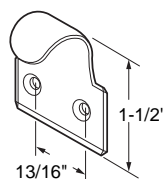
Left hand shown

F-2654



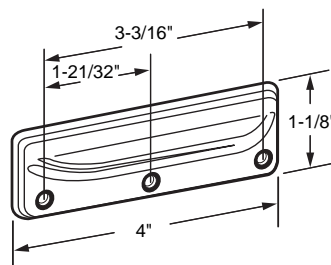
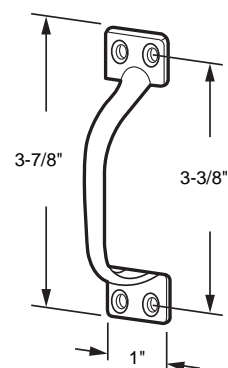
F-2539

F-2540



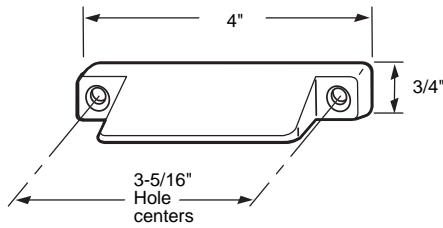
F-2536

F-2556



F-2558
F-2560

F-2630
F-2631



F-2630 (White finish)
F-2631 (Black finish)

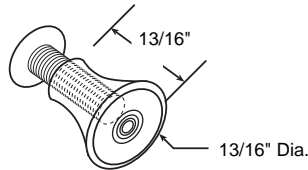
Deluxe Sash Lift

Contents: 2 sash lifts with installation screws.

Description: Diecast sash lift; **deluxe style**; used on double hung windows.

You may wish to stock these related parts: **F-2617**.

F-2616

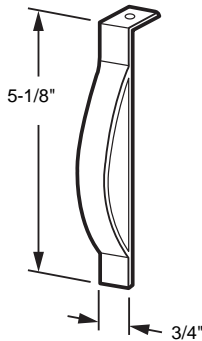


F-2616

Acrylic Knob

Contents: 2 knobs; 2 nylon screws.

Description: Clear acrylic knobs; used on sliding pass-thru windows and sliding medicine cabinet panels.



F-2537

F-2537

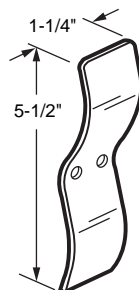
Sash Spring

Contents: 2 springs; 2 nails.

Description: Spring steel construction; allows repair of broken sash cords without removing sash; corner mounted; installs in seconds.

You may wish to stock these related parts: **H-3577, H-3578, H-3579, H-3580, H-3630**.

F-2538



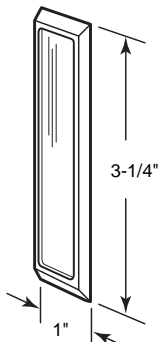
F-2538

Sash Spring

Contents: 2 springs.

Description: Spring steel construction; **chrome plated**; side mounted; no nails required; removal of sash not required for installation.

You may wish to stock these related parts: **H-3577, H-3578, H-3579, 3580, H-3630**.



F-2549
F-2550
F-2551

F-2549 (Clear)
F-2550 (Black)
F-2551 (Gold)

Pass-Thru Finger Pull

Contents: 2 pulls.

Description: Adhesive-backed plastic handle; easy installation; universal application.

Sliding Window Latches

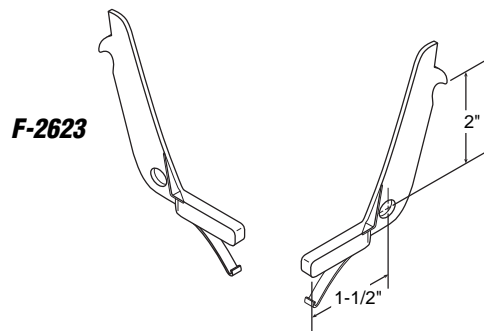
F-2623 (Black)

Latch and Pull

Contents: 1 left hand latch; 1 right hand latch; 2 binder posts.

Description: Plastic latches with steel springs; fits on *Phillips Industries* on single hung sash windows.

You may wish to stock these related parts **G-3069**, **G-3070**, **G-3132**.



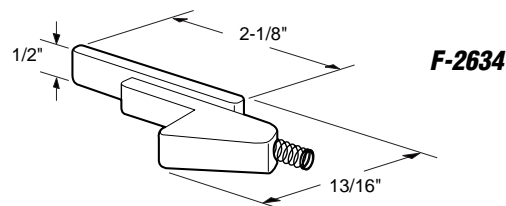
F-2634 (Black)

Latch and Pull

Contents: 2 latches with springs.

Description: Plastic latches are non-handed; fits on *Tyco* on **Series 75** single hung sash windows.

You may wish to stock these related parts **G-3038**, **G-3071**.



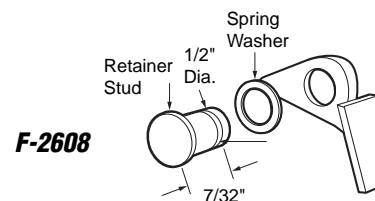
F-2608 (Black)

Latch

Contents: 1 latch; 1 retainer stud; 1 spring washer.

Description: Adjustable plastic latch; can be raised or lowered on aluminum stile; fits on *Rolleze* on **Series 710** sliding windows.

You may wish to stock these related parts **G-3065**, **G-3105**.

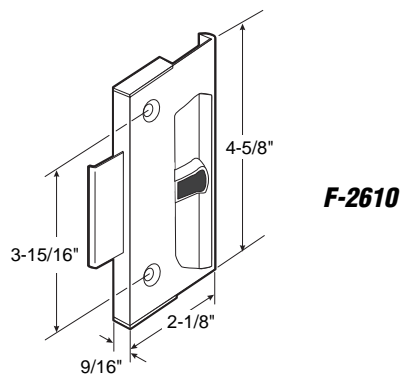


F-2610 (Black finish)

Pull and Latch

Contents: 1 pull assembly with installation screws.

Description: Powder coated aluminum pull; vinyl base and latch activator. Clamp style latch device is used on many commercial windows.



F-2641 (Black finish)

Pull and Latch

Contents: 1 pull assembly; 1 set of installation screws.

Description: Extruded aluminum latch with vinyl base; surface mounted hook style latch with anti-lift bar for additional security; used by several commercial window manufacturers.

