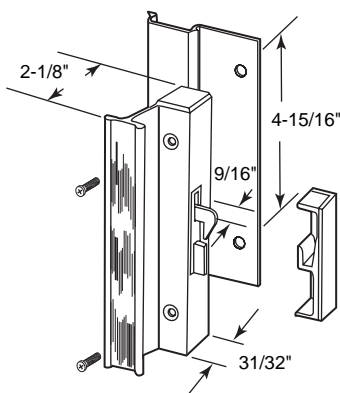
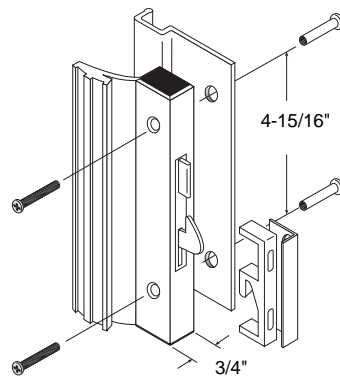
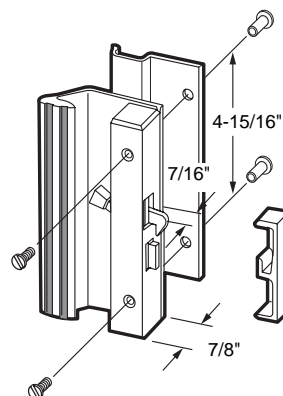


C-1000
C-1001
C-1185
C-1203

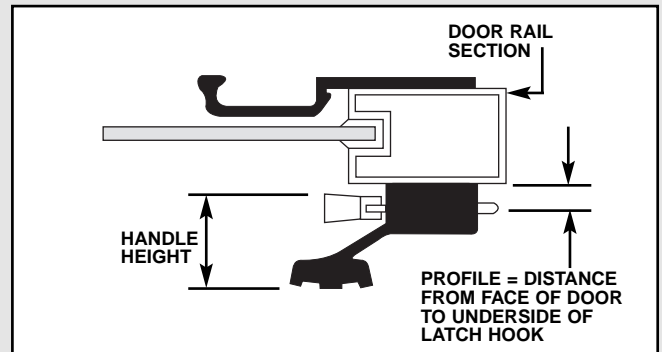


C-1002
C-1003

C-1004
C-1007
C-1191



*The following pages offer
a comprehensive selection of:*
**Surface Mounted - Hook Style
HANDLE SETS**



- C-1000** (Aluminum)
- C-1001** (Black)
- C-1185** (Bronze)
- C-1203** (White)

Handle Set (Standard handle height)

Contents: 1 inside pull and latch assembly; 1 outside pull; 1 face mounting keeper; installation fasteners.

Description: Extruded aluminum inside and outside pulls; fixed anti-lift bar for additional security; reversible for right or left hand doors; overall handle height is 1-1/2"; latch hook profile is 3/8".

You may also wish to stock these related parts: C-1041, E-2046, E-2057, E-2061, E-2078.

- C-1002** (Aluminum)
- C-1003** (Black)

Handle Set (High handle height)

Contents: 1 inside pull and latch assembly; 1 outside pull; 1 face mounting keeper; installation fasteners.

Description: Same handle design as C-1000 except overall handle height is 2-1/8"; latch hook profile is 9/16".

You may also wish to stock these related parts: E-2046, E-2047, E-2061, E-2078.

- C-1004** (Aluminum)
- C-1007** (Black)
- C-1191** (White)

Handle Set (Low handle height)

Contents: 1 inside pull and latch assembly; 1 outside pull; 1 face mounting keeper; installation fasteners.

Description: Same handle design as C-1000 except overall handle height will offer lower profile, approximately 1"; latch hook profile is 7/16"; allows clearance for blinds & draperies.

You may also wish to stock these related parts: C-1041, E-2000, E-2046, E-2047.

Sliding Patio Door

C-1016

C-1017 (With keyed lock)

Handle Set (Aluminum)

Contents: 1 inside pull and latch assembly; 1 outside pull; installation fasteners.

Description: Universal design; replaces most surface latch sets; **diecast** assembly with **wood** handle; **diecast** thumb turn with **steel** hook; 2-way **diecast** keeper.

You may also wish to stock these related parts: **E-2000, E-2052, E-2053.**

C-1198 (Aluminum)

C-1125 (Black)

C-1118 (White)

C-1119 (Almond)

Handle Set

Contents: 1 inside pull and latch assembly; 1 outside pull; 1 face mounting keeper; installation fasteners.

Description: **Extruded aluminum** inside and **diecast** outside pulls; fixed **anti-lift bar** for additional security; **reversible** for right or left hand doors; **latch hook profile is 7/16"**.

You may also wish to stock these related parts: **C-1041, E-2046, E-2057, E-2061, E-2078.**

C-1020 (Aluminum)

C-1021 (Bronze)

Handle Set

Contents: 1 inside pull and latch assembly; 1 outside pull; 1 keeper; installation fasteners.

Description: Designed for **Sears** sliding patio doors; **diecast** inside pull with **wood** handle; **anti-lift bar**; **steel** hook; **flush extruded aluminum** outside pull; **latch hook profile is 1/2"**.

You may also wish to stock these related parts: **C-1049, E-2042, E-2044, E-2061, E-2078.**

C-1060 (Aluminum)

C-1061 (Black)

Handle Set

Contents: 1 deluxe inside pull and latch assembly; 1 outside pull; side and face mount keeper; installation fasteners.

Description: **Extruded aluminum** inside and outside pulls; **wood** handle; surface mount; fixed **anti-lift bar** for additional security; **reversible** for right or left hand doors; **latch hook profile is 3/8"**.

You may also wish to stock these related parts: **C-1041, C-1049.**

C-1070 (Aluminum)

C-1071 (Black)

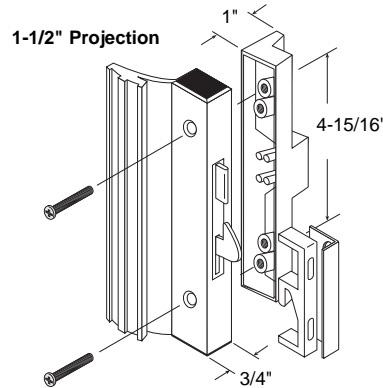
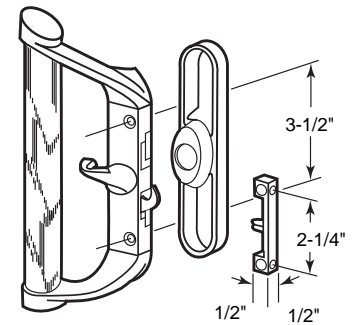
Handle Set

Contents: 1 deluxe inside pull and latch assembly; 1 outside pull; side and face mount keeper; installation fasteners.

Description: **Extruded aluminum** inside and outside pulls; surface mount; fixed **anti-lift bar** for additional security; **reversible** for right or left hand doors; overall **handle height is 1-1/2"**; **latch hook profile is 3/8"**.

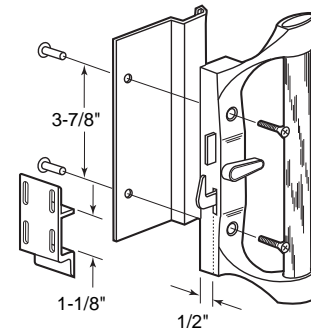
You may also wish to stock these related parts: **C-1041, C-1049.**

C-1016
C-1017



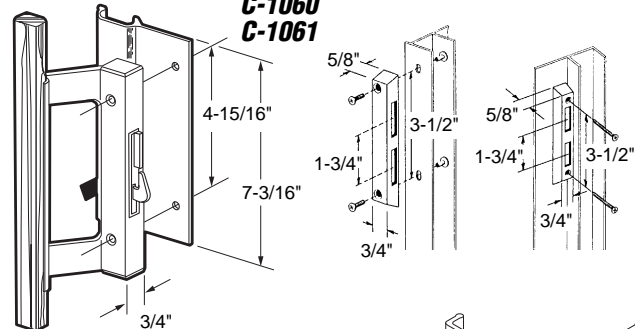
C-1198
C-1125
C-1118
C-1119

C-1020
C-1021

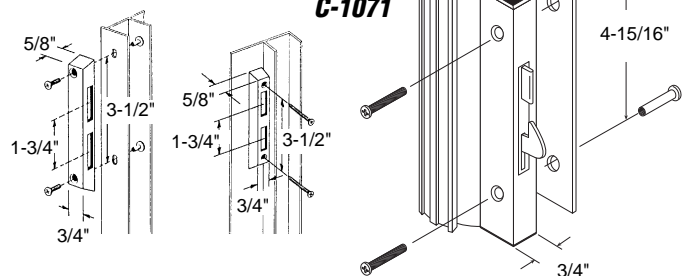


3-1/2" Projection

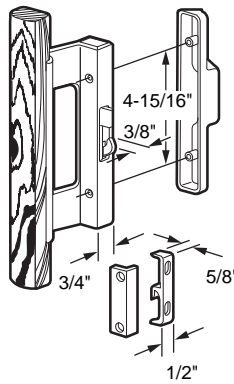
C-1060
C-1061



C-1070
C-1071



C-1105



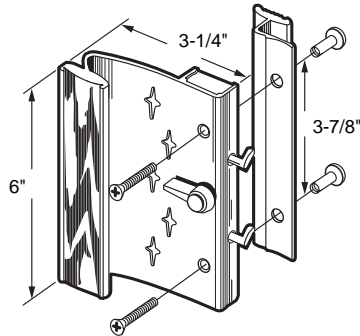
C-1105 (Black)

Handle Set

Contents: 1 inside pull and latch assembly; 1 outside pull; 1 keeper; installation fasteners.

Description: Extruded aluminum inside pull includes wood handle; keyable diecast outside pull; fixed anti-lift bar for additional security; reversible for left or right hand doors; overall handle height is 3-1/2"; latch hook profile is 3/8".

You may also wish to stock these related parts: E-2000.



C-1014
C-1015

C-1014 (Aluminum)

C-1015 (Black)

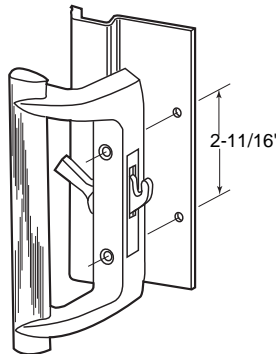
Handle Set

Contents: 1 inside pull and latch assembly; 1 outside pull; installation fasteners.

Description: Designed for Ador/Hilite doors; extruded aluminum inside and outside pulls; handles latches into door jamb (no strike necessary).

You may also wish to stock these related parts: C-1010, C-1011, C-1012, C-1013, E-2032, E-2092.

C-1048
C-1084



C-1048 (Aluminum)

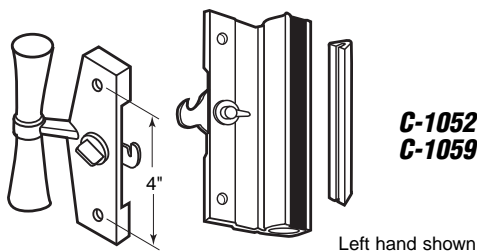
C-1084 (Black)

Handle Set

Contents: 1 inside pull and latch assembly; 1 outside pull; installation fasteners.

Description: Diecast inside pull with wood handle; flush extruded aluminum outside pull; surface mount; plastic latch activator and steel hook; designed for Cupples patio doors.

You may also wish to stock these related parts: C-1024, D-1519, E-2020, E-2029.



Old Style

Left hand shown

C-1052
C-1059

C-1052 (Left hand)

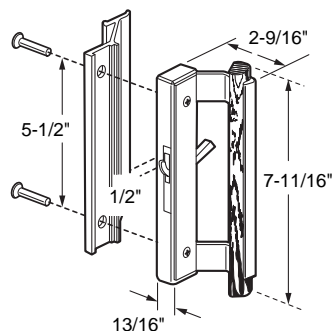
C-1059 (Right hand)

Handle Set (Aluminum)

Contents: 1 inside pull and latch assembly; 1 outside pull; installation fasteners.

Description: Extruded aluminum inside and outside pulls; diecast thumbturn and steel hook; designed for Premier doors.

C-1093



C-1093 (Aluminum)

Handle Set

Contents: 1 inside pull and latch assembly; 1 outside pull; installation fasteners.

Description: Extruded aluminum handle with wood insert; plastic base with reversible latch for left or right hand; fits on doors by Adams Rite.

You may also wish to stock these related parts: E-2029, E-2046.

Sliding Patio Door

C-1023 (Aluminum)

C-1024 (Black)

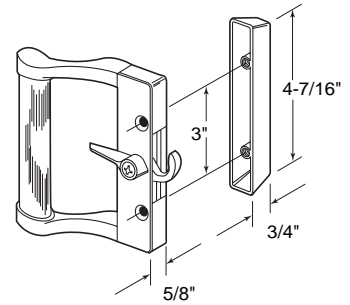
Handle Set

Contents: 1 inside pull and latch assembly; 1 outside pull; 1 keeper; installation fasteners.

Description: Universal design **diecast** inside pull with **wood** handle; side or face mount keeper; **diecast** outside pull; surface mount.

You may also wish to stock these related parts: **E-2017**, **E-2031**, **E-2062**, **E-2097**.

C-1023
C-1024



C-1079

C-1094 (Keyed)

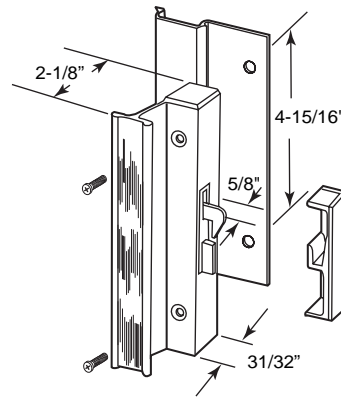
*Call for
Availability*

Handle Set (Black)

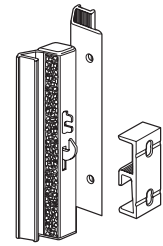
Contents: 1 inside latch and pull; 1 outside pull; 1 face mounting keeper; 1 set of installation fasteners.

Description: **Extruded aluminum** handle; **steel** hook and reversible **anti-lift pin** for left or right hand installations; fits on **Arcadia** doors.

You may also wish to stock these related parts: **E-2071**.



C-1079
C-1094



Old Style

C-1046 (Black)

*Call for
Availability*

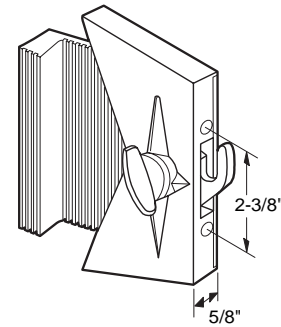
Handle Set

Contents: 1 inside pull and latch assembly.

Description: Designed for **Horizon** doors; replaces old style plastic handle; also known as **Star Lock**, heavy **diecast** lock.

You may also wish to stock these related parts: **D-1566**, **D-1567**, **E-2064**.

C-1046

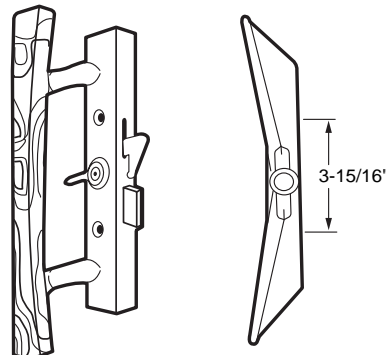


C-1187

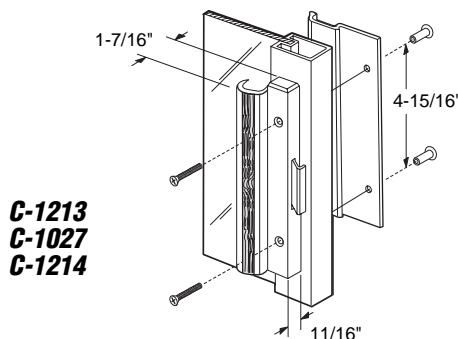
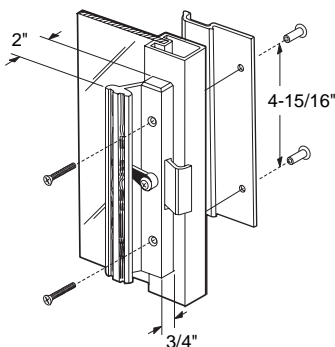
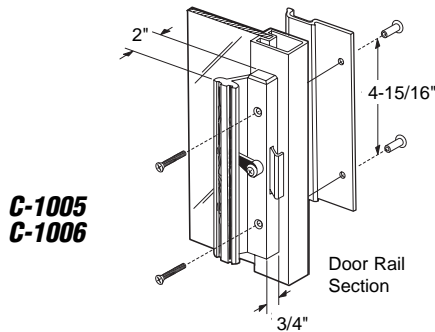
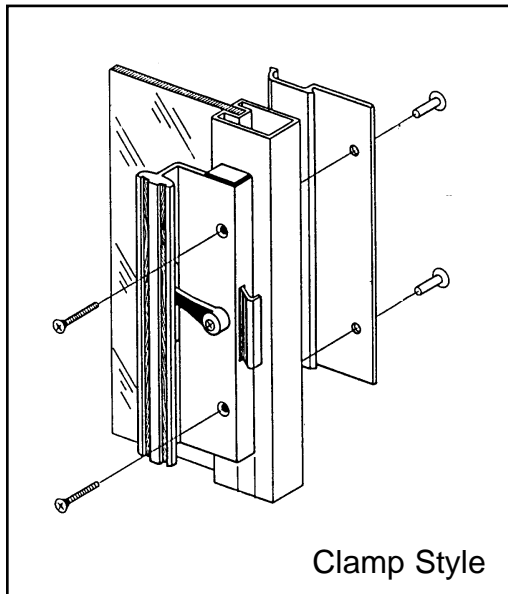
Handle Set

Contents: 1 inside pull and latch assembly; 1 outside pull; installation fasteners.

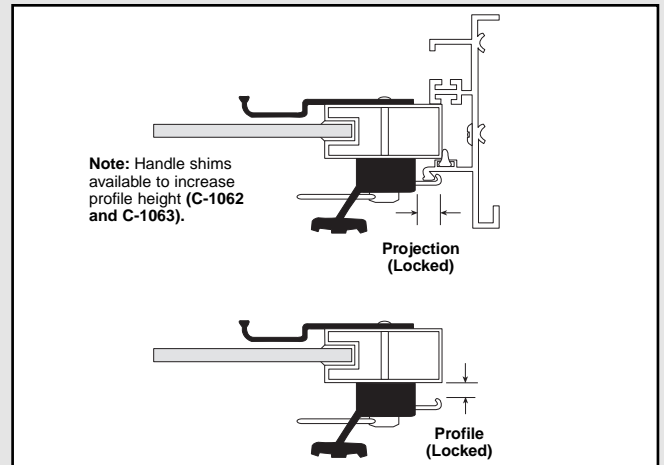
Description: **Diecast** inside pull with **wood** insert; **diecast** outside pull and **anti-lift bar** for additional security; for right or left handed applications.



C-1187



The following pages offer
a comprehensive selection of:
Surface Mounted - Clamp Style
HANDLE SETS



C-1005 (Aluminum)

C-1006 (Black)

Handle Set

Contents: 1 inside pull and latch assembly; 1 outside pull; installation fasteners.

Description: Extruded aluminum inside and flush outside pull; surface mounted; clamp-latch with metal activator; latch hook profile is 1/4"; projection is 1/2"; used by many patio door manufacturers.

C-1077 (Aluminum)

C-1078 (Black)

Handle Set

Contents: 1 inside pull and latch assembly; 1 outside pull; installation fasteners.

Description: Extruded aluminum inside pull; clamp-latch with metal activator; extruded aluminum outside pull; designed for Lupton, Rolleze and many patio door manufacturers; latch hook profile is 3/16"; projection is 11/16".

You may also wish to stock these related parts: **C-1049**.

C-1213 (Aluminum)

C-1027 (Black)

C-1214 (White)

Handle Set

Contents: 1 inside pull and latch assembly; 1 outside pull; installation fasteners.

Description: Designed for Northrop Architectural doors; extruded aluminum inside pull with metal activator and clamp-latch; flush extruded aluminum outside pull; latch hook profile is 3/16"; projection is 7/16".

Sliding Patio Door

- C-1106 (Black)
- C-1116 (White)
- C-1117 (Almond)

Handle Set

Contents: 1 inside pull and latch assembly; 1 outside pull; installation fasteners.

Description: Extruded aluminum inside pull; clamp-latch with metal activator; diecast outside pull has knock-out for converting to keyed cylinder lock; latch hook profile is 1/4"; projection is 1/2"; used by many patio door manufacturers.

You may also wish to stock these related parts: C-1113, C-1114.

- C-1126 (Black)
- C-1181 (White)

Handle Set

Contents: 1 inside pull and latch assembly; 1 outside pull; installation fasteners.

Description: Extruded aluminum inside pull with wood handle; diecast outside pull has knock-out for converting to keyed cylinder lock; latch hook profile is 1/4"; projection is 7/16".

- C-1055 (Aluminum)
- C-1073 (Black)
- C-1206 (White)

Handle Set

Contents: 1 inside pull and latch assembly; 1 outside pull; installation fasteners.

Description: Extruded aluminum inside pull; clamp-latch with plastic activator; flush extruded aluminum outside pull; designed to fit *International* doors; latch hook profile is 1/4" and the projection is 9/16".

You may also wish to stock these related parts: C-1087, D-1518, D-1720, D-1777, D-1778, E-2039, E-2072, E-2073.

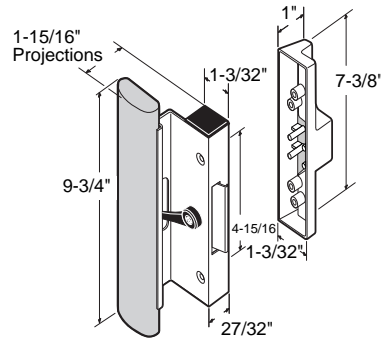
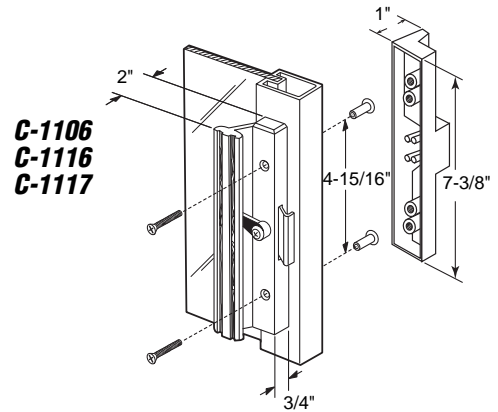
- C-1201 (Black)
- C-1202 (White)

Handle Set

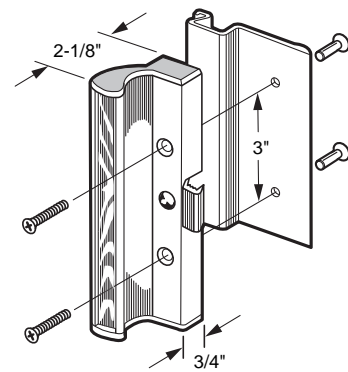
Contents: 1 inside pull and latch assembly; 1 outside pull; installation fasteners.

Description: Extruded aluminum inside pull; clamp-latch with plastic activator; flush diecast outside pull; designed to fit *International* doors; latch hook profile is 1/4" and the projection is 9/16".

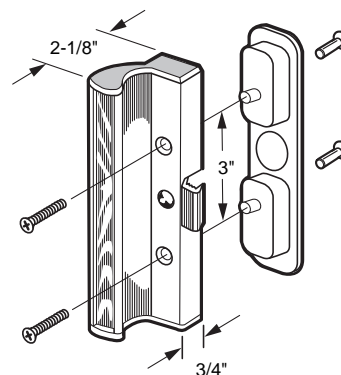
You may also wish to stock these related parts: C-1087, D-1518, D-1720, D-1777, D-1778, E-2039, E-2072, E-2073.



C-1126
C-1181

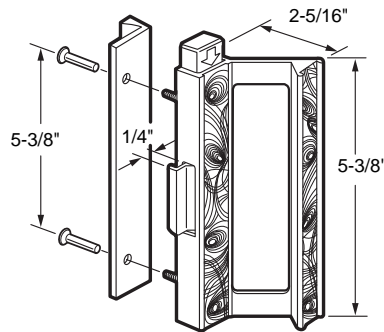


C-1055
C-1073
C-1206



C-1201
C-1202

C-1092



C-1092 (Black)

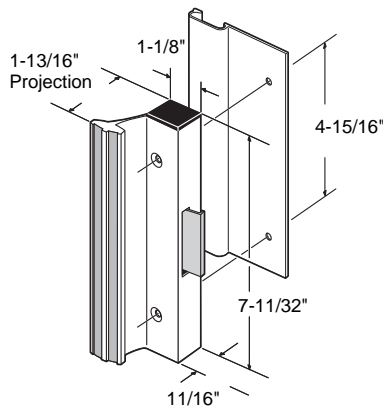
*Call for
Availability*

Handle Set

Contents: 1 inside pull and latch assembly; 1 outside pull; installation fasteners.

Description: Anodized extruded aluminum clamp-type latch; extruded aluminum outside pull; fits on doors by *Rusco/Hilite*.

You may also wish to stock these related parts: **D-1690, D-1691, D-1700.**



C-1162
C-1163

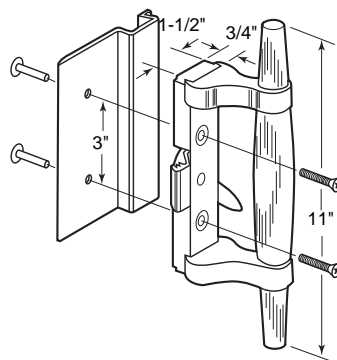
C-1162 (Aluminum)

C-1163 (Bronze)

Handle Set

Contents: 1 inside pull and latch assembly with wood grain strip; 1 flush outside pull; installation fasteners.

Description: Extruded aluminum inside handle; with clamp style latch and metal activator; extruded aluminum outside pull; latch hook profile is 3/16"; projection is 7/16".



C-1022
C-1072

C-1022 (Aluminum)

C-1072 (Bronze)

Handle Set

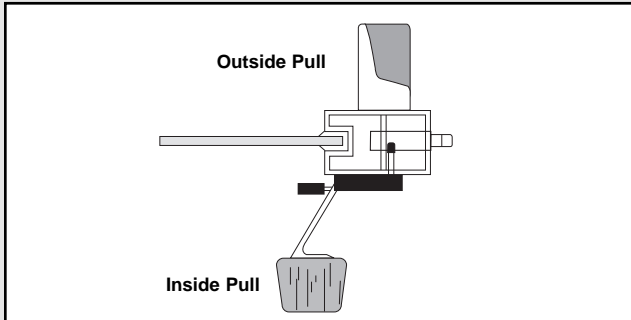
Contents: 1 inside pull and latch assembly; 1 outside pull; installation fasteners.

Description: Extruded aluminum inside pull with wood handle; complete with plastic thumbturn and aluminum clamp-latch assembly; flush extruded aluminum outside pull; designed for *International* doors (deluxe series handle); latch hook profile is 1/4" and the projection is 9/16".

You may also wish to stock these related parts: **C-1087, D-1518, D-1720, D-1777, D-1778, E-2039, E-2072, E-2073.**

The following pages offer a comprehensive selection of:

Mortise Style HANDLE SETS



C-1019 (Aluminum)

C-1091 (Black)

C-1173 (Bronze)

C-1210 (White)

Handle Set

Contents: 1 inside pull and 1 outside pull; installation fasteners.

Description: Deluxe handle set for mortise locks; **extruded aluminum** inside pull with **heavy-duty wood** handle; **diecast** outside pull; designed to be used with any of the following mortise latches.

You may also wish to stock these related parts: **E-2008, E-2009, E-2014, E-2079, E-2111.**

C-1035 (Non-keyed)

C-1036 (Keyed)

Handle Set (Aluminum)

Contents: 1 inside pull; 1 latch plate; 1 outside pull; installation fasteners.

Description: Inside pull with **wood** handle and **diecast** brackets; **extruded aluminum** latch with **diecast** thumbturn and **steel** lock activator; **extruded aluminum** outside pull; designed for **Daryl** doors, but will function with a variety of mortise locks.

You may also wish to stock these related parts: **E-2000, E-2007, E-2014, E-2033, E-2034.**

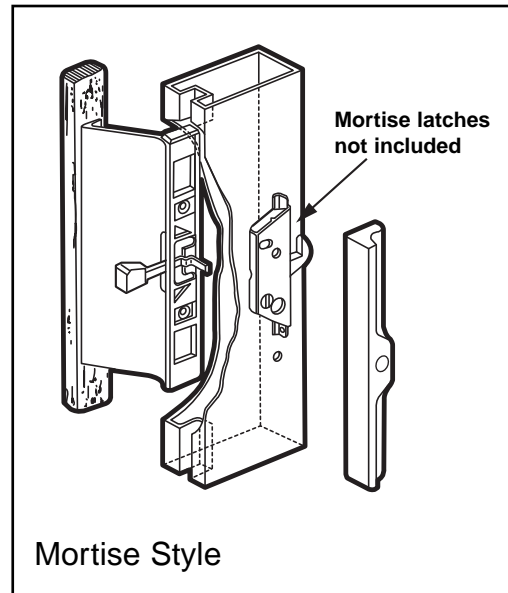
C-1039 (Aluminum)

Handle Set

Contents: 1 inside pull; 1 outside pull; installation fasteners.

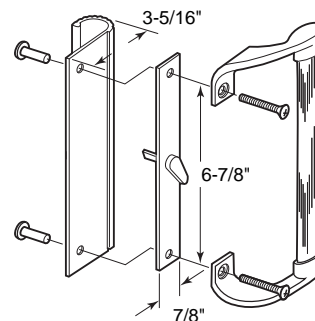
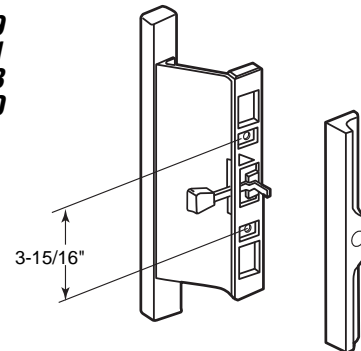
Description: **Extruded aluminum** inside pull with **diecast** thumbturn and latching assembly for mortise lock; flush **extruded aluminum** outside pull; replacement for all **Fairview** doors.

You may also wish to stock these related parts: **E-2008, E-2009, E-2011, E-2012, E-2013, E-2021, E-2026, E-2027, E-2034, E-2035, E-2079, E-2080.**



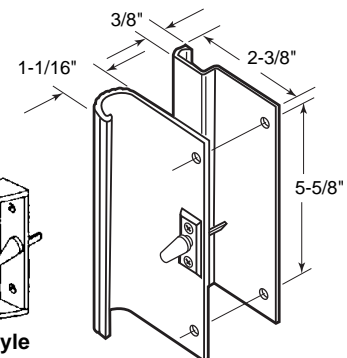
Mortise Style

C-1019
C-1091
C-1173
C-1210



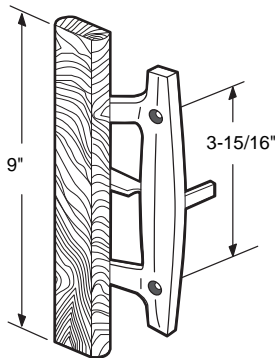
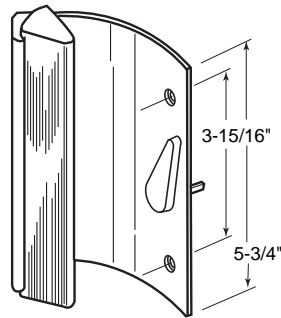
C-1035
C-1036

C-1039



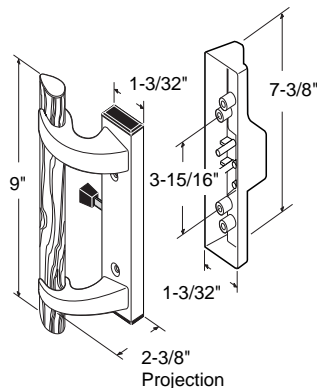
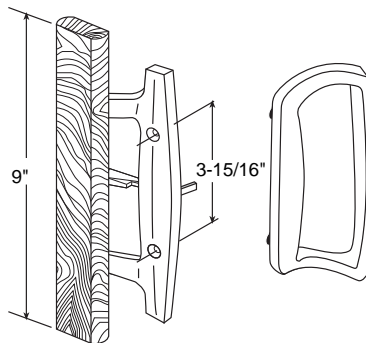
Old Style

C-1040
C-1042



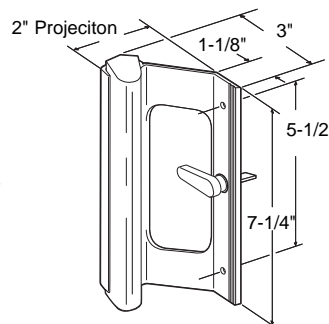
C-1127
C-1208

C-1131
C-1204



C-1128

C-1155
C-1184



*Call for
Availability*

C-1040 (Aluminum)
C-1042 (Bronze)

Handle

Contents: 1 inside pull; 1 thumb latch; installation fasteners.

Description: Extruded aluminum inside pull with wood handle; diecast thumb turn and latch activator.

You may also wish to stock these related parts: E-2008, E-2009, E-2012, E-2013, E-2026, E-2027, E-2033, E-2034, E-2035, E-2079.

C-1127 (Black)
C-1208 (White)

Handle Set

Contents: 1 inside pull; 1 thumb latch; installation fasteners.

Description: Deluxe handle for mortise locks; diecast aluminum with wood pull; 1 diecast thumb turn; may be used with the following latching units: E-2008, E-2009, E-2012, E-2013, E-2079; non-handed; surface mounted.

C-1131 (Black)
C-1204 (White)

Handle Set

Contents: 1 inside pull with thumb latch; 1 outside pull; installation fasteners.

Description: Diecast inside pull with wood handle; diecast thumb turn and steel latch activator; diecast outside pull.

C-1128 (White)

Handle Set

Contents: 1 inside pull; 1 outside pull; installation fasteners.

Description: Extruded aluminum inside pull with wood handle; diecast outside pull; may be used with the following locking units: E-2009, E-2011, E-2012, E-2013, E-2021, E-2026, E-2027, E-2079, E-2080.

You may also wish to stock these related parts: E-2039, E-2053.

C-1155 (Aluminum)
C-1184 (Bronze)

Handle Set

Contents: 1 inside pull; thumb lock; installation fasteners.

Description: Extruded aluminum pull with wood insert.

Sliding Patio Door

C-1156 (Aluminum)

Handle Set

Contents: 1 inside slide latch.

Description: Extruded aluminum housing with plastic slide activator; works with *Adams Rite* mortise locks.

*Call for
Availability*

C-1174 (Brass plated)

C-1176 (White)

Handle Set (Decorative)

Contents: 1 inside pull and thumb turn; 1 outside pull; installation fasteners.

Description: High profile diecast handle set for mortise locks; non-handed outside pull can be keyed using **E-2144** key cylinder adapter kit.

C-1177 (White)

Handle Set (Decorative)

Contents: 1 inside pull and thumb latch; 1 outside pull; installation fasteners.

Description: Low profile diecast handle set for mortise locks; non-handed outside pull can be keyed using **E-2144** key cylinder adapter kit.

C-1178 (White)

Handle Set (Decorative)

Contents: 1 inside pull and thumb latch; 1 outside pull; installation fasteners.

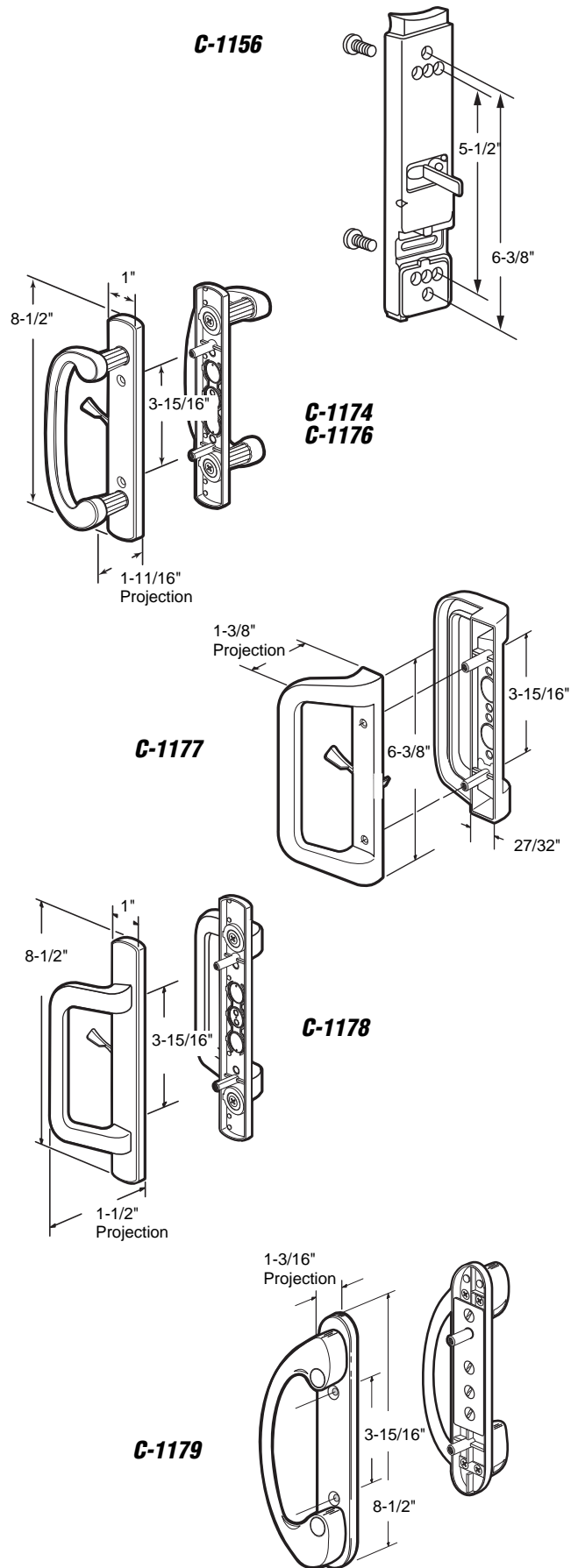
Description: Low profile; long base diecast handle set for mortise locks; non-handed outside pull can be keyed using **E-2145** key cylinder adapter kit.

C-1179 (White)

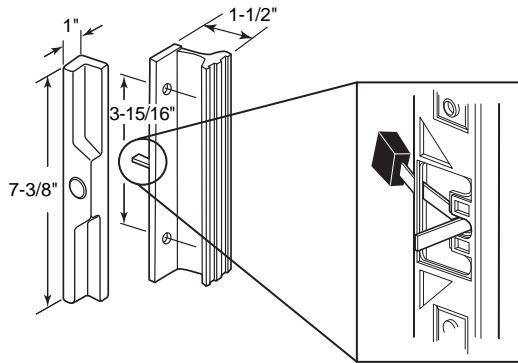
Handle Set (Decorative)

Contents: 1 inside pull and thumb latch; 1 outside pull; installation fasteners.

Description: Diecast handle set for mortise locks; new internal design allows placement of key cylinder away from handle set pull area; adapts to most mortise lock locations.



C-1058
C-1111
C-1112



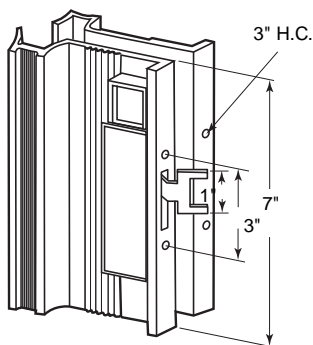
C-1058 (Black)
C-1111 (White)
C-1112 (Almond)

Handle Set

Contents: 1 inside pull; 1 outside pull; installation fasteners.

Description: Standard handle set for mortise locks; **extruded aluminum** inside pull; **diecast** outside pull; designed to be used with any of the following latch units: **E-2008, E-2009, E-2014, E-2079, E-2111**; non handed, surface mount; removable knock-out slug for adding key cylinder.

You may also wish to stock these related parts: **E-2000, E-2095, E-2117.**



C-1028
C-1029
C-1142
C-1143

*Call for
Availability*

C-1028 (Single glazed)
C-1029 (Single glazed-keyed)
C-1142 (Dual glazed-keyed)
C-1143 (Dual glazed)

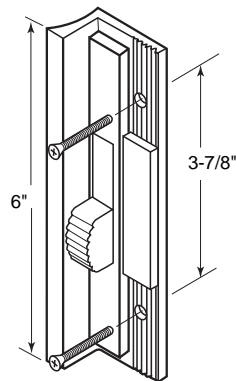
Handle Set (Black)

Contents: 1 inside pull; 1 outside pull; installation fasteners.

Description: **Extruded aluminum** inside pull; with **plastic** latch assembly and **steel** actuator fork; **extruded aluminum** outside pull; designed for **Guaranteed** patio door.

You may also wish to stock these related parts: **C-1109, E-2007, E-2080, E-2109.**

C-1026
C-1164

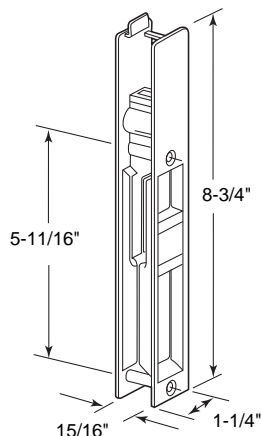


C-1026 (Aluminum)
C-1164 (Bronze)

Inside Pull and Actuator

Contents: 1 inside pull; 1 set of installation fasteners.

Description: **Extruded aluminum** surface mount handle to operate mortise lock; designed to be used with a variety of latching units; **plastic** slide button for easy operating lock activator; non-handed; works with the following locking units: **E-2008, E-2009, E-2012.**



C-1030
C-1050

C-1030 (Non-keyed)
C-1050 (Keyed)

Handle Set (Aluminum)

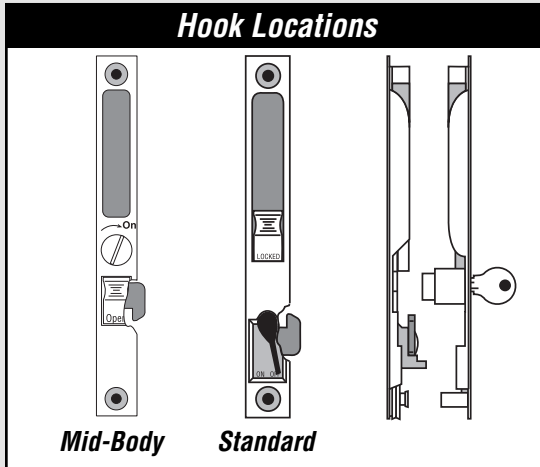
Contents: 1 inside pull; 1 outside pull; installation fasteners.

Description: **Diecast** flush latch and lock; used to **activate** mortise latches.

You may also wish to stock these related parts: **E-2008, E-2009.**

The following pages offer a comprehensive selection of:

Flush Mount HANDLE SETS



C-1032 (Black)
C-1149 (Chrome)

Standard Hook

Handle Set

Contents: 1 inside latch with deluxe wood pull; 1 outside pull; 1 keeper; installation fasteners; **4 hook assortment**; 1 locking cylinder with 2 keys.

Description: Diecast construction fits most popular flush lock cut-outs; comes complete with keyed cylinder lock; **reversible** for left or right hand; complete with 4 different hook lengths.

You may also wish to stock these related parts: **C-1033, C-1043, C-1045, C-1067, C-1075, C-1076, E-2005, E-2040, E-2082, E-2087, E-2088, E-2091, E-2098.**

C-1033 (Keyed)
C-1043 (Non-keyed)

Standard Hook

Handle Set (Black)

Contents: 1 inside latch; 1 outside pull with (locking cylinder); **4 hook assortment**; 1 keeper; installation fasteners.

Description: Diecast construction fits flush lock cut-outs; **reversible** latch; complete with keeper; same as **C-1032** without wood pull.

You may also wish to stock these related parts: **C-1034, C-1067, E-2005, E-2040, E-2087, E-2091.**

C-1074 (Keyed)
C-1099 (Non-keyed)

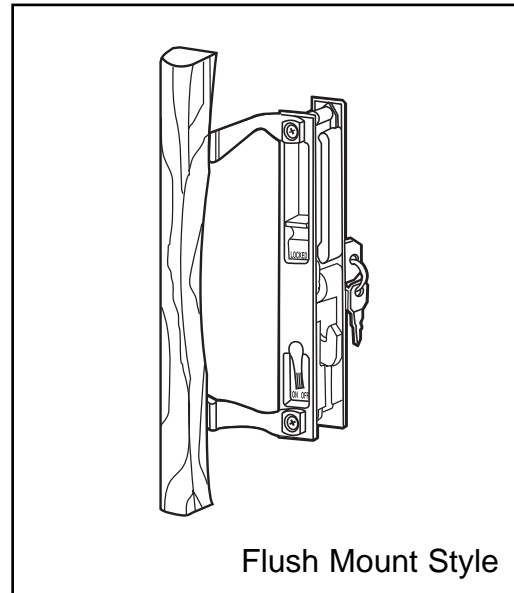
Unique Hook

Handle Set (Chrome)

Contents: 1 inside latch and pull; 1 outside latch; 1 locking cylinder; installation fasteners.

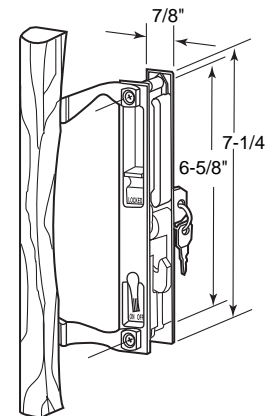
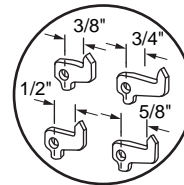
Description: Diecast construction; has push button activator with diecast hook; nite latch feature; fits on **Crossly** doors.

You may also wish to stock these related parts: **C-1068, E-2083.**

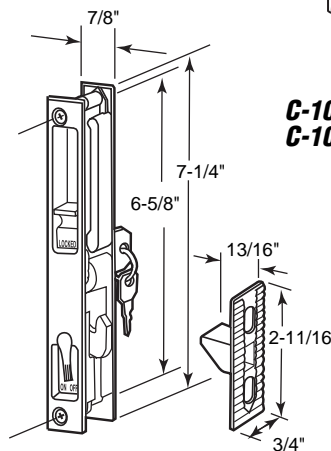
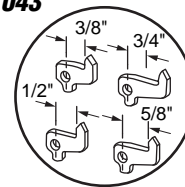


Flush Mount Style

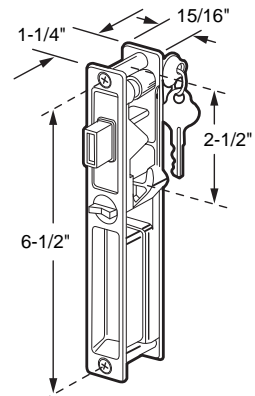
C-1032
C-1149



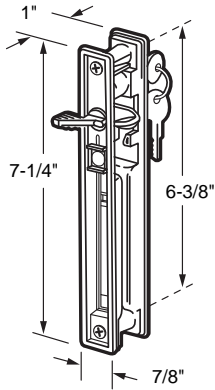
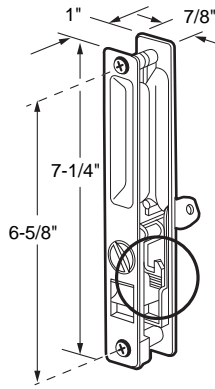
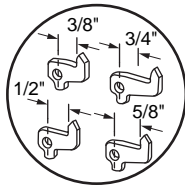
C-1033
C-1043



C-1074
C-1099



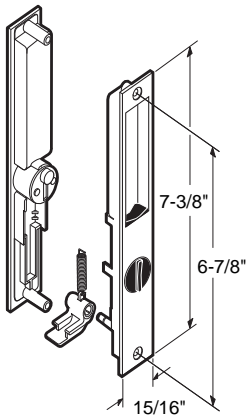
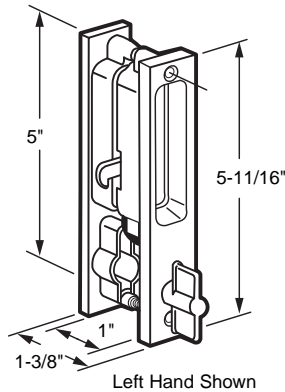
C-1075
C-1076



C-1086
C-1108

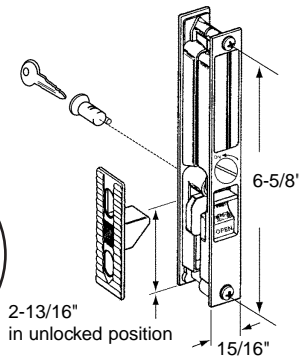
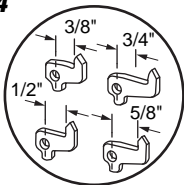
Unique Hook

C-1089
C-1090
C-1171
C-1172



C-1098
C-1146

C-1123
C-1129
C-1134



C-1075 (3/8" hook only)
C-1076 (4 hook assortment)

Standard Hook

Handle Set (Chrome)

Contents: 1 inside latch and pull; 1 outside pull; 1 locking cylinder; 1 keeper; 1 set of installation fasteners.

Description: Diecast construction; chrome plated; steel hook; nite latch feature; universal design; interchangeable hooks are reversible.

You may also wish to stock these related parts: **C-1034**, **C-1067**, **C-1069**, **E-2005**.

C-1086 (Keyed)
C-1108 (Non-keyed)

Call for Availability

Handle Set (Chrome)

Contents: 1 inside latch and pull; 1 outside pull; 1 locking cylinder; installation fasteners.

Description: Diecast construction; chrome finish flush type lock; designed for **Miller Industries (Mil-Door)**.

You may also wish to stock these related parts: **E-2084**.

C-1089 (Left - bronze)
C-1090 (Right - bronze)
C-1171 (Left - aluminum)
C-1172 (Right - aluminum)

Unique Hook

Handle Set (Keyed)

Contents: 1 inside latch and pull; 1 outside pull; 1 key lock; installation fasteners.

Description: Flush type lock; 5" hole centers; used in mobile homes; designed for **Fran Meyers**.

You may also wish to stock these related parts: **E-2000**, **E-2063**.

C-1098 (Keyed)
C-1146 (Non-keyed)

Unique Hook

Handle Set (Chrome)

Contents: 1 inside latch and pull; 1 outside pull; 1 lock assembly; 1 set of installation fasteners; 1 locking cylinder.

Description: Diecast construction; chrome finish; diecast hook; nite latch feature; designed for **Daryl Pr 300**.

You may also wish to stock these related parts: **C-1038**.

C-1123 (Black)
C-1129 (White)
C-1134 (Chrome)

Mid-Body Hook

Handle Set (Keyed)

Contents: 1 inside latch and pull; 1 outside pull; 1 keeper; 4 hook assortment with installation fasteners; 1 locking cylinder.

Description: Diecast flush inside and outside pull with key cylinder; interchangeable hooks are reversible.

Sliding Patio Door

C-1124 (Black)

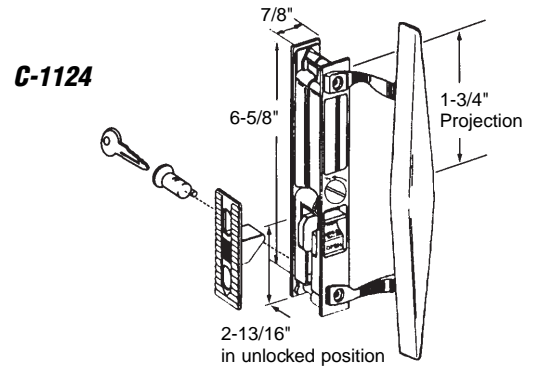
Mid-Body Hook

Handle Set (Keyed)

Contents: 1 inside latch and pull; 1 outside pull; 1 keeper; installation fasteners; 1 locking cylinder.

Description: Diecast latch with wood pull handle; has mid-body hook and key cylinder lock.

You may also wish to stock these related parts: **C-1069**.



C-1101 (Black - no pull)

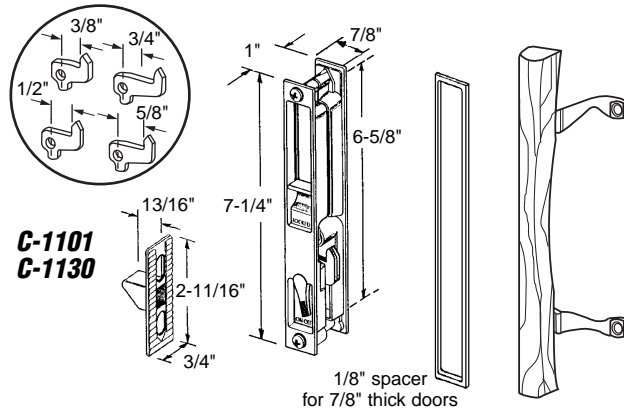
C-1130 (Black - with wood pull)

Standard Hook

Handle Set

Contents: 1 inside latch and pull; 1 outside pull; (1 wood handle); 1 spacer; 1 keeper; 4 hook assortment; installation fasteners.

Description: Diecast flush mount latch and keeper; 1/8" thick spacer designed to adapt to *Croft Metal Series 701* - 7/8" thick door stile; reversible latch hook.



C-1045 (Chrome - no pull)

C-1148 (Chrome - with wood pull)

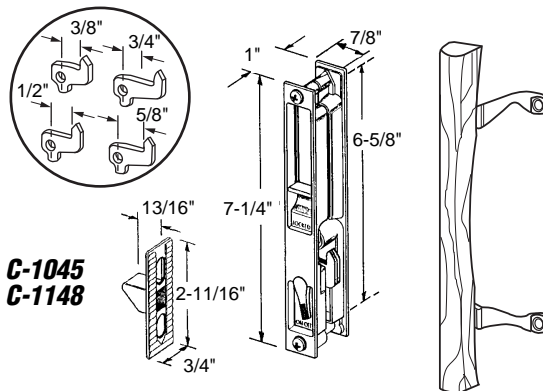
Standard Hook

Handle Set

Contents: 1 inside latch and pull; 1 outside pull; (1 wood handle); 4 hook assortment; 1 keeper; 1 set of installation fasteners.

Description: Diecast construction; fits most popular flush lock cut-outs; reversible latch hook; diecast keeper.

You may also wish to stock these related parts: **C-1034**, **C-1067**, **E-2005**, **E-2040**, **E-2087**, **E-2091**.



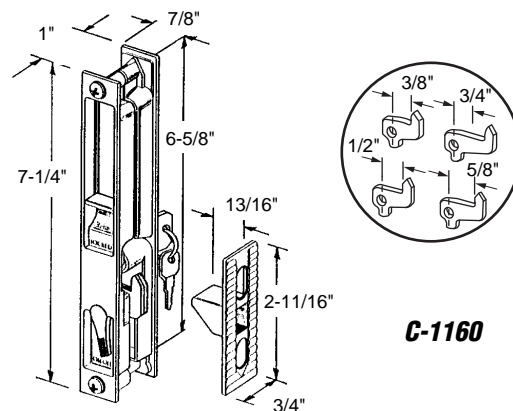
C-1160 (Brass plated)

Standard Hook

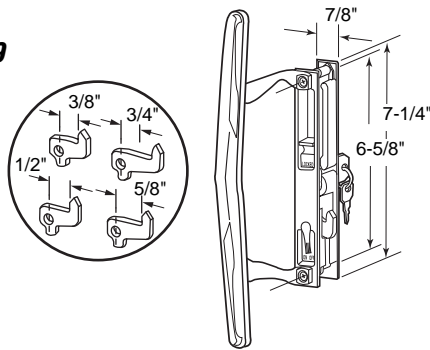
Handle Set (Keyed)

Contents: 1 inside latch and pull; 1 outside pull; 4 hook assortment; 1 keeper; 1 locking cylinder; 1 set of installation fasteners.

Description: Diecast construction; fits most popular flush lock cut-outs; reversible latch hook; diecast keeper.



C-1159



C-1159 (Brass plated)

Standard Hook

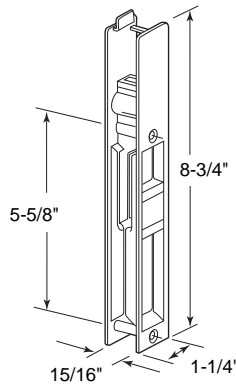
Handle Set (Keyed)

Contents: 1 inside latch with deluxe pull; 1 outside pull; 1 keeper; installation fasteners; **4 hook assortment**; 1 locking cylinder with 2 keys.

Description: Diecast construction; fits most popular flush lock cut-outs; comes complete with keyed cylinder lock; **reversible** for left or right hand; complete with 4 different hook lengths.

You may also wish to stock these related parts: **C-1033, C-1043, C-1045, C-1067, C-1075, C-1076, E-2005, E-2040, E-2082, E-2087, E-2088, E-2091, E-2098.**

C-1031



C-1031 (Aluminum)

Call for Availability

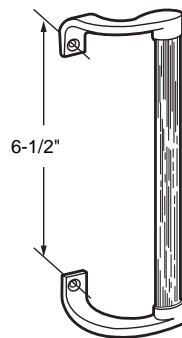
Latch and Pull

Contents: 1 inside pull; 1 outside pull; installation fasteners.

Description: Diecast construction; flush type **dummy trim** handle set; for *Adam Rite*.

You may also wish to stock these related parts: **C-1030, C-1050.**

C-1068
C-1110



C-1068 (Black)

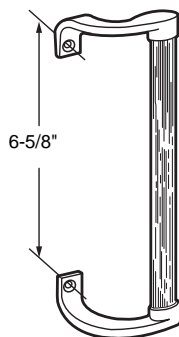
C-1110 (Gray)

Pull

Contents: 1 handle; installation fasteners.

Description: Painted diecast end caps with wood handle.

You may also wish to stock these related parts: **C-1074.**



C-1182
C-1183

C-1182 (Black)

C-1183 (Gray)

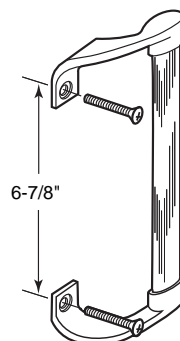
Pull

Contents: 1 inside pull; installation fasteners.

Description: Painted diecast end caps with wood pull.

You may also wish to stock these related parts: **C-1032, C-1033, C-1045, C-1075, C-1076, C-1086.**

C-1038
C-1193



C-1038 (Black)

C-1193 (Gray)

Pull

Contents: 1 deluxe wood pull; installation fasteners.

Description: Wood handle; painted diecast end caps; 6-7/8\"/>

You may also wish to stock these related parts: **C-1035, C-1036, C-1098.**

Sliding Patio Door

C-1034 (Chrome)

C-1192 (Black)

Pull

Contents: 1 inside wood pull; installation fasteners.

Description: Deluxe wood pull; painted or plated diecast brackets.

You may also wish to stock these related parts: **C-1032, C-1033, C-1045, C-1075, C-1076, E-2102.**

C-1069 (Chrome)

Pull

Contents: 1 inside pull; installation fasteners.

Description: Heavy duty wood pull; plated diecast brackets; used on many flush type locks.

You may also wish to stock these related parts: **C-1032, C-1033, C-1045, C-1075, C-1076, C-1086.**

C-1085 (Aluminum)

Pull

Contents: 1 inside pull; installation fasteners.

Description: Universal design inside pull with clear lucite pull bar; diecast aluminum brackets on 5-1/8" hole centers.

C-1088 (Aluminum)

Pull

Contents: 1 inside pull; installation fasteners.

Description: Extruded aluminum pull; brushed anodized finish; wood insert; fits on *Ador/Hilite* doors.

You may also wish to stock these related parts: **E-2000.**

C-1047 (Aluminum)

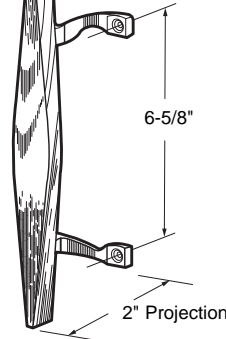
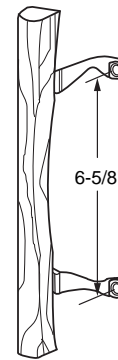
Pull

Contents: 1 handle; installation fasteners.

Description: Painted diecast inside pull with wood handle; fits on *Cupples* doors.

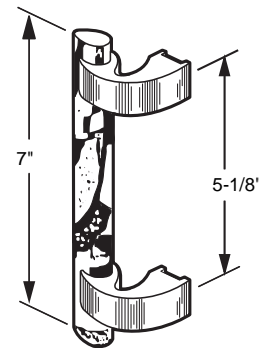
You may also wish to stock these related parts: **C-1008.**

C-1034
C-1192

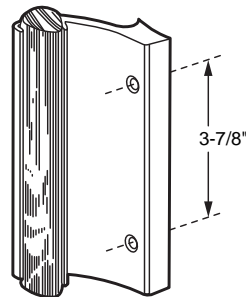


C-1069

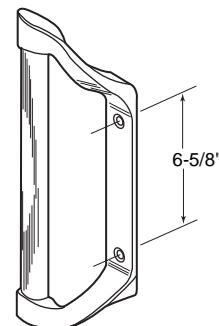
C-1085



C-1088

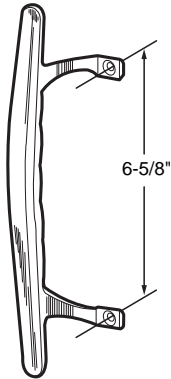
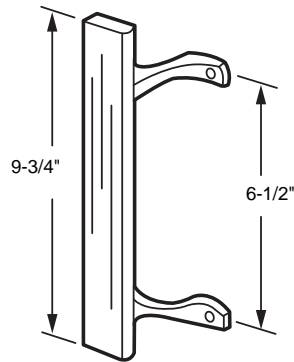


C-1047



*Call for
Availability*

C-1189
C-1190



C-1067
C-1161
C-1196

C-1189 (Aluminum)
C-1190 (Black)

Pull

Contents: 1 inside pull; installation fasteners.

Description: Hardwood pull with one piece diecast aluminum body on 6-1/2" hole centers.

C-1067 (Chrome plated)
C-1161 (Brass plated)
C-1196 (White)

Pull

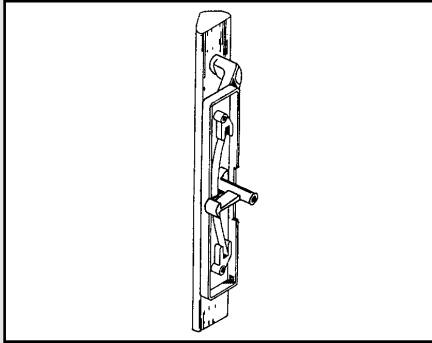
Contents: 1 inside pull; installation fasteners.

Description: Deluxe handle; diecast aluminum construction designed to be used with flush type locks.

You may also wish to stock these related parts: **C-1032, C-1033, C-1045, C-1075, C-1076.**

*The following pages offer
a comprehensive selection of:*

**Internal Lock
HANDLE SETS**



- C-1018** (Aluminum)
- C-1064** (Aluminum - keyed)
- C-1107** (Black)
- C-1132** (Black - keyed)
- C-1195** (White)
- C-1200** (White - keyed)

Handle Set

Contents: 1 inside pull and latch; 1 outside pull; 1 keeper; (1 locking cylinder); installation fasteners.

Description: Diecast aluminum with wood pull; designed to fit many doors; reversible right or left hand applications; complete with keeper; automatic unlatching feature prevents accidental lockout; fits 1" thick door rails; fits on Viking doors.

You may also wish to stock these related parts: **E-2054, E-2093.**

- C-1095** (Black)
- C-1194** (White)

Handle Set

Contents: 1 inside pull and latch; 1 outside pull; 1 keeper; installation fasteners.

Description: Diecast inside pull with wood handle; 3-1/2" hole centers; reversible; for left or right hand openings; automatic unlatching feature prevents "lock-out"; for 1" thick door rails.

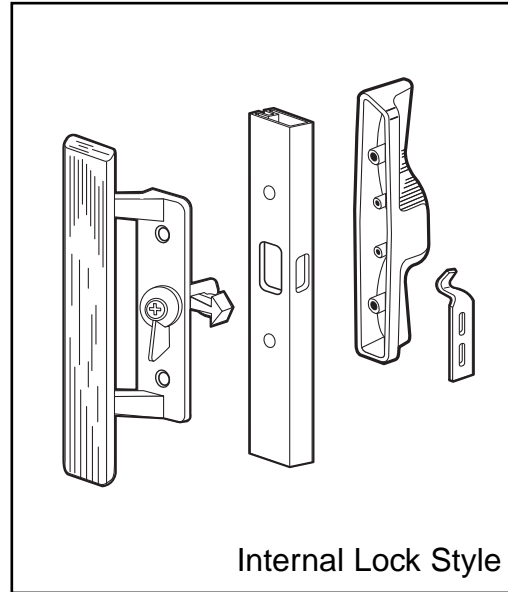
You may also wish to stock these related parts: **E-2000, E-2054.**

- C-1188** (Aluminum)

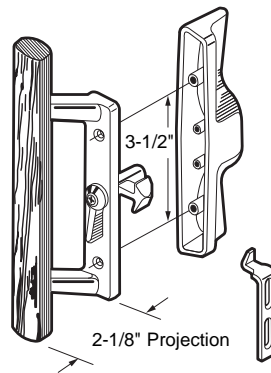
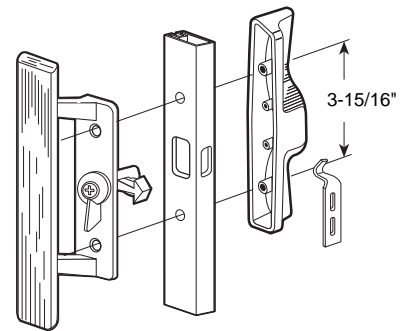
Handle Set

Contents: 1 inside pull and latch; 1 outside pull; 1 set of installation fasteners.

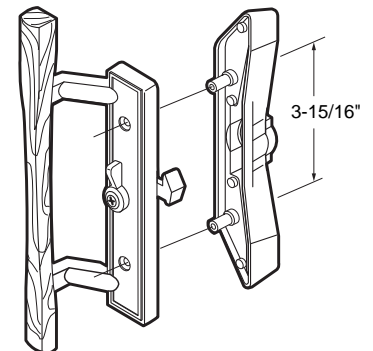
Description: Diecast inside pull with wood handle; diecast outside pull; universal handle set for 3-15/16" hole center replacement.



- C-1018**
- C-1064**
- C-1107**
- C-1132**
- C-1195**
- C-1200**

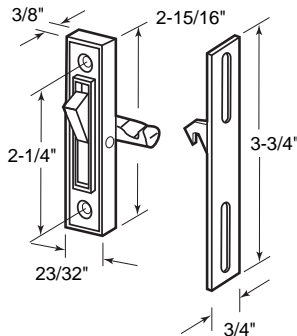
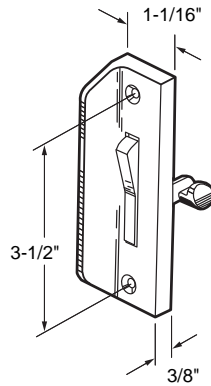


- C-1095**
- C-1194**



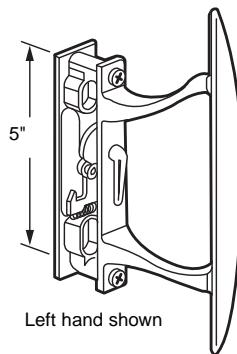
- C-1188**

C-1044

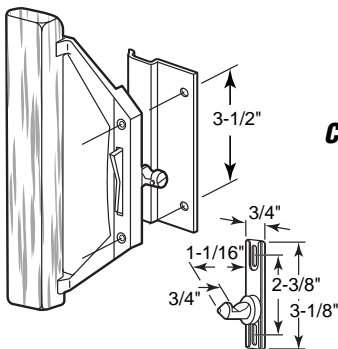


C-1053

**C-1065
C-1066**

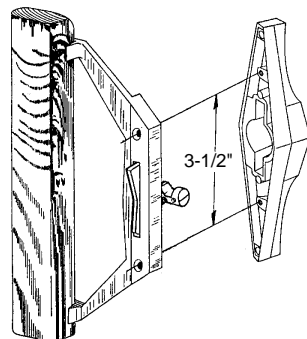


Left hand shown



C-1186

C-1025



C-1044 (Aluminum)

Latch and Pull

Contents: 1 latch / pull; 1 set of installation fasteners.

Description: Designed for *Trimview* doors; **diecast aluminum** housing.

You may also wish to stock these related parts: **E-2041, E-2063, E-2067, E-2068, E-2076.**

Call for
Availability

C-1053 (Black)

Latch

Contents: 1 latch; 1 keeper; 1 set of installation fasteners.

Description: For sliding doors where key control from outside will not be required; **plastic** escutcheon with **zinc diecast** bolt.

You may also wish to stock these related parts: **E-2041, E-2063, E-2067, E-2068, E-2076.**

Call for
Availability

C-1065 (Left)

C-1066 (Right)

Handle Set (Aluminum)

Contents: 1 inside pull and latch; 1 outside pull; 1 set of installation fasteners.

Description: Designed for *Tucker* doors; **diecast** inside pull with handle; **diecast** flush mount outside pull.

C-1186 (Aluminum)

Handle Set

Contents: 1 inside pull and latch; 1 outside pull; 1 keeper; installation fasteners.

Description: **Diecast** inside pull with **wood** handle; **extruded aluminum** outside pull; designed for *Trimview* and other manufacturers.

You may also wish to stock these related parts: **D-1587, E-2041, E-2067, E-2068, E-2076.**

C-1025 (Aluminum)

Handle Set

Contents: 1 inside pull and latch; 1 outside pull; installation fasteners.

Description: **Diecast** inside pull with **wood** handle; **diecast** outside pull; designed for *Burval, Trimview* and other manufacturers.

You may also wish to stock these related parts: **D-1587, E-2041, E-2067, E-2068, E-2076.**

The following pages offer
a comprehensive selection of:

Outside KEYED LOCKING UNIT HANDLES AND PULLS

C-1012 (Aluminum)

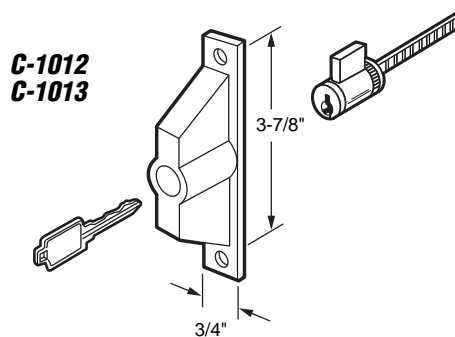
C-1013 (Black)

Pull and Keyed Locking Unit

Contents: 1 diecast outside pull; 1 locking cylinder with 2 keys; installation fasteners.

Description: This multifunctional locking unit will accommodate 2 popular hole center patterns (3-15/16" and 4-15/16"); the 3-15/16" spacing is designed for use with mortise lock installations using *Adam Rite* and *W & F* mortise locks; these holes are offset 1/8" from that of the locking cylinder hole; the 4-15/16" spacing allows application to a variety of surface mounted handle sets.

Note: Use to key lock **C-1014** and **C-1015** handle sets only (for *Ador-HiLite* doors).



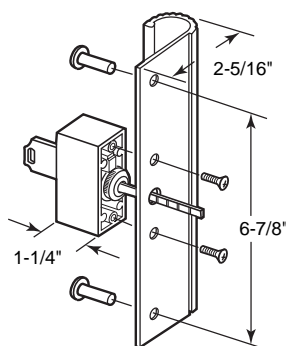
C-1037 (Aluminum)

Pull and Keyed Locking Unit

Contents: 1 extruded aluminum outside pull; 1 locking cylinder with 2 keys; installation fasteners.

Description: Universal design; outside pull with diecast key cylinder block.

You may also wish to stock these related parts: **C-1038**, **E-2000**, **E-2007**, **E-2027**, **E-2033**.



C-1037

C-1041 (Black)

C-1120 (White)

C-1121 (Almond)

Pull and Keyed Locking Unit

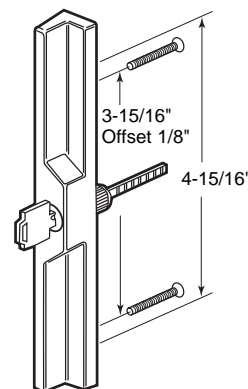
Contents: 1 painted diecast pull; 1 locking cylinder with 2 keys; installation fasteners.

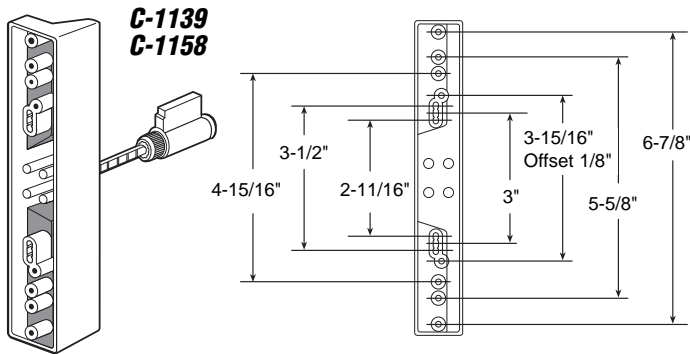
Description: This multifunctional locking unit will accommodate 2 popular hole centers patterns; the 4-15/16" spacing works on most surface mounted handle sets; the 3-15/16" is offset 1/8" from center and spacing was designed to work with *Adam Rite* and *W & F* and similar type mortise latches; it is non handed and tail piece is notched for various break-off lengths.

Can be used with the following handles: **C-1000**, **C-1001**, **C-1005**, **C-1006**, **C-1018**, **C-1027**, **C-1040**, **C-1060**, **C-1061**, **C-1064**, **C-1070**, **C-1071**, **C-1077**, **C-1079**.

You may also wish to stock these related parts: **C-1049**, **C-1056**, **C-1096**, **E-2000**.

C-1041
C-1120
C-1121





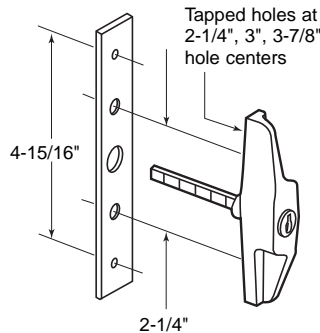
C-1139
C-1158

C-1139 (Black)
C-1158 (Gray)

Pull and Keyed Locking Unit (Diecast)

Contents: 1 outside pull; 1 locking cylinder; installation fasteners.

Description: This unique product is the most versatile locking unit available; it will accommodate 7 different hole spacing patterns (see illustration); the 3-15/16" hole spacing is designed for use with mortise lock installations using *Adam Rite* and *W & F* mortise locks; these holes are offset 1/8" from that of the locking cylinder hole; the spacing allows application to variety of handle sets.



C-1049
C-1157

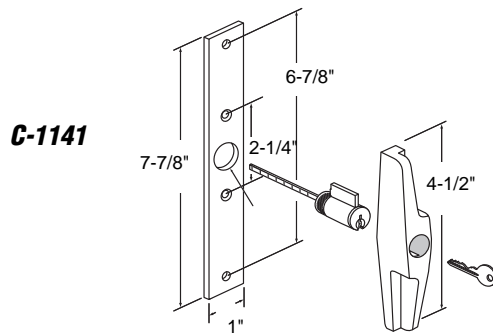
C-1049 (Aluminum)
C-1157 (Black)

Pull and Keyed Locking Unit

Contents: 1 zinc diecast outside pull; 1 aluminum cover plate; 1 locking cylinder with 2 keys; installation fasteners.

Description: Non-handed; universal design; outside pull; cover plate pre-drilled at 4-15/16" and 2-1/4" hole centers; can also be used on handles with 3" and 3-7/8" hole centers.

You may also wish to stock these related parts: **C-1000, C-1001, C-1005, C-1006, C-1020, C-1021, C-1023, C-1026, C-1060, C-1061, C-1070, C-1071, C-1079.**



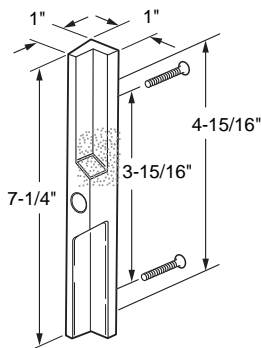
C-1141

C-1141 (Aluminum)

Pull and Keyed Locking Unit

Contents: 1 zinc diecast outside pull; 1 aluminum cover plate; 1 locking cylinder with 2 keys; installation fasteners.

Description: Non-handed locking unit; cover plate pre-drilled at 2-1/4" and 6-7/8" hole centers; fits *Daryl* and other glass doors.



C-1096
C-1113
C-1114

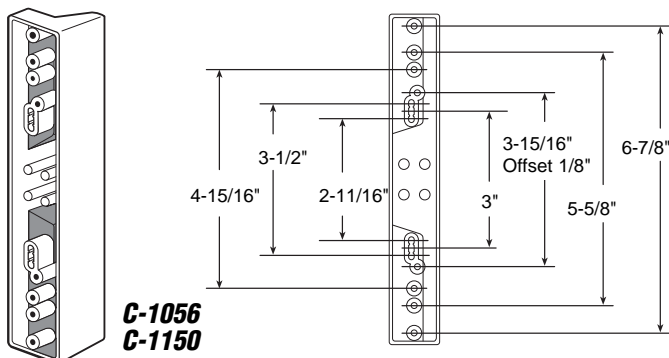
C-1096 (Black)
C-1113 (White)
C-1114 (Almond)

Outside Pull (Diecast)

Contents: 1 pull; 2 installation fasteners.

Description: Improves grip for opening door from outside; designed to be used with handle sets using 3-15/16" and 4-15/16" hole spacing.

You may also wish to stock these related parts: **C-1019, C-1041, C-1058, C-1091, E-2000, E-2074.**



C-1056
C-1150

C-1056 (Black)
C-1150 (Gray)

Outside Pull (Diecast)

Contents: 1 pull.

Description: This versatile outside pull will work with most handle sets (except for flush mount style); it offers 7 different hole center patterns from 2-5/8" to 6-7/8".

You may also wish to stock these related parts: **C-1096, E-2000, E-2074.**

Sliding Patio Door

C-1097 (Black)

C-1140 (White)

Outside Pull (Plastic)

Contents: 1 pull; installation fasteners.

Description: Improves grip for opening door from outside; designed to be used with handle sets using 3-15/16" and 4-15/16" hole spacing.

You may also wish to stock these related parts: **C-1019, C-1041, C-1058, C-1091, E-2000, E-2074.**

C-1010 (Aluminum)

C-1011 (Black)

Outside Pull

Contents: 1 diecast outside pull; installation fasteners.

Description: Designed for key locking *Ador/Hilite* doors; heavy duty unit; non-handed.

Can be used with the following handles: **C-1014, C-1015.**

You may also wish to stock these related parts: **E-2000.**

C-1087 (Black)

C-1207 (White)

Outside Pull

Contents: 1 outside pull; installation fasteners.

Description: Diecast, flush mount; knock-out plug to accept key cylinder **E-2000**; fits on doors by *International*.

You may also wish to stock these related parts: **C-1022, C-1055, C-1073, E-2000.**

C-1122 (Black)

C-1209 (White)

Outside Pull

Contents: 1 outside pull.

Description: Diecast, aluminum, outside pull; works on doors with 3-15/16" hole centers; drilled for #8-32 machine screws.

C-1136 (Aluminum)

C-1137 (Black)

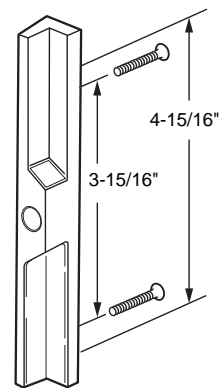
C-1138 (White)

Outside Pull

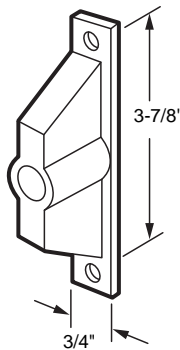
Contents: 1 outside pull; installation fasteners.

Description: Universal extruded aluminum outside pull for outside sliders.

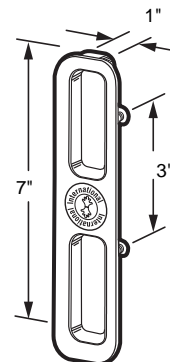
C-1097
C-1140



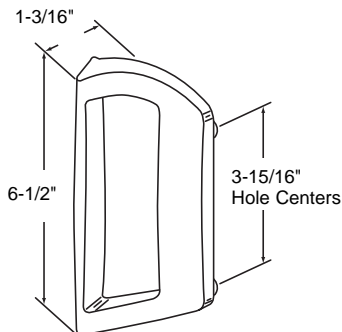
C-1010
C-1011



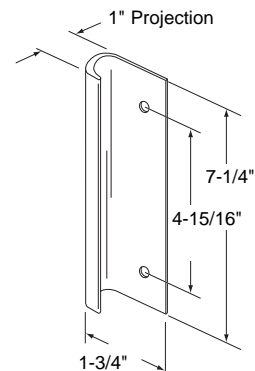
C-1087
C-1207



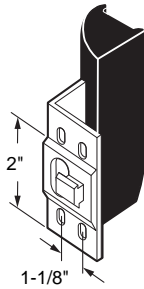
C-1122
C-1209



C-1136
C-1137
C-1138



C-1165

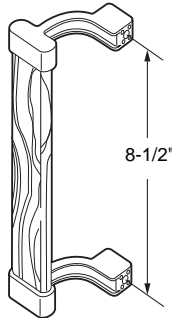


C-1165

Outside Pull

Contents: 1 pull.

Description: Diecast base with **black plastic** finger pull; fits on doors by *Capitol Door*.



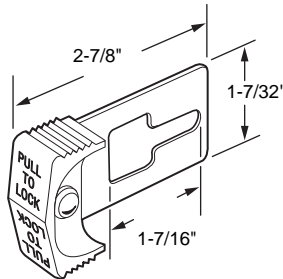
C-1166

C-1166 (Black)

Outside Pull

Contents: 1 outside pull.

Description: Diecast aluminum, with **wood** insert; fits on doors by *Capitol Door*.



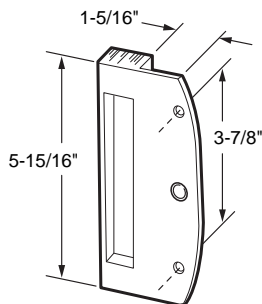
C-1167

C-1167

Locking Bar

Contents: 1 lock bar.

Description: Stamped steel bar with **plastic** finger pull; fits on doors by *Capitol Door*.



C-1081

C-1081 (Aluminum)

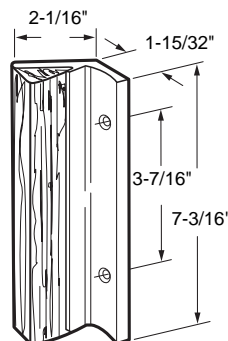
Pull

Contents: 1 pull.

Description: Diecast, low profile; **brushed aluminum finish**; knock-out plug for thumb turn when used as inside pull; 3-7/8" hole spacing.

Call for Availability

C-1082



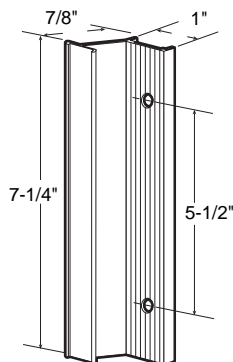
C-1082 (Black)

Outside Pull

Contents: 1 pull.

Description: Extruded aluminum handle with **wood** insert; fits many applications.

Call for Availability



C-1083

C-1083 (Aluminum)

Pull

Contents: 1 pull.

Description: Extruded aluminum handle; anodized finish.

Sliding Patio Door

C-1008 (Aluminum)

C-1009 (Black)

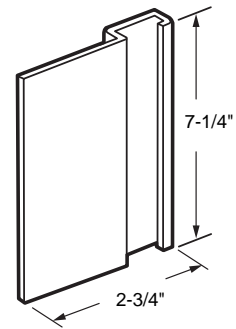
Outside Flush Pull

Contents: 1 pull; installation fasteners.

Description: Extruded aluminum pull; no holes; drill holes to meet any requirements.

You may also wish to stock these related parts: **E-2055, E-2057, E-2058, E-2059, E-2060.**

C-1008
C-1009



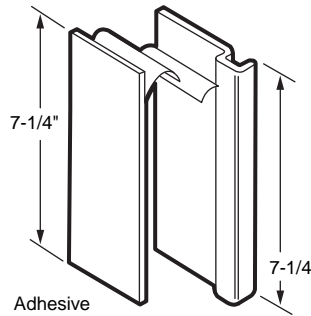
C-1062 (Aluminum)

C-1063 (Black)

Cover Plate and Pull

Contents: 1 inside cover plate; 1 outside pull.

Description: Extruded aluminum pull and plate; adhesive backed; covers up old holes in door frame to accommodate new handle; apply cover plates and re-drill for new hole spacing; also used to increase thickness of frame allowing old latch fasteners to tighten.



Adhesive backed inside & outside cover plate

C-1062
C-1063

To cover up holes in door frame that do not match new handle

151641 (Shell pattern)

151649 (Boat pattern)

151650 (Flag pattern)

Safety Strips

Contents: 2 each 11" strips per package.

Description: Colorful, distinctively patterned self-adhering strips; stick to glass door without adhesive; can easily be removed for cleaning the glass, and then replaced; provides a warning that the door is closed to prevent painful and dangerous collisions with the glass panel.

151641



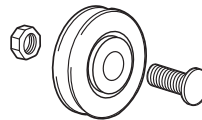
151649



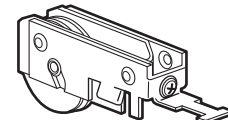
151650



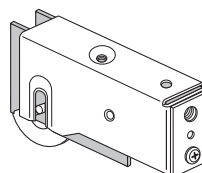
See our huge selection of rollers and roller assemblies.



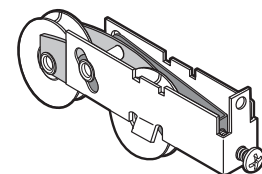
D-1502



D-1720



D-1831



D-1844